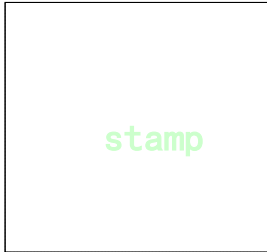


**OBALS SPECIFICATION**

**OBALS ELECTRICAL ILLUMINANCE CO.,LTD**

**Model No:YS-DL08M-S30W-80**



Formulate:		Review:		Approval:		Version:	
Date:		Date:		Date:		Date:	

## **>>Structure features**

- 1. New structure,compact and portable design. Superior heat emission structure with patented technology and power supply configuration, in full compliance with the standard of LM-80. The light can work efficiently and safety.**
- 2. 2. Seperated external power supply design, it can meet different requirements.**
- 3. 3. A wide range of power, color temperature and beam angle for your choose.**
- 4. 4. Varisized hole size for your optional, it can fully meet different requirements.**
- 5. ZHAGA International design, standard light source solution. Easy to install, easy to use.**

## **>>Application area**

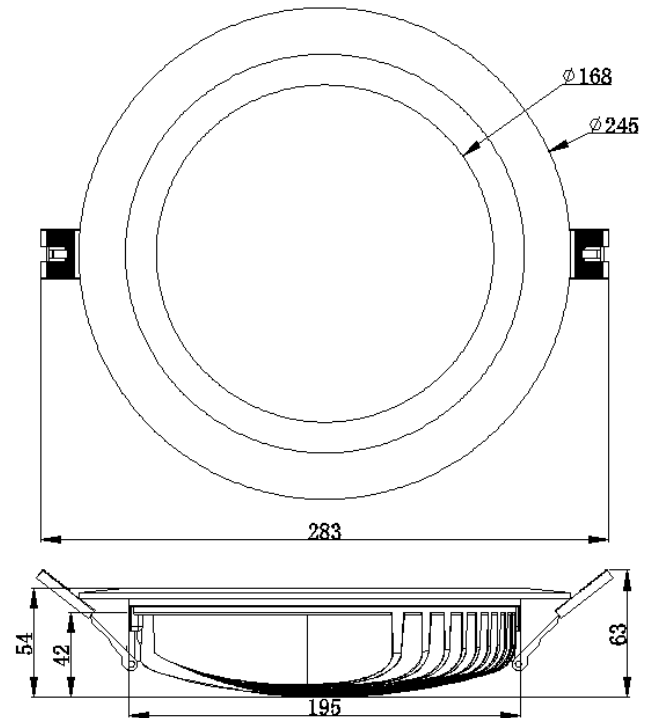
**Widely used in hotels, restaurants, hypermarkets, shops, offices,supermarkets, museums and residential lighting and so on.**

## >>Main technical parameters

NO	Item	Unit	Value
1	Input voltage	V	AC100-277
2	Frequency	Hz	50/60
3	Output voltage	V	DC27-42V
4	Output current	mA	700mA
5	PF		≥0.87

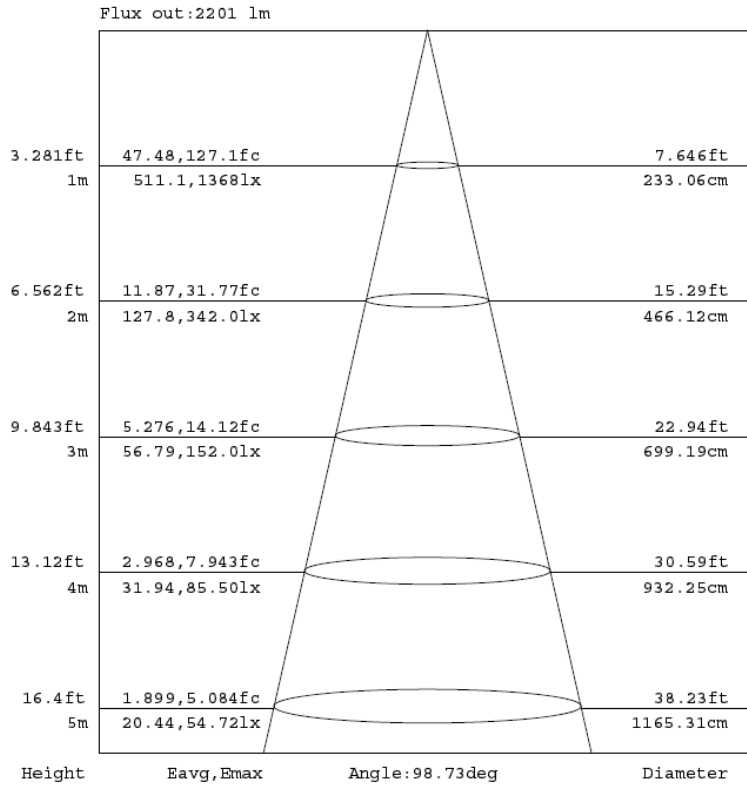
## >>Dimensions (mm)

1	Luminous flux	cool white	Lm	3311 ± 5%
		cool white		2810 ± 5%
		natural white		3030 ± 5%
		warm white		2750 ± 5%
2	Efficiency	cool white	lm/W	105 ± 5%lm/W
		cool white		96 ± 5%lm/W
		natural white		99 ± 5%lm/W
		warm white		90 ± 5%lm/W
3	CCT	cool white	K	6500
		cool white		5000
		natural white		4000
		warm white		3000
4	Ra			≥80
5	Beam angle			100°
6	Operating ambient temperature		℃	-20~ +40
7	Operating environment humidity			10-80%
8	Net weight/pcs		Kg	1.6
9	Dimensions		mm	φ245×54
10	Certification			SAA /CE/ ROHS
11	Power		W	30W±5%
12	Led chip			Samsung
13	IP grade			IP20

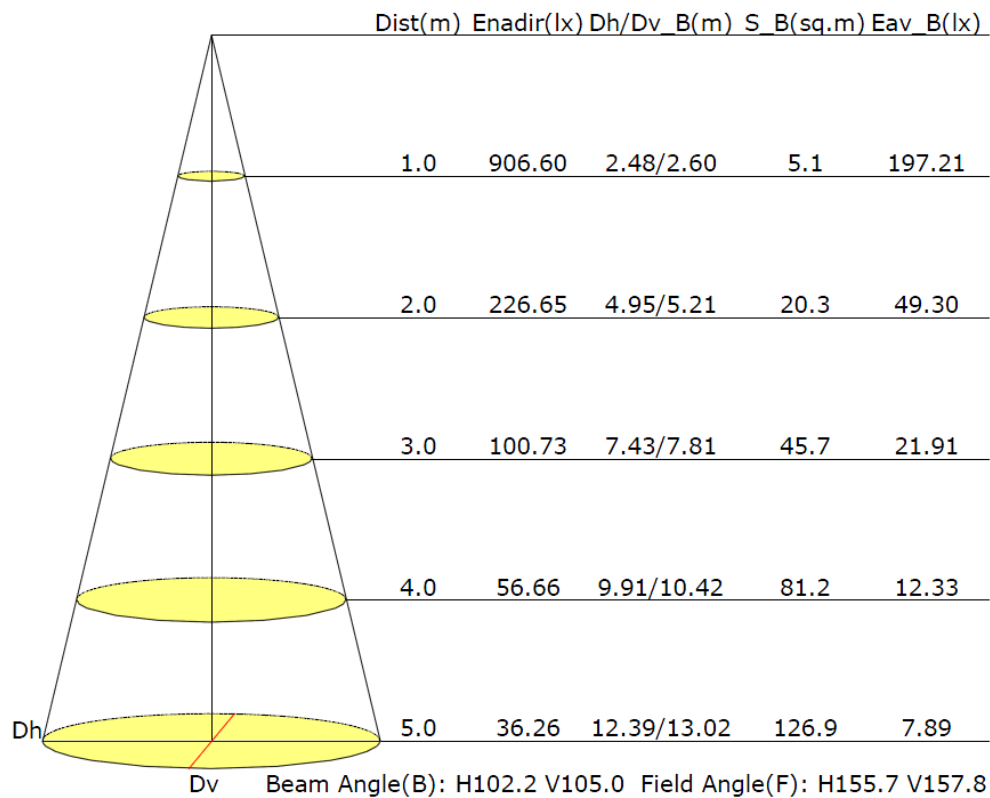


## >>Illumination intensity chart

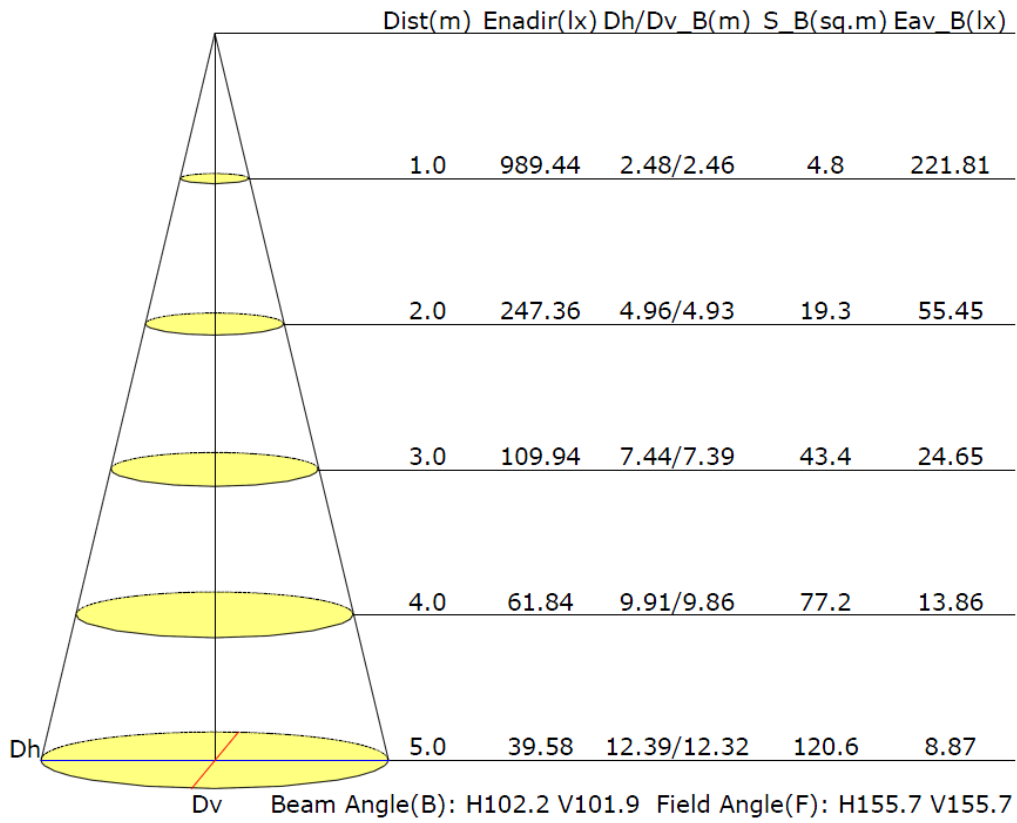
### Cool white



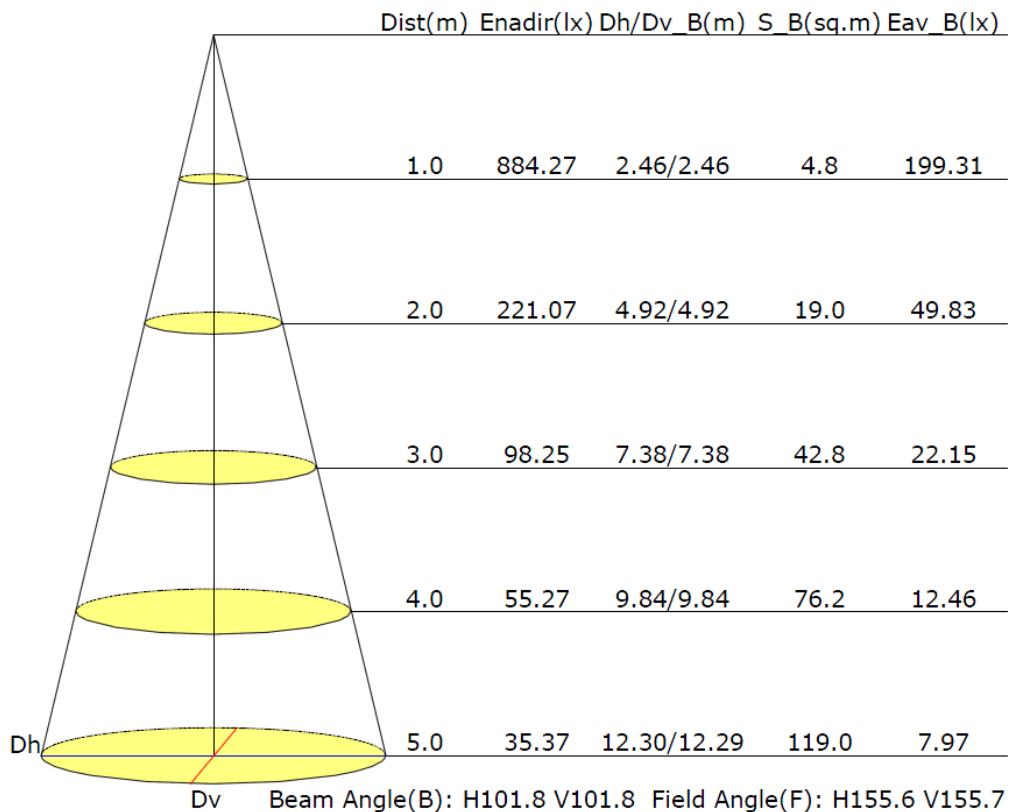
### Cool white



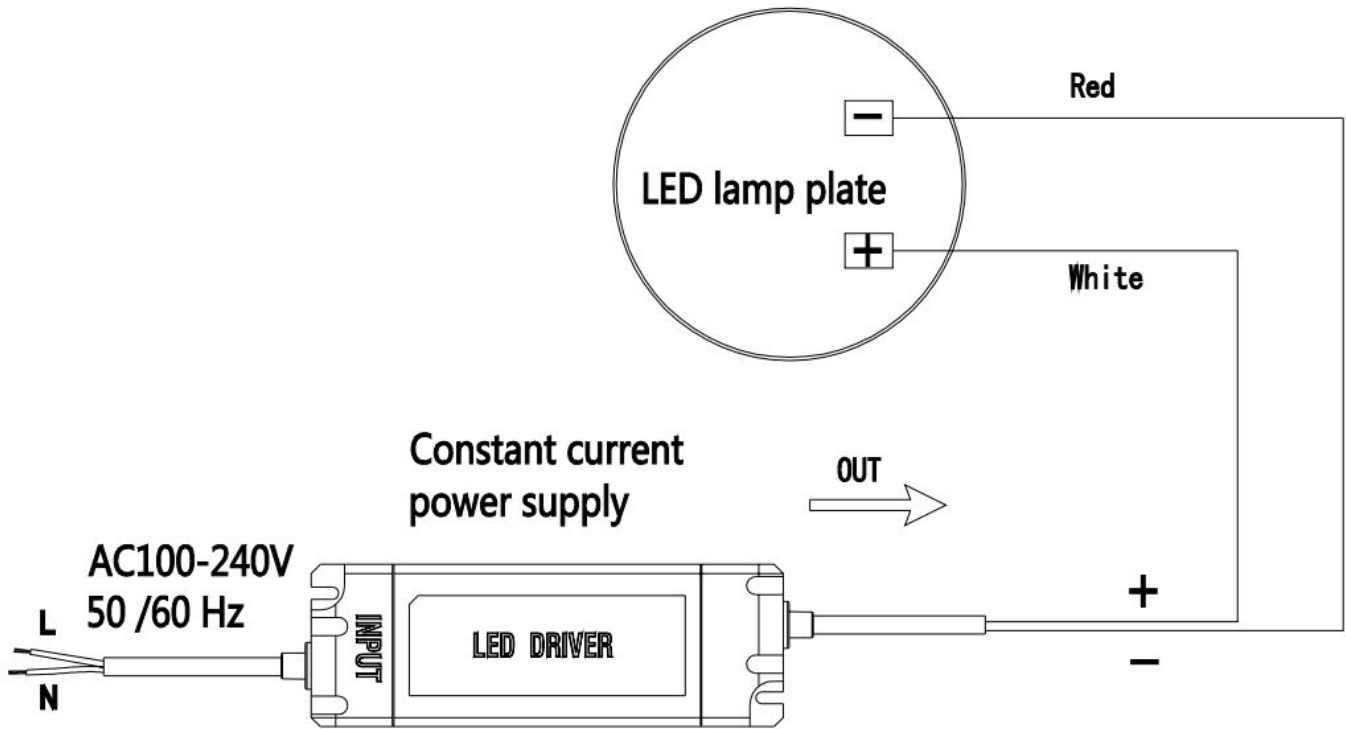
## Natural white



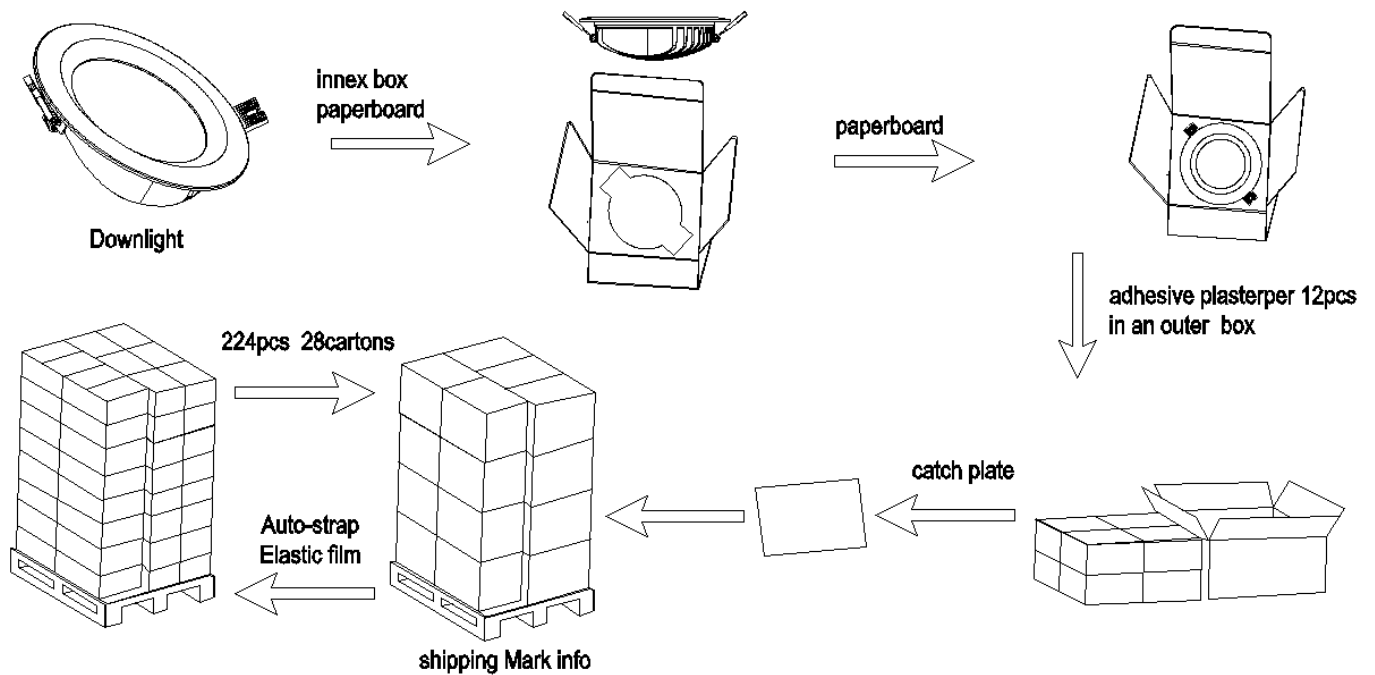
## Warm white



## >>Electrical connection



## >>Package diagram



## Packaging Parameters

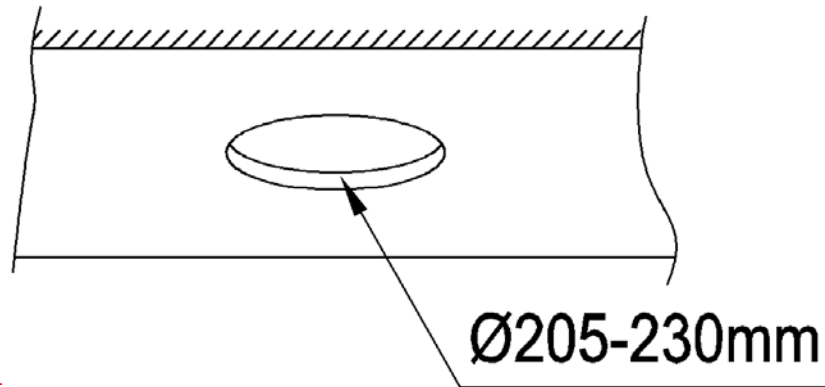
# OBALS ELECTRICAL ILLUMINANCE CO.,LTD

Quantity pcs/carton	12inner box*1pc downlight/inner box=12
Weight kg/carton	16.5kgs
Inner box size(mm)	280(L)×270(W)×75(H)
Carton size(mm)	585(L)×565(W)×245(H)

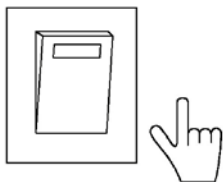
## >>Installation process(Notes)

**A1 Embedded**

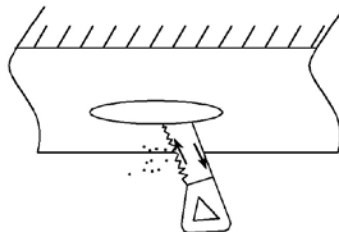
**A2 Cut out**



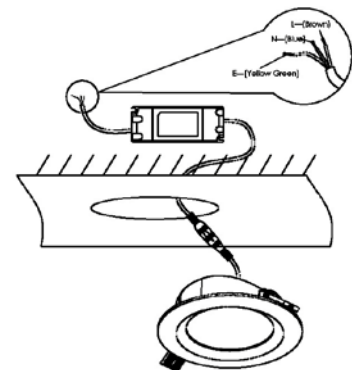
## >>Installation steps



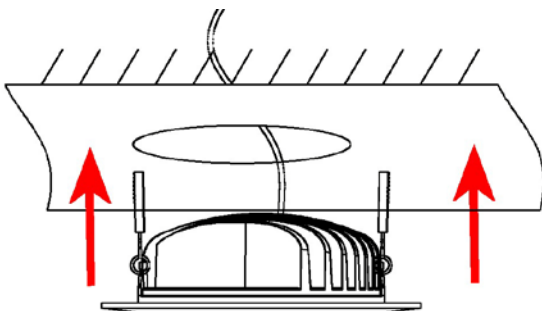
1. Isolate the power



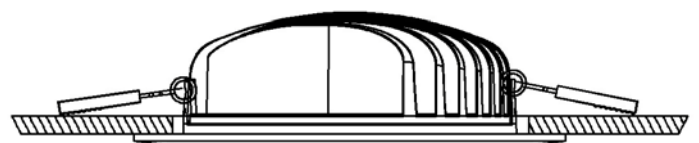
2.Create a circular cutout in the ceiling



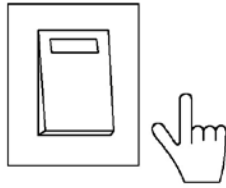
3.Please confirm the input terminal of luminaire connect with the external power according to the instruction picture.



4. Push both spring clips up and carefully insert the luminaire into the cutout.



5. Confirm the lamp whether installed well



Notes:

6. After install the luminaire, turn on the power switch.

- 1: All dimensions are in millimeters.
- 2: Tolerance is  $\pm 1$ mm unless otherwise specified.
- 3: Specifications are subject to change without notice.

## Warning

Please do not dismantle the lamps,if maintenance please ask professional and authorized officer to operate.

ZHONGSHAN OBALS ELECTRICAL ILLUMINANCE CO.,LTD      <http://www.obals.com>  
TEL: 0086-760-87550202    FAX: 0086-760-87550203  
ADD: XINMAO INDUSTRIAL ZONE,HENGLAN TOWN,ZHONGSHAN CITY,GUANDONG  
PROVINC