

OBO PRO.2 INC. 文件發行章

No. 224-9, LANE 105, YUNG-FENG ROAD, PA-TE CITY, TAOYUAN, TAIWAN, R.O.C.
 TEL:886-3-361-4436 FAX:886-3-361-4437
 E-MAIL:ooboo.com.tw Website:www.ooboo.com.tw

SPECIFICATION

1. SCOPE

This specification is applied to the piezoelectric diaphragm soldering with lead wire.

2. MODEL NO. : OBO-TW18236-16

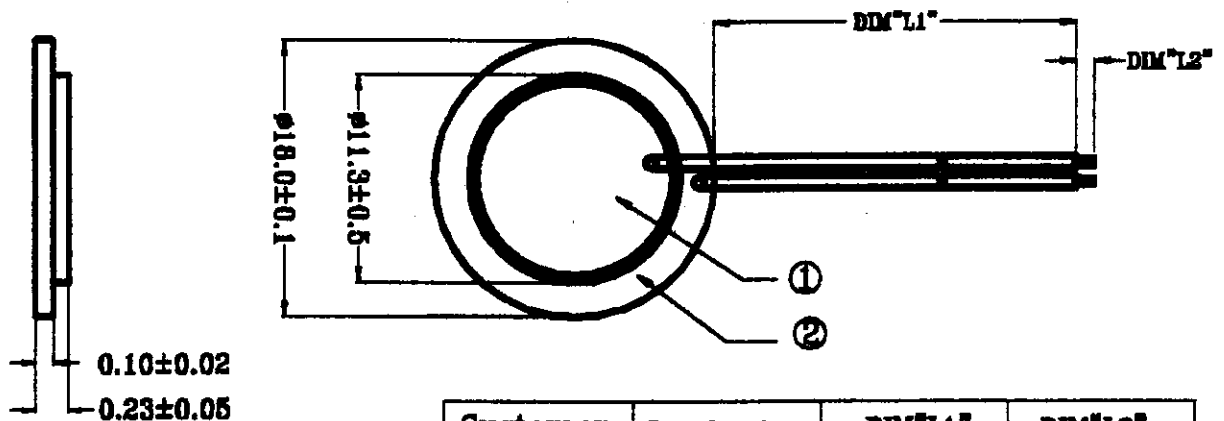
3. SPECIFICATION(at 25 °c)

- 3.1 Resonant Frequency : 3.6 ± 0.5 KHz
- 3.2 Resonant Resistance : 2,000 OHM max
- 3.3 Capacitance : 14,000pF ± 30% at 120Hz
- 3.4 Input Voltage : 20Vp-p max.
- 3.5 Operating Temperature : -20°C to +60°C
- 3.6 Storage Temperature : -20°C to +70°C
- 3.7 Dimension : as per Figure 1.

① Piezoelectric Ceramics

② Brass Plate

Figure 1. Unit :m.m



Customer	Lead wire	DIM"L1"	DIM"L2"
Standard	UL 1571 32AWG	82±5	3±1

Drawing by	Checked by	Approved by	DWG. NO.
林仲祥 8/16	啓弘 88.8.16 馮仁男	啓弘 88.8.16 馮仁男	STW096-A