



# TAIWAN OASIS LED DATA SHEET (FOR INFRARED)

PART NO. : TOIR-50b94bCEa

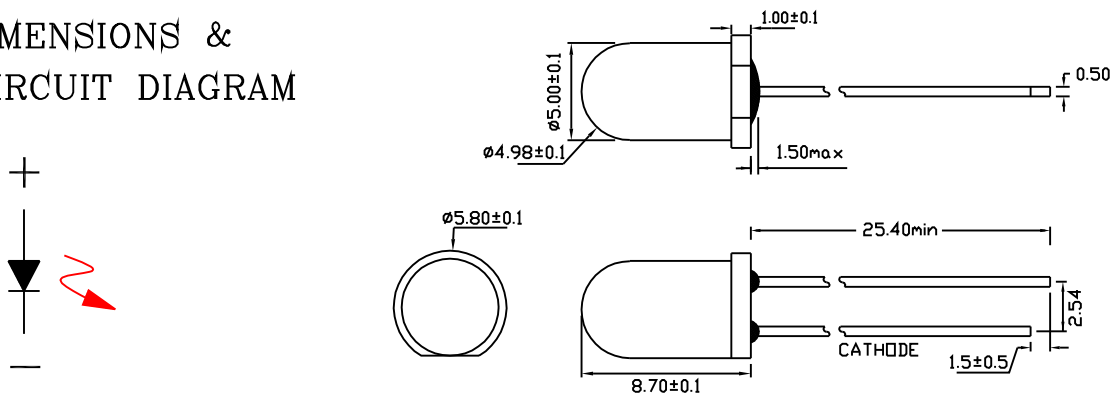
ABSOLUTE MAXIMUM RATINGS AT TA=25°C

PARAMETER	SYMBOL	DATA	UNIT
Forward Current	$I_{FM}$	100	mA
Peak Forward Current (duty=1:100, f=100KHZ)	$I_{FP}$	1000	mA
Reverse Voltage	$V_R$	6	V
Power Dissipation	$P_D$	150	mW
Operating Temperature Range		-25 to +85	°C
Storage Temperature Range		-30 to +85	°C
Lead Sold Temperature (1/10 Inch Below Seating Plane)		260°C for 3 sec.	

ELECTRICAL/OPTICAL CHARACTERISTICS AT TA=25°C

PARAMETER	SYMBOL	DATA	UNIT	TEST CONDITION
Radiated Output Power	$P_o(TYP.)$	12.0	mW	Distance: 10cm $I_F=50mA$ Detector Area: $1cm^2$
Forward Voltage	$V_F$	TYP: 1.25	V	$I_F=20mA$
		MAX: 1.45		
Wavelength	$\lambda_p$	940	nm	$I_F=20mA$
Spectrum Width of Half Value	$\Delta\lambda$	50	nm	$I_F=20mA$
Reverse Current	$I_R$	10	$\mu A$	$V_R=5V$
Full Viewing Angle	$2 \times \frac{1}{2}\theta$	25	°	$I_F=20mA$
Lens		Water Clear		
Radiation Material		GaAs/GaAs		

## PACKAGE DIMENSIONS & INTERNAL CIRCUIT DIAGRAM



DATE	01/10/01'	SCALE	2.5:1	TOLERANCE	$\pm 0.25$ ANGLE $\pm 6^\circ$	DRAWN	华明亮	CHECKED	
UNIT	M/M	SHEET NO.	1/2	DRAWING NO.	S-50b94bCEa-A	CUSTOMER		APPROVED	