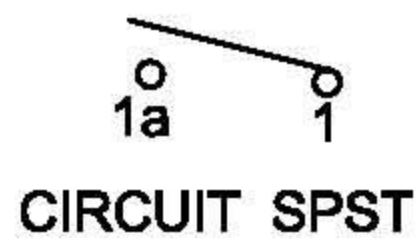
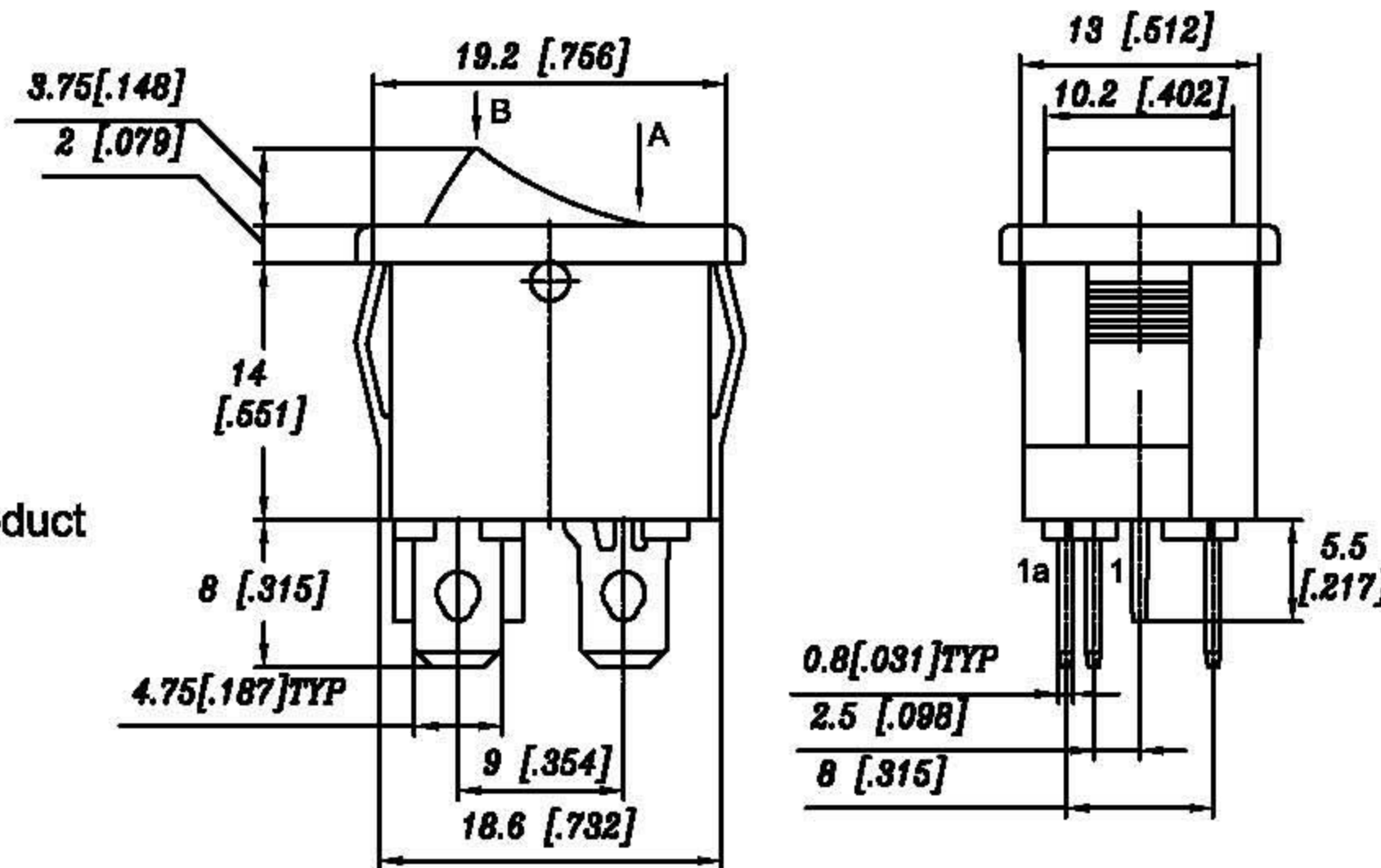
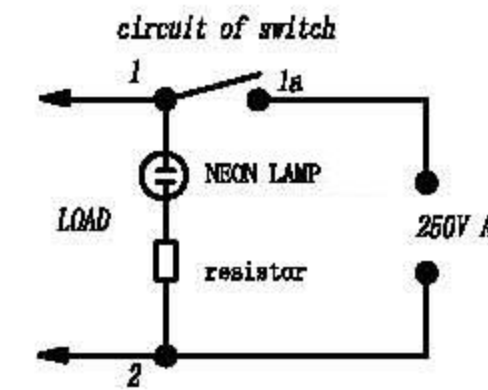
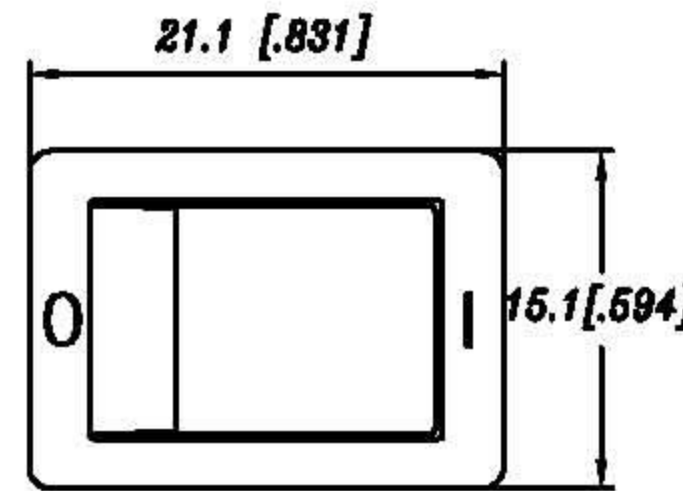


- 1 · All dimensions in mm [ Inch ]
- 2 · General tolerance :  $>10 \pm 0.4$   
 $<10 \pm 0.25$
- 3 · Electrical rating : 6A 250VAC & 9A 125VAC(UL)  
4(1)A 250V~ (VDE)
- 4 · Contact resistance :  $< 20\text{m}\Omega$ (initial)
- 5 · Insulation resistance :  $> 1000\text{M}\Omega$ (500VDC between open contacts)
- 6 · Dielectric strength :  $>1500\text{V}$  1 minute
- 7 · Mechanical life :  $>30000$  cycles
- 8 · Electrical life :  $>10000$  cycles
- 9 · Temperature rise at the terminal : Max.30°C
- 10 · Solder ability of terminal : Max350°C,3S(no pressure may be placed in the terminals when soldering by hand)
- 11 · Any Cd Pb Hg etc and it's compounds is not include in this product

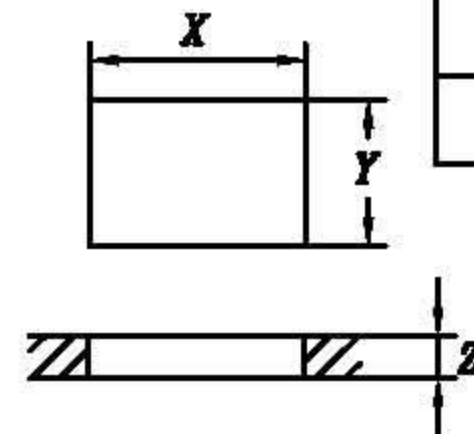


Color	Housing	Actuator
K(Black)	#	
W(White)		
R(Red)		
G(Gray)		
O(Orange)		
B(Blue)		
Y(III. Yellow)		
M(III. Green)		
F(III. Blue)		
T(III. White)		
D(III. Red)		#

POLE FUNCTION	OPTIONS OF FUNCTION		
	A	—	B
SPST	1-1a	—	OFF

•	—					—	△	ON
	○	○			○	○	○	OFF
A	B	C	D	E	F	G	H	I
					#			

PANEL CUT-OUT		
Z	Y	X
0.7~1.25 [ .028~.049 ]	12.90~13.10 [ .508~.515 ]	19.1~19.2 [ .752~.756 ]
1.25~2.0 [ .049~.079 ]	12.90~13.10 [ .508~.515 ]	19.3~19.4 [ .760~.764 ]
2.0~3.0 [ .079~.118 ]	12.90~13.10 [ .508~.515 ]	19.4~19.6 [ .764~.772 ]
3.0~4.0 [ .118~.157 ]	12.90~13.10 [ .508~.515 ]	19.6~19.8 [ .772~.780 ]



\* We keep the right to alter the dimension without notice.

Part NO.	R992KDFT2NF1	<b>LIGHT COUNTRY CO.,LTD</b>					
Dwg. NO.	R992-61110						
Series NO.	R19	Drawing	LIZHILI	Auditing	Wangchangjian		
Dwg.Name	Specification	Scale	2:1	Date	11/10/06	Page	