



## Rocker Switch R9(R19) Series



### SPECIFICATION

- Electrical Rating : 9A 125VAC 6A 250VAC (UL)  
4(1)A 250VAC (VDE)  
12(4)A 250VAC (VDE) - R9D, R9Y
- Mechanical life: Over 30000 cycles
- Electrical life: Over 10000 cycles
- Contact resistance: <20mΩ
- Insulation resistance: >1000MΩ
- High voltage resistance: >1500VAC 1 min.
- Ambient temperature: Terminal side -20 to +85°C  
Actuating side- 20 to +55°C
- Atmospheric humidity: Max.85%
- Actuating force: 4 to 8N(depends on different switch function)
- Flammability: UL94V-2
- Storage temperature: -30 to +80°C Max
- Temperature rise at the terminal: Max 30°C (UL1054)
- Solder ability of terminal: Max 350°C 3s

### MATERIALS

- Housing: PA 66
- Rocker: PC & PA66
- Contact: Silver alloy
- Terminal: Brass silver plated
- Lamp: Neon lamp, Tungsten lamp, LED
- Movable arm: Beryllium copper

### HOW TO ORDER

R9	1	2	K	K	E	T	0	0	F	1
Series	Switch Function	Rating	Housing Color	Actuator Color	Marking	Terminal	Lamp Voltage	Lamp Type	Safety Approval	
Series										
	2	6A 250V AC 9A 125V AC 4(1)A 250V AC	G Gray	○ ○		R R Type		0 No Lamp		
	5	12(4)A 250V AC	W White	○ ○		T T Type		L Led Lamp		
	1	ON-OFF (SPST)	K Black	○ ○		L L Type		T Tungsten Lamp		
	9	ON-OFF (SPST-With Lamp)	O Orange	○	See option of marking			N Transparent Neon Lamp		
	D	ON-OFF (DPST)	R Red	○			0 No Lamp	F Green Fluorescent Neon Lamp		
	Y	ON-OFF (DPST-With Lamp)	B Blue	○			1 125V AC	B Blue Fluorescent Neon Lamp		
			Y Yellow(III.)	○			2 250V AC		F 4 Safety Approvals	
			M Green(III.)	○			3 12V DC		E None Approval	
			F Blue(III.)	○			4 24V DC			1 No Barrier Between Terminals
			D Red(III.)	○			5 48V DC			2 With One Barrier Between Terminals
							6 6V DC			3 With Cross Barrier Between Terminals
							7 3V DC			
							8 72V DC			



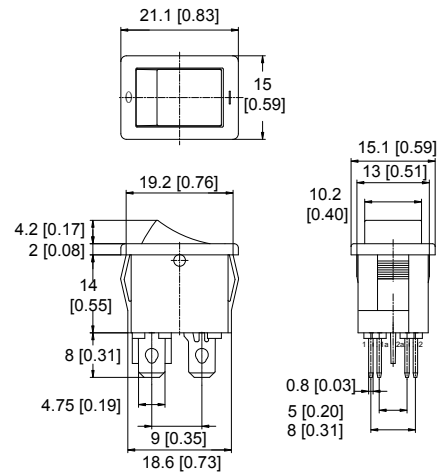
## Rocker Switch R9(R19) Series



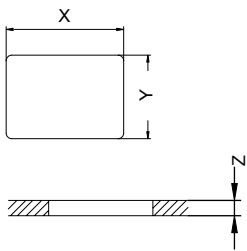
### Option of switch function

Item Number:	Poles & Throws	Rocker Position		
R91	SPST	ON	NONE	OFF
R99	SPST (WITH LAMP)	ON	NONE	OFF
R9D	DPST	ON	NONE	OFF
R9Y	DPST (WITH LAMP)	ON	NONE	OFF
R9I	Indicator			
R9B	The block sealed on the panel			

### Dimension



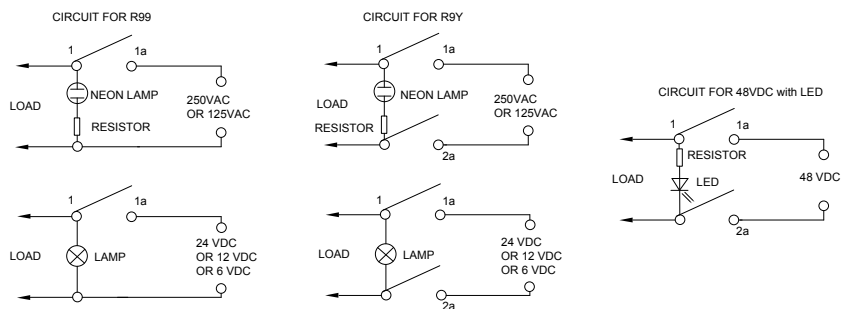
### Panel cut out



Z	Y	X
0.7~1.25	12.8~12.9	19.2~19.3
1.25~2.0	12.8~12.9	19.3~19.4
2.0~3.0	12.8~12.9	19.5~19.6

### Circuit of switch with Lamp & Led

- For circuit of 250VAC, 125VAC with neon lamp
- For circuit of 24 VDC, 12 VDC, 6 VDC, 3 VDC with lamp
- For circuit of 48 VDC with LED



### Terminal type

