

# R13 SERIES SWITCHES

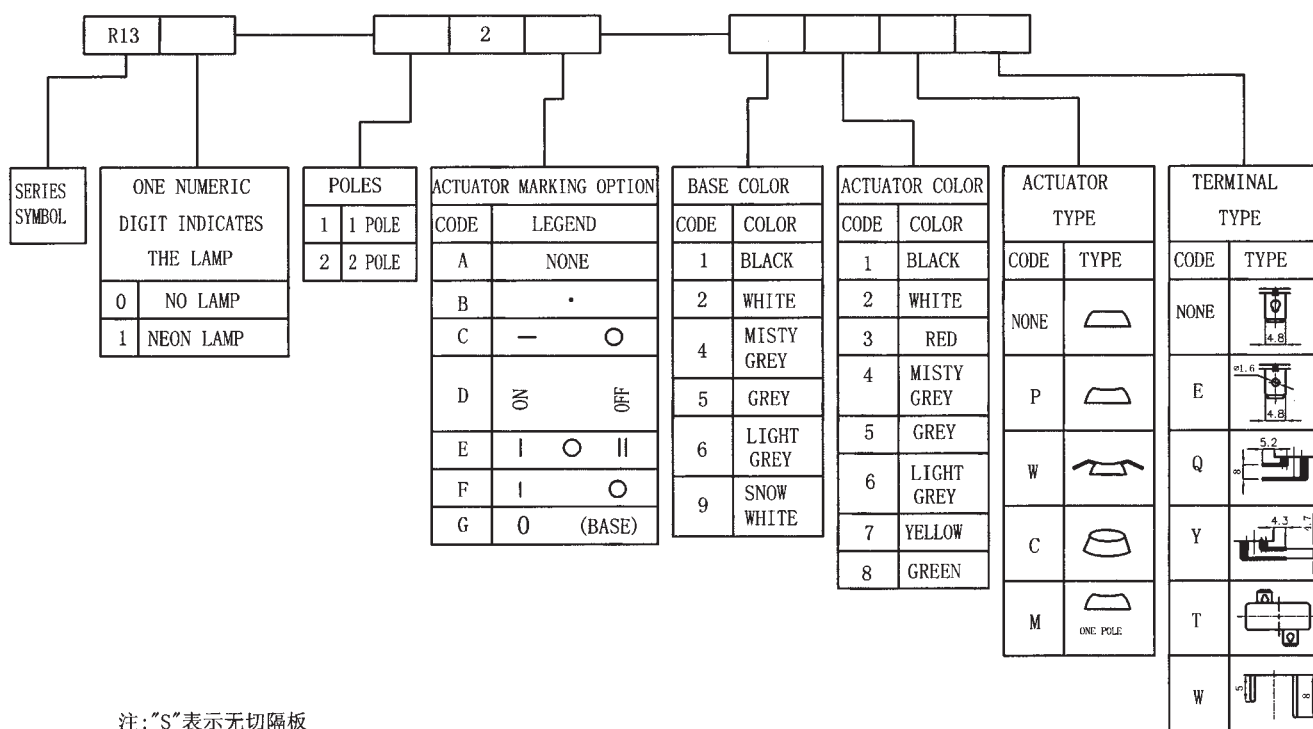


APPROVED

## SPECIFICATION

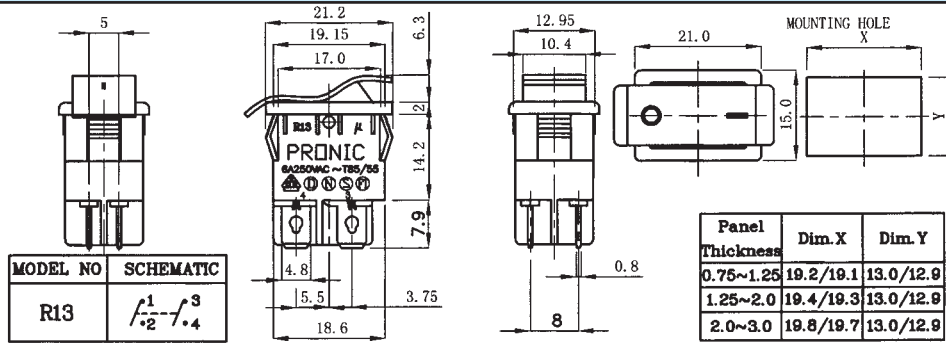
Contact Rating : 10A 125VAC 8A 250VAC (UL, CE)  
 : 10A 125VAC 5A 250VAC (UL, CE)  
 : 6A 250V~IT85 (UL, CE, IEC, VDE, BS, GOST)  
 Initial Contact Resistance: 50 milliohms max.

Insulation Resistance : 500 megohms min. 500VDC  
 Withstand Voltage : 2,000 VAC-1 minute  
 Life Expectancy : 10,000 Cycles  
 Operating Force : 1 pole 300±200gf  
 : 2 pole 600±200gf

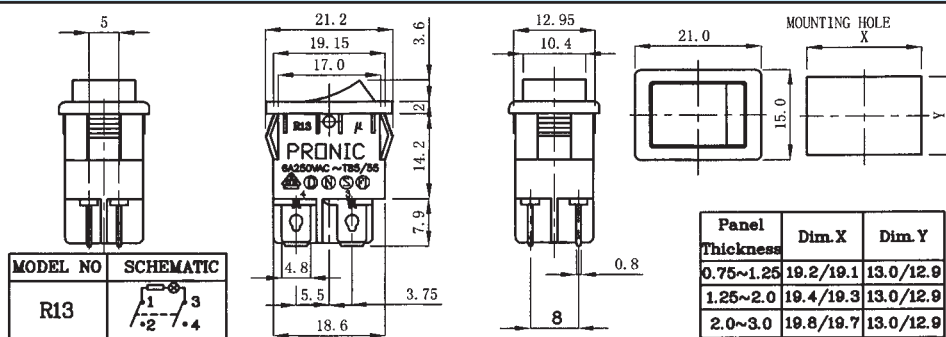


注：“S”表示无切隔板

R130-22C-11W




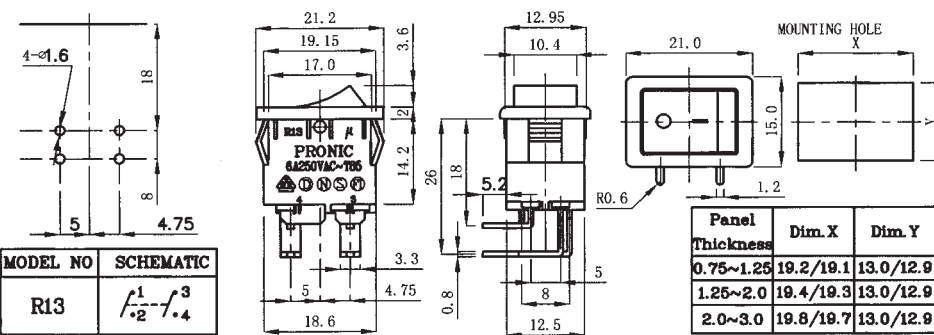
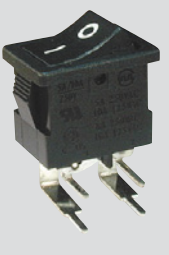
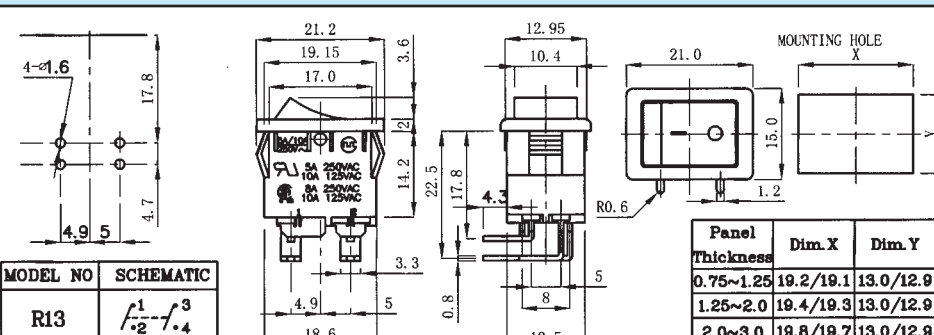

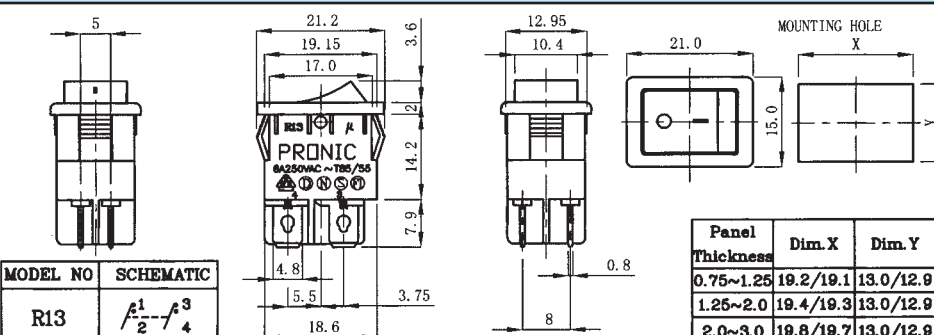

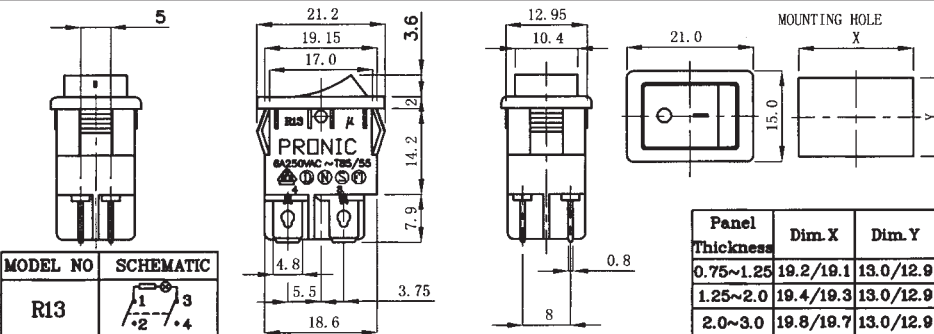
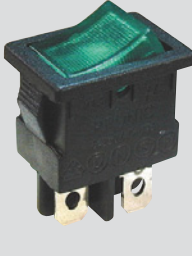
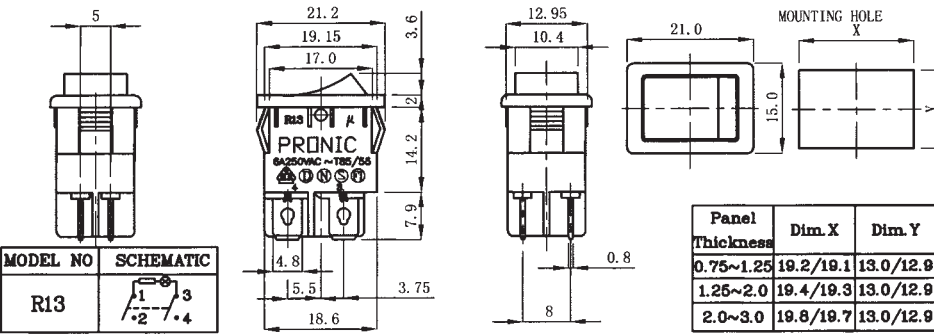
R131-22A-23P



# R13 SERIES SWITCHES

## MODEL

## OUTLINE DRAWING

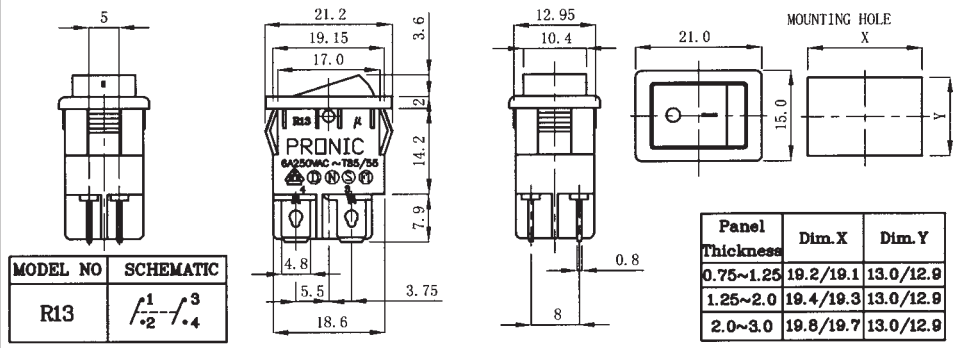
<p>R130-22C-11PQ</p> 	 <table border="1" data-bbox="1428 890 1648 1009"> <thead> <tr> <th>Panel Thickness</th> <th>Dim. X</th> <th>Dim. Y</th> </tr> </thead> <tbody> <tr> <td>0.75~1.25</td> <td>19.2/19.1</td> <td>13.0/12.9</td> </tr> <tr> <td>1.25~2.0</td> <td>19.4/19.3</td> <td>13.0/12.9</td> </tr> <tr> <td>2.0~3.0</td> <td>19.8/19.7</td> <td>13.0/12.9</td> </tr> </tbody> </table>	Panel Thickness	Dim. X	Dim. Y	0.75~1.25	19.2/19.1	13.0/12.9	1.25~2.0	19.4/19.3	13.0/12.9	2.0~3.0	19.8/19.7	13.0/12.9
Panel Thickness	Dim. X	Dim. Y											
0.75~1.25	19.2/19.1	13.0/12.9											
1.25~2.0	19.4/19.3	13.0/12.9											
2.0~3.0	19.8/19.7	13.0/12.9											
<p>R130-22C-11PY</p> 	 <table border="1" data-bbox="1428 1246 1648 1365"> <thead> <tr> <th>Panel Thickness</th> <th>Dim. X</th> <th>Dim. Y</th> </tr> </thead> <tbody> <tr> <td>0.75~1.25</td> <td>19.2/19.1</td> <td>13.0/12.9</td> </tr> <tr> <td>1.25~2.0</td> <td>19.4/19.3</td> <td>13.0/12.9</td> </tr> <tr> <td>2.0~3.0</td> <td>19.8/19.7</td> <td>13.0/12.9</td> </tr> </tbody> </table>	Panel Thickness	Dim. X	Dim. Y	0.75~1.25	19.2/19.1	13.0/12.9	1.25~2.0	19.4/19.3	13.0/12.9	2.0~3.0	19.8/19.7	13.0/12.9
Panel Thickness	Dim. X	Dim. Y											
0.75~1.25	19.2/19.1	13.0/12.9											
1.25~2.0	19.4/19.3	13.0/12.9											
2.0~3.0	19.8/19.7	13.0/12.9											
<p>R130-22C-11P</p> 	 <table border="1" data-bbox="1428 1602 1648 1721"> <thead> <tr> <th>Panel Thickness</th> <th>Dim. X</th> <th>Dim. Y</th> </tr> </thead> <tbody> <tr> <td>0.75~1.25</td> <td>19.2/19.1</td> <td>13.0/12.9</td> </tr> <tr> <td>1.25~2.0</td> <td>19.4/19.3</td> <td>13.0/12.9</td> </tr> <tr> <td>2.0~3.0</td> <td>19.8/19.7</td> <td>13.0/12.9</td> </tr> </tbody> </table>	Panel Thickness	Dim. X	Dim. Y	0.75~1.25	19.2/19.1	13.0/12.9	1.25~2.0	19.4/19.3	13.0/12.9	2.0~3.0	19.8/19.7	13.0/12.9
Panel Thickness	Dim. X	Dim. Y											
0.75~1.25	19.2/19.1	13.0/12.9											
1.25~2.0	19.4/19.3	13.0/12.9											
2.0~3.0	19.8/19.7	13.0/12.9											
<p>R131-22C-13P</p> 	 <table border="1" data-bbox="1428 1958 1648 2077"> <thead> <tr> <th>Panel Thickness</th> <th>Dim. X</th> <th>Dim. Y</th> </tr> </thead> <tbody> <tr> <td>0.75~1.25</td> <td>19.2/19.1</td> <td>13.0/12.9</td> </tr> <tr> <td>1.25~2.0</td> <td>19.4/19.3</td> <td>13.0/12.9</td> </tr> <tr> <td>2.0~3.0</td> <td>19.8/19.7</td> <td>13.0/12.9</td> </tr> </tbody> </table>	Panel Thickness	Dim. X	Dim. Y	0.75~1.25	19.2/19.1	13.0/12.9	1.25~2.0	19.4/19.3	13.0/12.9	2.0~3.0	19.8/19.7	13.0/12.9
Panel Thickness	Dim. X	Dim. Y											
0.75~1.25	19.2/19.1	13.0/12.9											
1.25~2.0	19.4/19.3	13.0/12.9											
2.0~3.0	19.8/19.7	13.0/12.9											
<p>R131-22A-18P</p> 	 <table border="1" data-bbox="1428 2315 1648 2433"> <thead> <tr> <th>Panel Thickness</th> <th>Dim. X</th> <th>Dim. Y</th> </tr> </thead> <tbody> <tr> <td>0.75~1.25</td> <td>19.2/19.1</td> <td>13.0/12.9</td> </tr> <tr> <td>1.25~2.0</td> <td>19.4/19.3</td> <td>13.0/12.9</td> </tr> <tr> <td>2.0~3.0</td> <td>19.8/19.7</td> <td>13.0/12.9</td> </tr> </tbody> </table>	Panel Thickness	Dim. X	Dim. Y	0.75~1.25	19.2/19.1	13.0/12.9	1.25~2.0	19.4/19.3	13.0/12.9	2.0~3.0	19.8/19.7	13.0/12.9
Panel Thickness	Dim. X	Dim. Y											
0.75~1.25	19.2/19.1	13.0/12.9											
1.25~2.0	19.4/19.3	13.0/12.9											
2.0~3.0	19.8/19.7	13.0/12.9											

# R13 SERIES SWITCHES

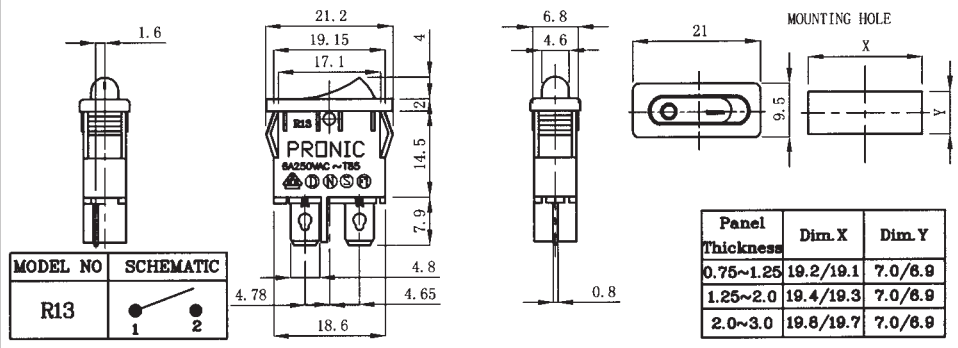
## MODEL

## OUTLINE DRAWING

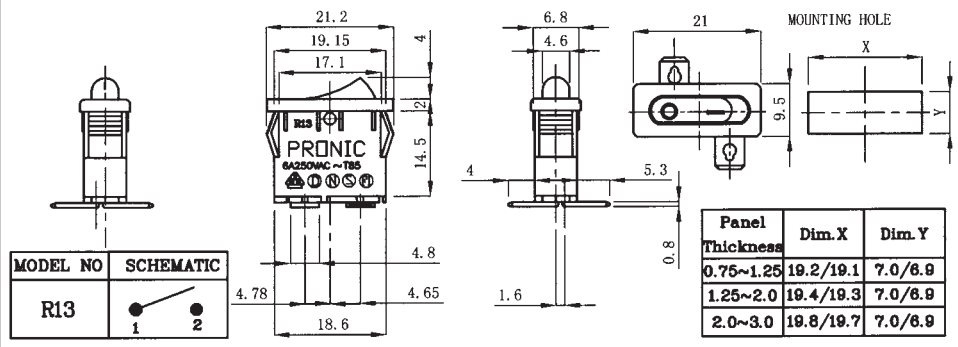
R130-22C-11



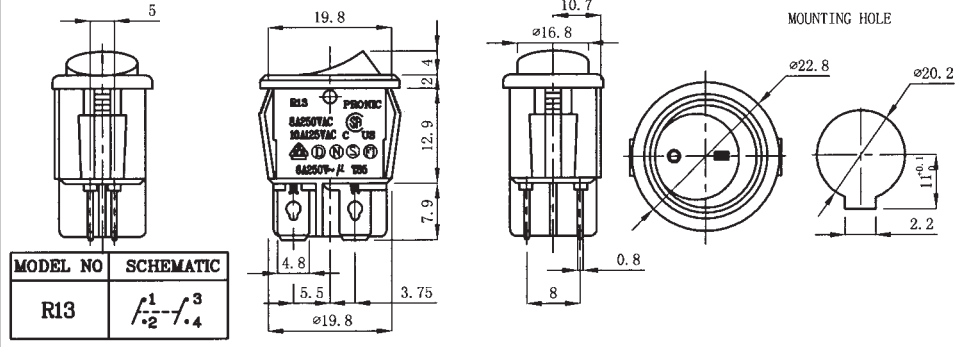
R130-12C-11M



R130-12C-11MT-S



R130-22C-11C



R131-22C-13C

