



LED Tube Specification

Product Name: SMD2835 LED tube

Item Number: LSD018WIIG13



Add: 3rd Building, C1 Area, Luoshan Industrial Park,
Pinghu Town, Longgang District, Shenzhen City, China.

Tel: +86-755-89822286/84682177

Fax: +86-755-89355831-604

Web: www.ledstaring.com

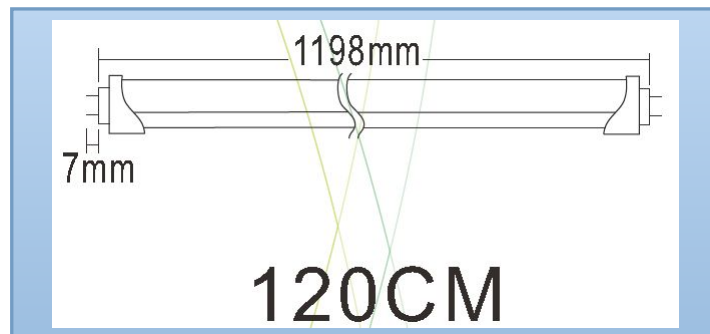


Features

- Adopt SMD2835 LEDs, High lumen output. & low power consumption.
- Using Flicker-free LED driver with high power factor better protect vision.
- Aviation aluminum alloy + imported PC cover good for heat dissipation.
- 3 yrs warranty, long lifespan can reach 50,000 hrs.



Dimension

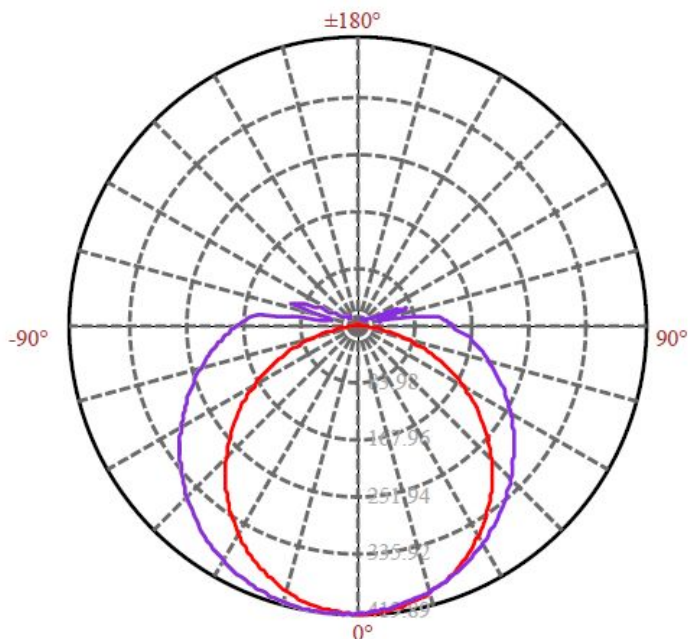


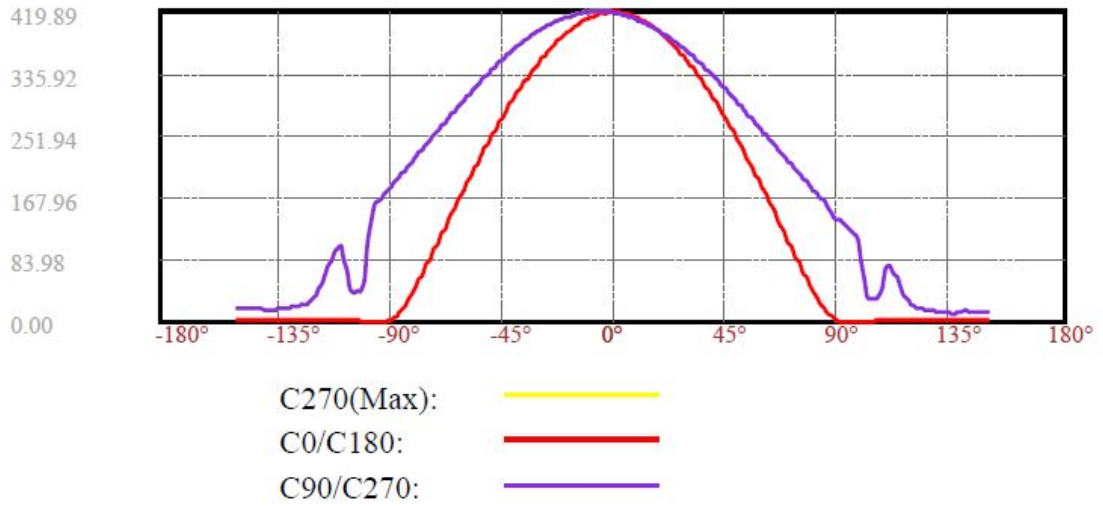
Parameter

- LED type: SMD2835, 96pcs
- Power :18W
- Dimension: Φ 26mm*1198mm
- Input voltage(V): 90~260V AC, EMC driver
- Color index : \geq 80Ra
- Efficiency: \geq 90%
- Frequency: 47 ~63Hz
- Decay: <3% within 6000Hrs
- Life Span: \geq 50,000H
- Material: Aluminum alloy + PC cover
- IP rating: IP20
- Humidity:5 ~95% R.H.
- Working temperature: -20~55 $^{\circ}$ C
- Storage temperature: -40~85 $^{\circ}$ C
- Warranty:3 years
- THD: 15%~18%

Model	Power	LED type	Lumen	CRI	CCT	Input Voltage	Beam Angle
LSD018WIIG13	18W	SMD2835	1980 lm	80Ra	2800-6500k	AC90-260V	120 $^{\circ}$ /150 $^{\circ}$

Light distribution





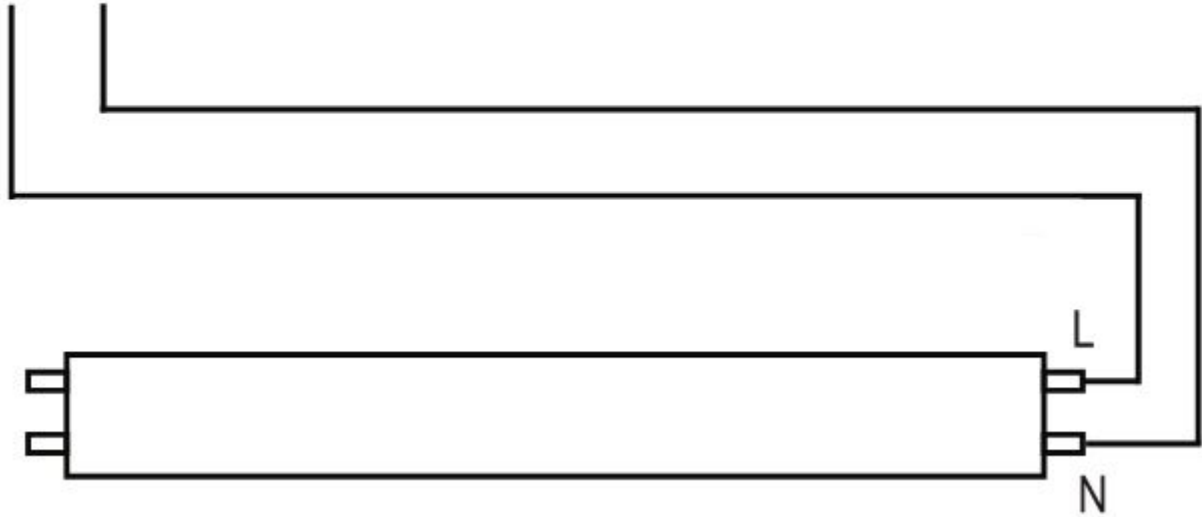
Illumination diagram

Illuminance at a Distance				
	Center Beam LUX	Beam Width		
		V	H	
2m	104.78 LUX	16.8m	5.8m	
4m	26.20 LUX	33.5m	11.6m	
6m	11.64 LUX	50.3m	17.5m	
8m	6.55 LUX	67.1m	23.3m	
10m	4.19 LUX	83.9m	29.1m	
12m	2.91 LUX	100.6m	34.9m	
Vert.Spread:153.3		Horiz.Spread:111.0		



Installation Methods

AC 90-260V



Remark:

- ◆ Pls cut off the electrical power when install or remove the light under professional technician's instruction.
- ◆ Make sure the lamp is suitable to the AC power supply.
- ◆ Pls do not install the lamp in high temperature and moist place;make sure there have less than 75mm distance around the lamp to have a good heat dissipation.
- ◆ At any time,do not cover the lamp by insulation blanket or similar material.

Application

