



# LED Tube Specification

Product Name: SMD2835 LED tube

Item Number: LSD009WIIG13



**Add:** F3rd Building, C1 Area, Luoshan Industrial Park,  
Pinghu Town, Shenzhen City, China.

**Tel:** +86-755-89822286/84682177

**Fax:** +86-755-84682177

**Web:** [www.ledstaring.com](http://www.ledstaring.com)

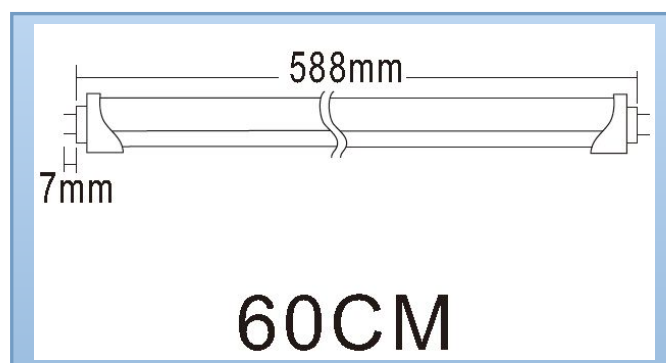


## Features

- Adopt SMD2835 LEDs, High lumen output. & low power consumption.
- Using Flicker-free LED driver with high power factor better protect vision.
- Aviation aluminum alloy + imported PC cover good for heat dissipation.
- 3 yrs warranty, long lifespan can reach 50,000 hrs.



## Dimension

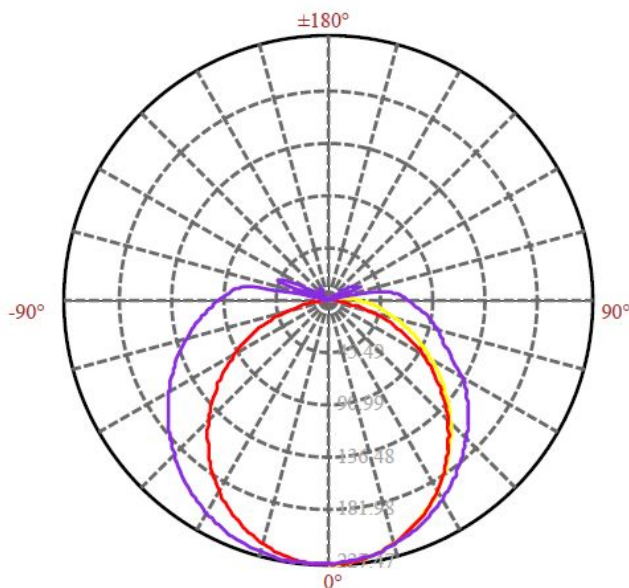


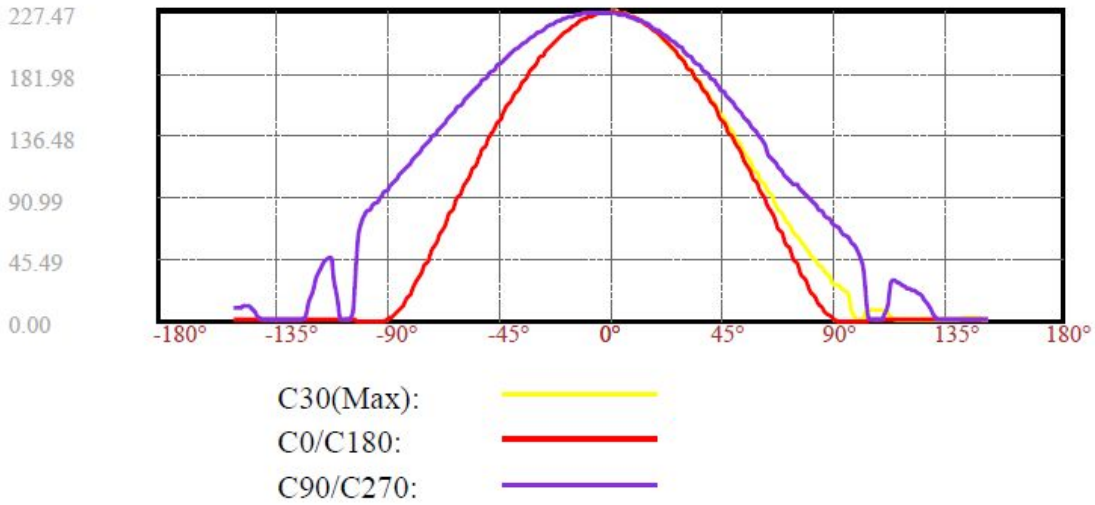
### Parameter

- LED type: SMD2835, 48pcs
- Power :9W
- Dimension:  $\Phi$  26mm\*588mm
- Input voltage(V): 90~260V AC EMC driver
- Color index :  $\geq$ 80Ra
- Efficiency:  $\geq$ 90%
- Frequency: 47 ~63Hz
- Decay: <3% within 6000Hrs
- Life Span:  $\geq$ 50,000H
- Material: Aluminum alloy + PC cover
- IP rating: IP20
- Humidity:5 ~95% R.H.
- Working temperature: -20~55°C
- Storage temperature: -40~85°C
- Warranty:3 years
- THD: 15%~18%

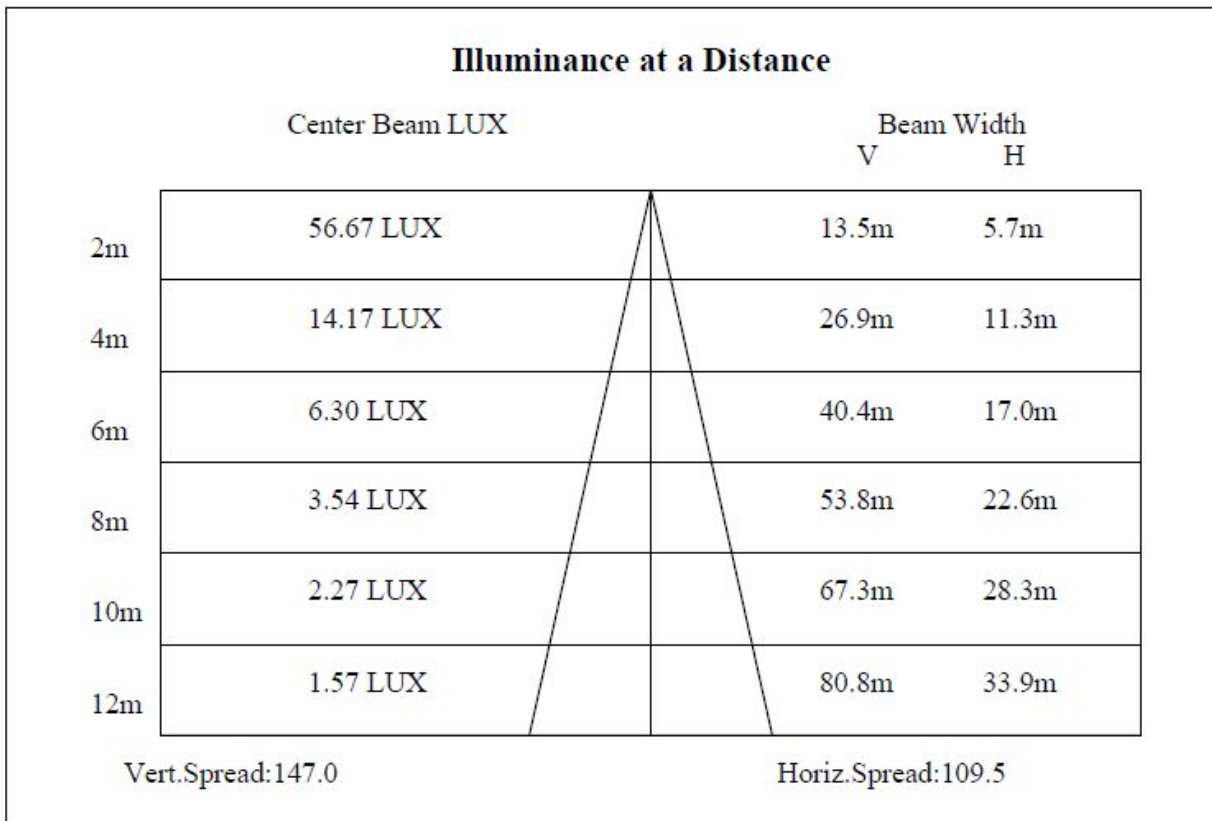
Model	Power	LED type	Lumen	CRI	CCT	Input Voltage	Beam Angle
LSD009WIIG13	9W	SMD2835	990 lm	80Ra	2800-6500k	AC90-260V	120°/150°

### Light distribution





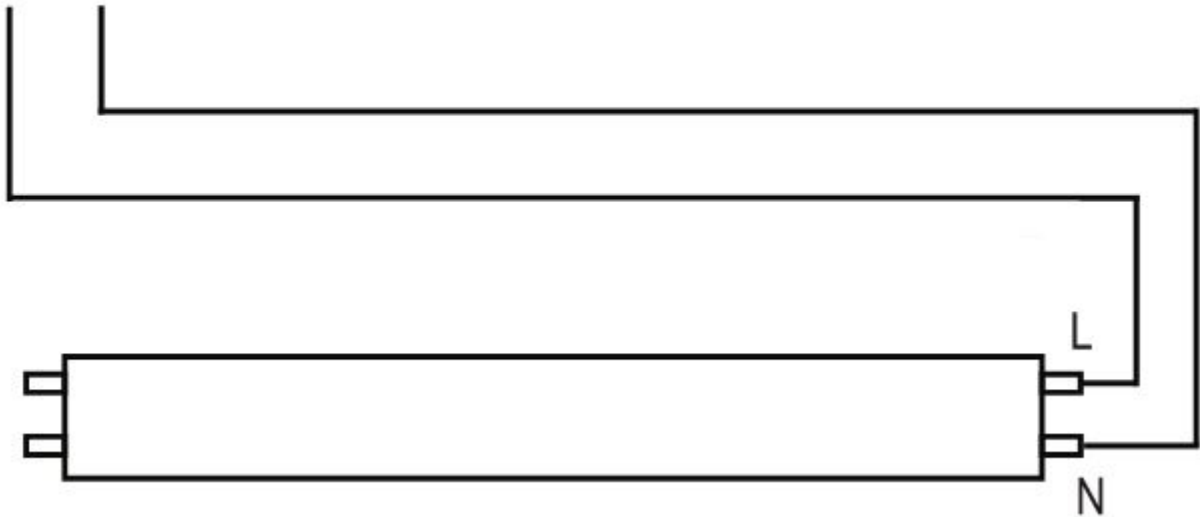
**Illumination diagram**





## Installation Methods

### AC 90-260V



#### Remark:

- ◆ Pls cut off the electrical power when install or remove the light under professional technician's instruction.
- ◆ Make sure the lamp is suitable to the AC power supply.
- ◆ Pls do not install the lamp in high temperature and moist place;make sure there have less than 75mm distance around the lamp to have a good heat dissipation.
- ◆ At any time,do not cover the lamp by insulation blanket or similar material.

## Application

