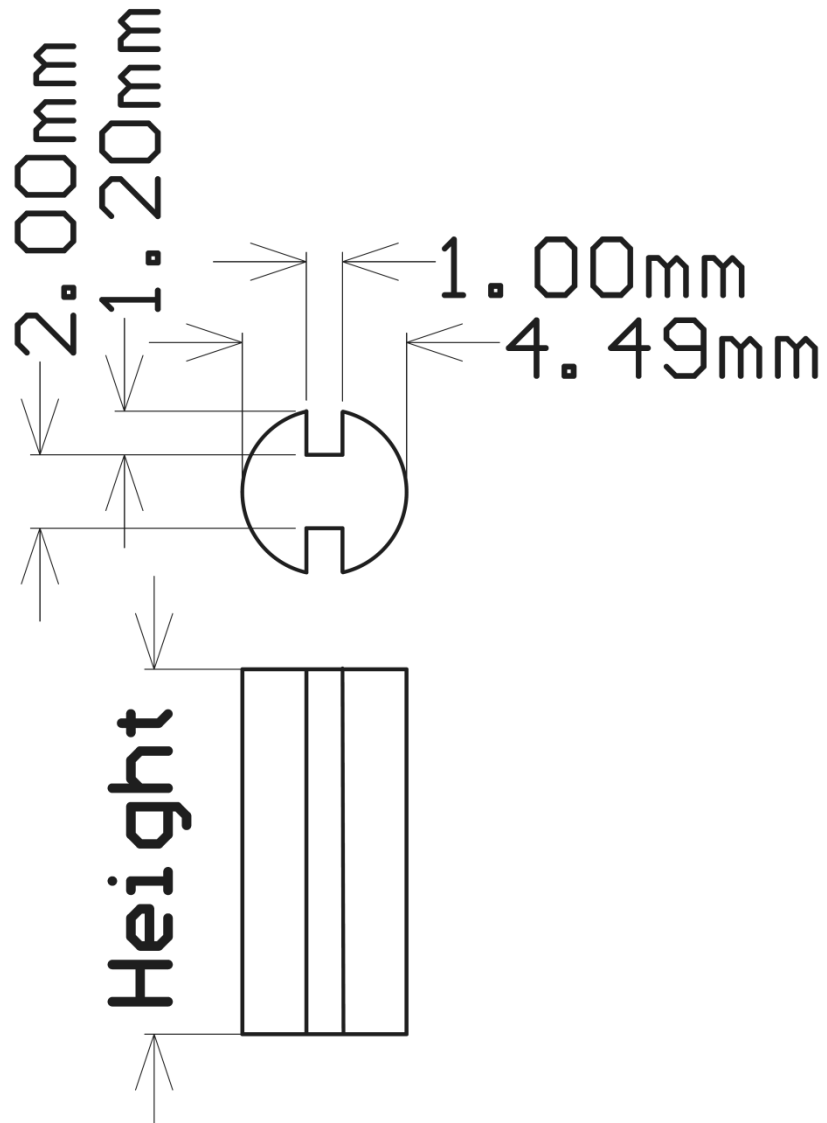




# Electronics Source



ES/PN	Part Number	Height (mm)
999-0324-1	LED-TUBE-4MM	4
999-0388-7	LED-TUBE-6MM	6
999-0389-0	LED-TUBE-8MM	8
999-0323-8	LED-TUBE-10MM	10
999-0386-1	LED-TUBE-12MM	12
999-0387-4	LED-TUBE-14MM	14
670-0005-5	LED-TUBE-16MM	16
999-3095-5	LED-TUBE-20MM	20

Electronics Source Co.,Ltd.  
7/129 Floor 17, Unit 21702, Central Tower A Pinklao,  
Baromrachonnee Road, Arun-Amarin, Bangkok-Noi,  
Bangkok 10700  
Tel: (662)-884-9210 Fax: (662)-884-9214  
email: info@es.co.th