

KV ELECTRONICS CO., LTD.

988 MOO 2, SOI THETSABAN BANG PU 60
 TUMBOL THAI BAN , AMPHUR MUANG
 SAMUTPRAKARN 10280
 TEL. +66(0) 2701-2969 , FAX +66(0) 2701-2966
 E-MAIL : kvea@loxinfo.co.th

Customer name : Electronic source
 Customer part no. : ES00119
 Drawing no. :
 Description : Common mode choke (L1)
 KV no. : 13006
 Revision : 01



Issue date
 8 January 2013

Check by

Approve by

Revise record.

Rev.	Date	Revise description	Page.
01	22-May-13	- Change from point D = 5.00 mm. +/- 1 to point D = 5.00 mm. (Ref.)	2
		- Change from point E = 6.00 mm. +/- 1 to point E = 6.00 mm. (Ref.)	2
		- Cancele measure Leakaged Inductance (LK)	2

Customer name : Electronic source

Customer part no. : ES00119

Drawing no. :

Description : Common mode choke (L1)

KV no. : 13006

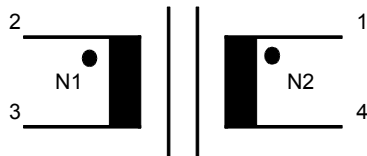
Revision : 01

**1. Components list.**

Item.	Material.	Manufacturer.
1. Toroid core T14x8x4C	A10	ACME or equivalent.
2. Base	FR-4	Chang chun plastic co., ltd UL no. E59481. or equivalent.
3. Copper wire	Polyurethane enameled copper (130 deg.c).	Thai hitachi enamel wire co., ltd. UL no. E137472. Pacific-Thai electric wire & cable co.,ltd. UL no. E142108. or equivalent.
4. Glue Adhesive, CKE660	Epoxy Black, Red or equivalent	China Kyotoku Enterprise Co.,Ltd. UL no. E221448.
5. Solder bar	Sn / Cu	Ultra core or equivalent.

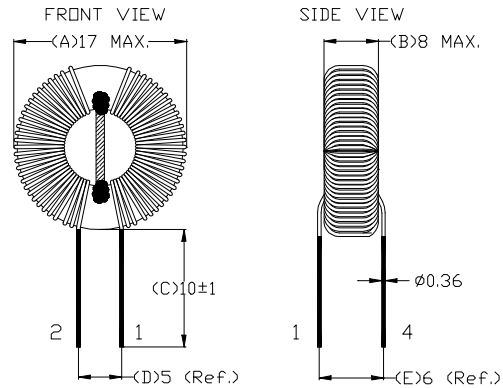
2. Schematic diagram and winding instruction.

The drawing and dimension in millimetre unit.



N1 : Pin 2-3 = Wire 0.36 mm. / 54 Ts. (Ref.)

N2 : Pin 1-4 = Wire 0.36 mm. / 54 Ts. (Ref.)

**3. Electricals specification and test data (at 25 deg.c).**

Item	Pin no.	Specification	Test data									
			1	2	3	4	5					
Inductance (L) At 10KHz, 0.4V	2 – 3	10.00 – 15.00 mH	10.29	10.66	10.69	12.23	10.91					
	1 – 4	10.00 – 15.00 mH	10.28	10.70	10.73	12.25	10.95					
DC-Resistance (DCR)	2 – 3	220.0 mOhm Max.	169.20	167.39	171.82	177.18	168.47					
	1 – 4	220.0 mOhm Max.	170.13	167.33	171.94	174.78	168.44					
Hi-Potential test. 1mA 50Hz	Apply 1000Vac between N1 to N2 for 2 sec.									Passed		

**Mechanical test
Sample no.**

	A	B	C	D	E
1	16.02	6.92	10	4.99	6.23
2	16.61	7.21	10	5.59	6.04
3	16.39	7.25	10	4.12	5.41
4	16.49	7.02	10	4.98	5.61
5	16.14	7.21	10	5.15	6.20

Test date : 11 January 2013

Test by : Apiwat