

**HY604814**

**Electrical Specification @25°C**

RoHS Compliant (PB Free)

Isolation: 1500Vrms Min.

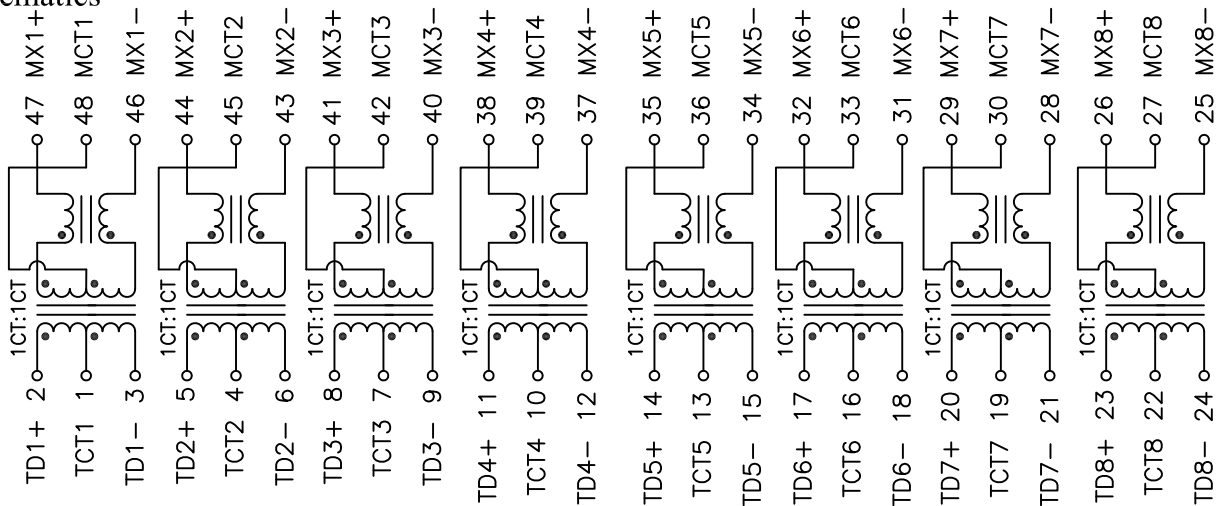
Insertion Loss: -1.4dB Maximum @1MHz ~ 100MHz

Return Loss: -16dB Minimum @1MHz ~ 30MHz / -14.4dB Minimum @40MHz  
 -13.1dB Minimum @50MHz / -12dB Minimum @60MHz ~ 80MHz  
 -10dB Minimum @100MHz

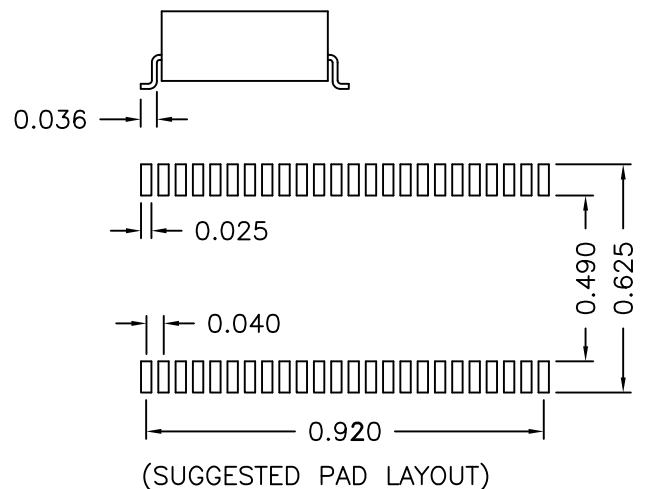
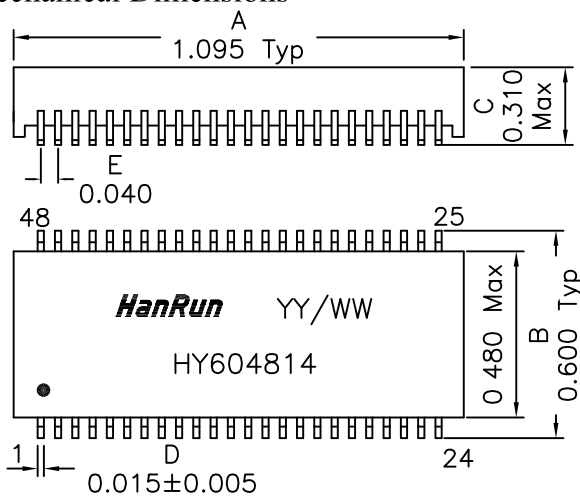
Different to Common Mode Rejection: -45dB Minimum @30MHz / -40dB Minimum @60MHz  
 -35dB Minimum @100MHz

Crosstalk: -43.5dB Minimum @30MHz / -37.5dB Minimum @60MHz / -33dB Minimum @100MHz

**Schematics**



**Mechanical Dimensions**



Dimensions in inches

Unless otherwise specified, Tolerance: .xxx ±0.010