

HW03-700F22

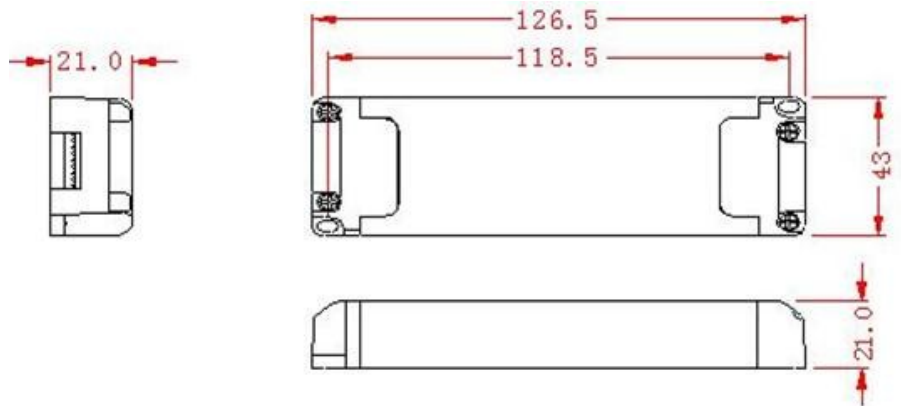


Key Features

Long lasting and high reliability,
Extra small compact housing,
Suitable for use with downlights,
Spotlights, and other indoor LED applications

Approval marks

 **SELV equivalent.**



Safety and EMC standard

Safety according to
EN 61347-1, 61347-2-3, 61347-2-13, 62493
RI suppression according to EN 55015:2007+A1:2007/CDN
Line harmonics according to EN 61000-3-2
Immunity according to EN 61547

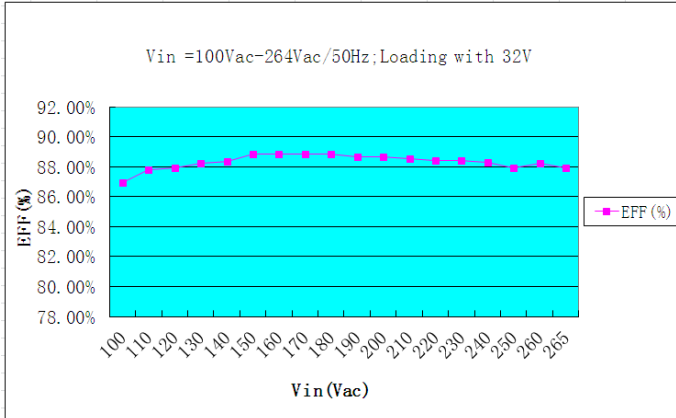
Electrical data

| | Item | Value/Unit /Remarks |
|-------------|------------------------------------|---|
| INPUT | Nominal voltage | 100 – 240 VAC |
| | Nominal frequency | 50 - 60 Hz |
| | AC voltage range | 90 – 264 VAC Permitted voltage range |
| | DC voltage range | NA V |
| | Maximum voltage | 275 V 2hrs |
| | Nominal current | 150mA 230V @ 22W load |
| | Total Harmonic Distortion (THD) | < 20 % Full load, 230 V, 50 Hz |
| | Power factor | 0.5 Full load, 230 V, 50 Hz |
| | Efficiency | 88.5% Full load, 230 V, 50 Hz, typical |
| | No-load power | < 0.5 W 230V, typical |
| | Stand-by power | NA W |
| | Power loss | 3W at 230V input @ 22W load max. |
| | Input power | 25.3W at 230V input @ 22W load max. |
| | Protection class | II Suitable for class I and class II luminaires |
| | Inrush current | < 5 A twidth = 100 μ s typical (measured at 50% Ipeak) |
| OUTPUT | Nominal voltage range | 16-32VDC |
| | Maximum voltage | 40V DC Open circuit |
| | Nominal current range | 700Ma |
| | Current accuracy | +/- 5 % |
| | Current ripple | 10 % typical |
| | Nominal power range | 22W Partial Load. |
| | Maximum power | 22 W Ta \leq 55°C |
| | Galvanic isolation | SELV-equivalent 3,75 kVrms . Output to earth - Touch current < 0.7 mA |
| ENVIRONMENT | Maximum case temperature tc | 85 °C Measured on tc point indicated of the product label. |
| | Max. Case temp. in fault condition | 110 °C |
| | Storage temperature range | -25 ...+75 °C Cool down before operating |
| | Relative humidity | 5 ... 81 % Not condensing |
| | Surge transient protection | 0.5 0.5 kV L/N LN/PE acc. IEC 61000-3-2 (ANSI C62.41 Cat.A ...) |
| | Environmental rating | Indoor |
| | IP rating | IP 20 |
| | Mains switching cycles | > 100'000 |
| | Expected lifetime | \geq 50'000 hrs ta = 50°C , tc = 85°C, 10% failure rate |

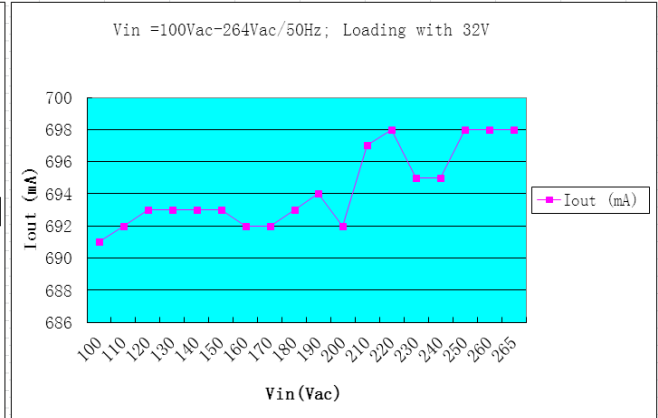
| | | |
|------------|--------------------------|--|
| Protection | Overheating protection | yes, automatic reversible |
| | Overload protection | yes, automatic reversible |
| | Short-circuit protection | yes, automatic reversible |
| | Hot plug-in protection | No, Hot plug-in or secondary switching of LEDs is not permitted and may cause a very high current to the LEDs. |

| | | |
|---------------------|---------------------------------|---------------------------|
| DIMENSION WEIGHT | Dimensions | |
| | Weight | |
| | Max. cable length | 2m |
| | Cable crosssection, input side | 0.5...1.5 mm ² |
| | Cable crosssection, output side | 0.2...1.5 mm ² |

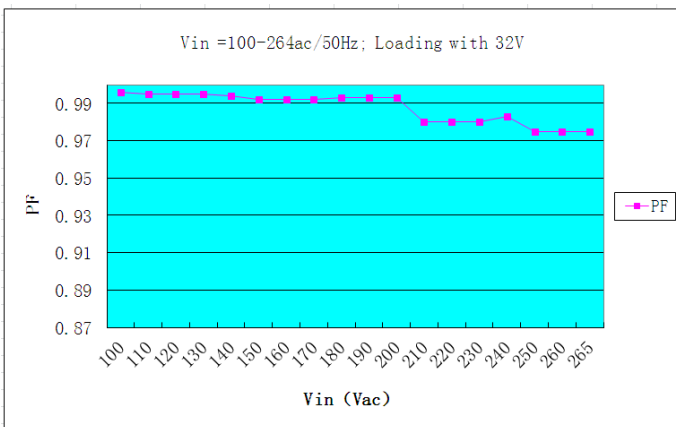
Variable Input Vs Efficiency



Variable Input Vs Vout Measurement



Variable Input Vs PF Measurement



Disclaimer

The information in this data sheet subject to change without notice.

Always make sure to use the most recent release, or consult with us before your final selection.