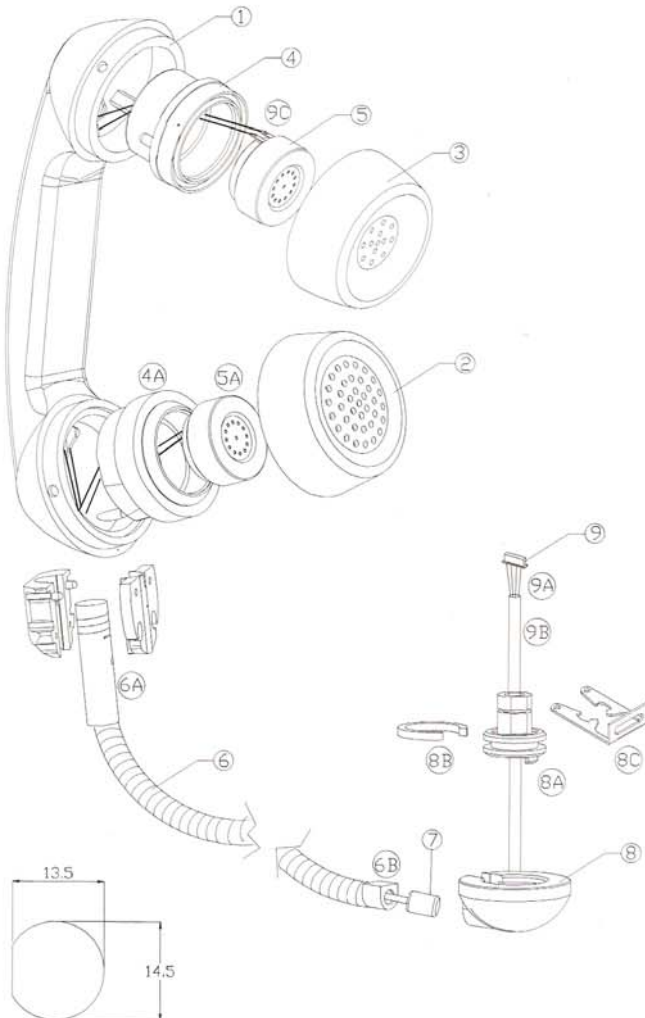




HT-680 HANDSET

- | | |
|--|---|
| <ol style="list-style-type: none"> 1. 材質ABS 2. 4pin 豪訊連接插頭 3. TR 器 - 參考 Page 7 或依客戶指定 4. 鋅合金接頭可旋轉壹圈防止鋼管繞曲打結 5. 大頭 (轉頭) 可適合投幣式和 IC 卡式公話機或依客戶指定 | <ol style="list-style-type: none"> 1. ABS material 2. 4pin housing connector 3. Transmitter and receiver-please refer to page 7. or can be assign by customer. 4. Zinc alloy joint could be rotate a circle, so that prevents steel tube from coil bend or tie . 5. Swivel (center rotation joint)can fit the coin public telephone and lc card public telephone or can be assign by customer. |
|--|---|



ITEM	DESCRIPTION
1	TELEPHONE HANDLE
2	TRANSMITTER COVER
3	RECEIVER COVER
4	RUBBER RECEIVER BRACKET
4A	RUBBER TRANSMITTER BRACKET
5	RECEIVER UNIT (INTER CHANGEABLE)
5A	TRANSMITTER UNIT (INTER CHANGEABLE)
6	STAINLESS STEEL ARMORED CORD
6 A	ZINC ALLOY JOINT
6B	BRACKET TERMINAL END
7	STEEL CABLE
8	SWIVEL
8A	CENTER ROTATION JOINT
8 B	PP RING WASHER
8C	JOINT CLIP STOPPER
9	HOUSING
9A	TEFOLON WIRE
9B	PVC COVER
9C	TERMINAL

Dimension : mm