



HHX Optoelectronic Technology Co., LTD

Product specification

HHX-M38103-C28T Injection Module



Specification	Design requirement	Quality tasting	Requirement of client
Confirmation	Project	Quality	client

Dimension: 58*12*4mm



5B/F.,B8 Block,Yijing Industrial Park,Tianliao Songbai Road,Gongming Town,Guangming District,Shenzhen. Website: www.hhxled.com

★ Specifications:

Tech Specs:	Module:	HHX-M38103-C28T
	Item NO.	criterion
	light shell	Injection
	Shell color	Milk white
	Power	0.75W
	Voltage	DC 12V
	Current	55mA
	LED quantity	3
	Color temp	Single color(white)
	LED type	SMD 2835
	Bean angle	140-160
	Luminous Flux	60-80
	Class IP	IP66
Bunch/Qty	20 (Cut off freely and Customized)	

Product Advantage:

1. Using high brightness SMD2835LED, low light decay, big angle to make effect more outstanding;
2. The waterproof effect is better when the products with one-time injection molding install outside;
3. Easy installation design, it is convenient for customer install;



4. 4、 Available in LED Luminous letter, advertisement light box to compose beautiful company signboard ect.

Application:

HHX-38103-28 series led SMD module, is a newly-designed light,use to advertising light box,luminous letter and outdoor advertising billboard.

Working environment:

No.	Project	Tech index	Unit	Remarks
1	Working temp	-25 ~ +50	°C	
2	Storage temp:	-40 ~ +70	°C	
3	Relative humidity:	5%—95% (No dew)		
4	Heat-dissipation method:	natural cooling		system heat-dissipation
5	Barometric pressure	70—106	KPa	
6	Elevation:	≤5000	m	Rated voltage with load

Notes:

- 1.It is forbidden to disassemble,modify products,to prevent sharp objects touch.
2. The installation process is strictly prohibited to do live line work, do a good job in anti-static work in the dry environment.



- 3.It is strictly prohibited to use any organic solvent.
- 4.It is strictly prohibited to use any acidic, alkaline dope fixed products, if use neuter glass glue fixed this product, must stay in the open environment when glass glue solidified 4 hours later and then closed.
- 5.During the installation process, please do a good insulated, waterproof and anti-corrosion treatment for the end of the line which without access to the mainline and every circuit connection points.
- 6.For extended longer module power supply line, need to use 2.5 (conductor cross-sectional area is 2.5 square mm) or more thick wire core wire, so as to avoid adverse consequences caused by wire flow too much heat.
- 7.Before power supplied ,please confirm the service voltage to meet the requirements, the line is installed correctly.
- 8.This product can be used under the condition of both inside and outside.
- 9.Installation, maintenance, operation and maintenance must be professional, and non-professional personnel are strictly prohibited.
- 10.Biggest each string concatenated 20 PCS LED module, prohibit overheating concatenated.
- 11.Standard concatenated 20 PCS module,between power and module of power line length is not more than 20 meters, otherwise the line loss increases,resulting in head and tail module brightness is inconsistent.

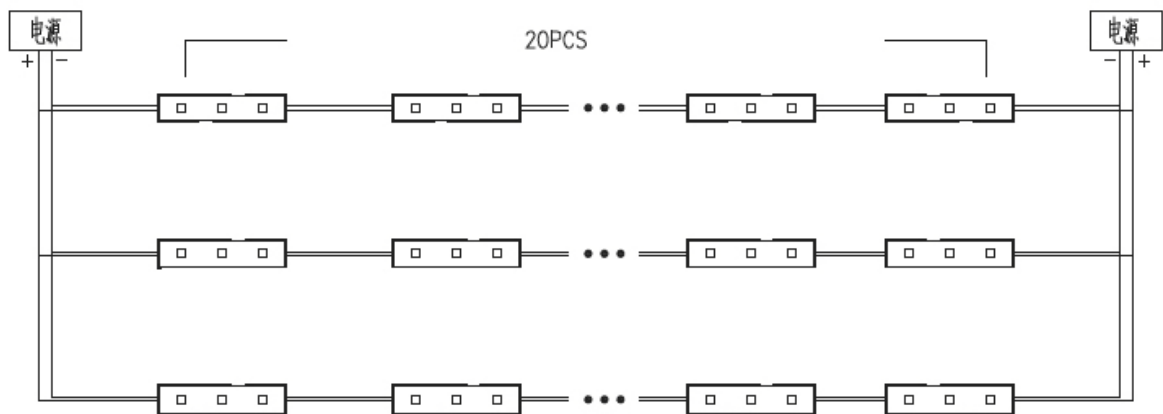


12.Under the storage environment, the temperature at20 °C t65 °C, humidity in the range of 45 ~ 65% RH.

Installation:

- 1.Can be paste double sided tape at the back side.
- 2.Fix the product with screws.

Circuit layout



HHX-38103-28 连线图

Reliability:

NO.	project	Tech Requirement	Unit	Remarks
1	MTBF	Continuous working time ≥30000	h	



Packing, Delivery, Storage:

1.Packing: product name, specifications, manufacturing date are printed in packing containers.

2.Delivery:Apply to transportation of cars,ships,and aircraft,sheltering,sun-protection,and careful loading and unloading during transportation shall be noticed.

3.Storage: products shall be saved in containers when not be used,warehouse temperature -30°C — $+85^{\circ}\text{C}$ relative humidity 15%-95%, no magnetic field in the warehouse, containers shall be mat 20cm high off the ground,the distance with walls, heat source,windows or air inlet within 50cm, the storage period is generally 2 years under this storage conditions,if it is more than 2 years shall be tasted again.

After-sales service:

From the date of purchasing the product,if have any quality problem under normal operation construction within three years,our company provide repair or replacement for free. Damage caused by operation beyond construction or following items,our company is no responsible for any problem or damage, even if it is still in the warranty period,the repair cost shall be borne by the customers.

The warranty terms are following:

1.Damage caused by improper assembly,product has been installed or operated not in accordance with the original instruction manual.



2.Using the power supply which exceed the working voltage or unsuitable power supply makes damage to the product.

3.Product has been repaired/altered/tampered with or modified by unauthorized persons.

4.The damage caused due to transportation, shocks, squeezing, fall damage after purchasing.

5. The damage caused by force majeure, such as earthquake, fire, flood, lightning stroke and so on.

6.Work near corrective chemicals.

7.HHX reserves the right of final interpretation of all the products.

