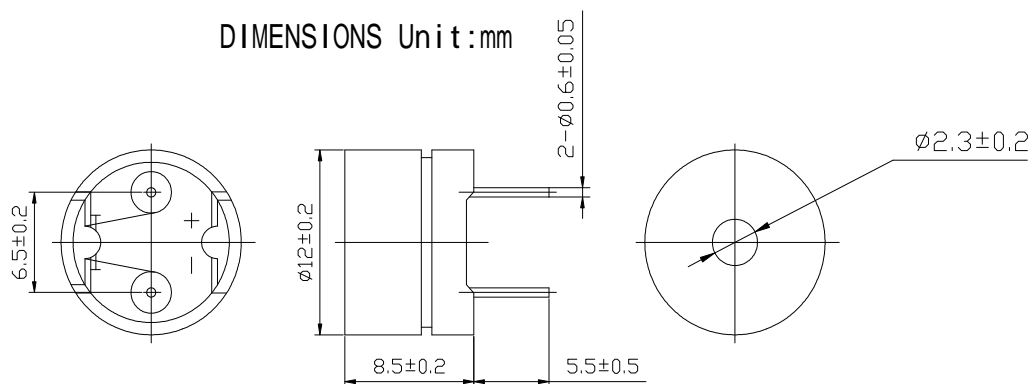


● Technical terms

Type	HC12G-1P-G
Rated Voltage (V)	1.5
Operating Voltage (V)	1~2
△ Rated Current (mA)	Max.30
Coil Resistance (Ω)	16±4
△ Sound Output at 10cm (dB)	Min.85
Resonant Frequency (Hz)	2048
Operating Temperature (℃)	-25~+70
Storage Temperature (℃)	-30~+85
Weight (g)	2

△ Value applying rated voltage (2048Hz, 1/2duty, square wave)

DIMENSIONS Unit:mm



				Date	2005.10.19	Specification for Electro-Magnetic Audio Transducer HC12G-1P-G
				Name	SunXingLong	
					GuHongWei	
					ZhuBingKe	
				YEC		051019.1
Issue	Note	Date	Name			Page1/2

Specification for Electro-Magnetic Audio Transducer

YEC

Reliability test

ITEM	METHOD OF TEST	STANDARD
Storage in high temp	Storage in +85 ^o C test box for 96 hours , then expose to the room temperature for 2 hours without applying power .	All specifications must be satisfied in this condition .
Storage in low temp	Storage in -30 ^o C test box for 96 hours , then expose to the room temperature for 2 hours without applying power .	All specifications must be satisfied in this condition .
Life test in the room temp	Operate continuously for 1000 hours with applying rated voltage	All specifications must be satisfied in this condition .
Life test in high temp	Operate continuously in +70 ^o C for 500 hours applying 2V	All specifications must be satisfied in this condition .
Life test in low temp	Operate continuously in -25 ^o C for 500 hours applying 1V	All specifications must be satisfied in this condition .
Temperature cycle test	<p>Make this test 5 cycles without applying power , then expose to the room temperature for 2 hours .</p>	All specifications must be satisfied in this condition .
Humidity cycle test	<p>Make this test 5 cycles without applying power , then expose to the room temperature for 2 hours .</p>	All specifications must be satisfied in this condition .
Vibration	<p>Make this test for the directions of X, Y and Z for 2 hours each (total 6 hours) . To-and-fro sweep times 1 minute .</p>	All specifications must be satisfied in this condition .
Drop test	Drop a buzzer naturally from the height of 1m to the surface 1 mm thick wooden board . Three directions (X, Y & Z) .	All specifications must be satisfied in this condition .
Solderability test	Soldering temperature : 230 ^o C Heat applying time : 3 sec .	All specifications must be satisfied in this condition .

			Date	2005.10.19
			Name	SunXingLong
				GuHongWei
				ZhuBingKe
			YEC	
Issue	Note	Date	Name	

Specification for Electro-Magnetic Audio Transducer
HC12G-1P-G

051019.1