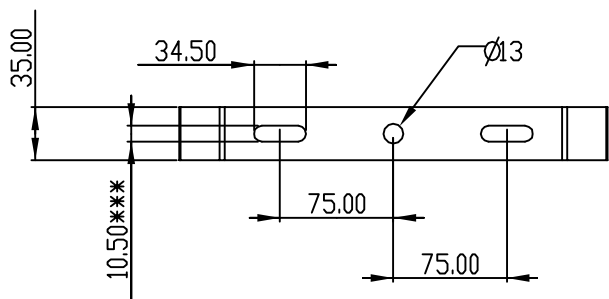
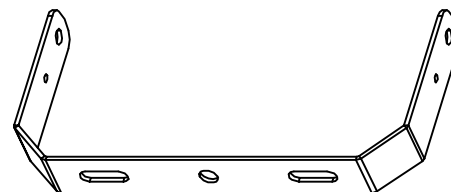
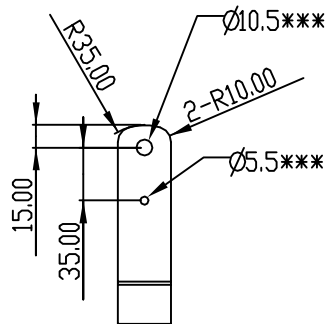
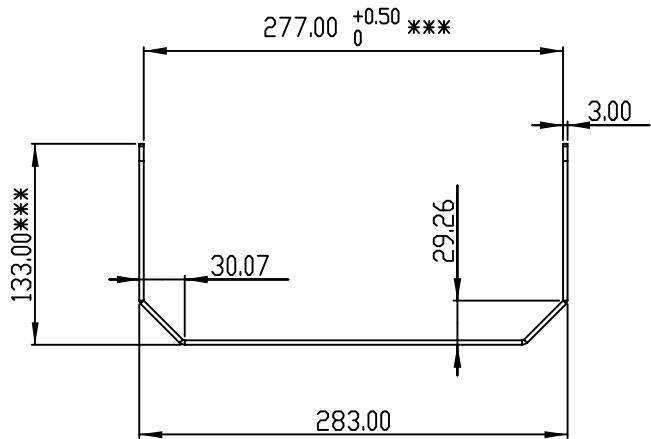


REVISION			
LTR	DESCRIPTION	DATE	APP



DIMENSION CLASSIFICATION

\* : CRITICAL

TOLERANCE TABLE

TOL. GRADE	□	■	□
0-25	± 0.10	± 0.20	± 0.50
25-80	± 0.15	± 0.30	± 1.00
80-250	± 0.20	± 0.50	± 2.00
250-	± 0.30	± 0.80	± 3.00
ANGLE	± 1.0°	± 1.5°	± 2.0°

技术要求:

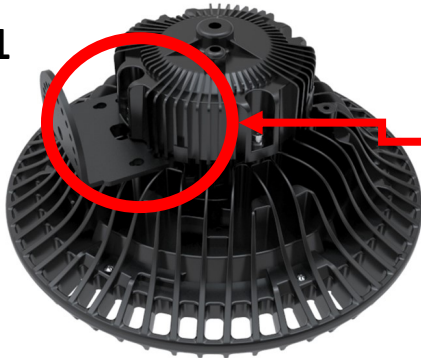
- 1,材质:SPCC沙黑。
- 2,表面无脏污、无裂痕、无毛边。
- 3,表面处理烤漆(颜色按色板)。
- 4,未注明尺寸参照2D图纸。

B R E E				MODEL	-
PART NAME	工矿灯HBL-02-150W 支架			APPROVED	
PART NO.				CHECKED	
TOL. ±	1 PLC2	PLCANGLE	UNIT	mm	DRAWN
MATERIAL	SPCC沙黑		SCALE	1:5	黄工
FINISH		DATE	08/18/2015	REV	A0
THE 3RD PROJECTION	DWG. NO.	-	SHEET NO.	1/1	



## 120W and 150W Bracket assembly instructions

1

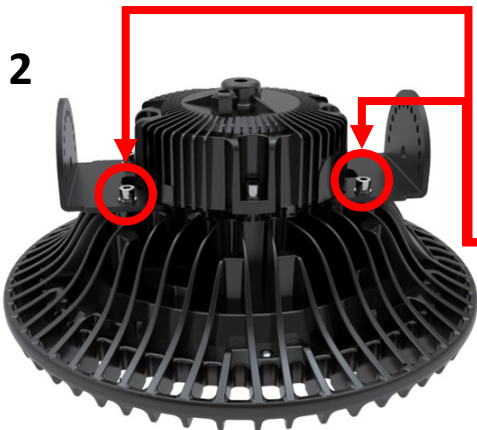


1. CR.15BS000002

**Pinboard of ceiling bracket**

HBL100W/150W/200W-02-TA/TC pinboard of ceiling bracket iron matt in black 98\*69\*63 thickness 4mm

2



2. GA.03NW000002

**Lockwasher**

external diameter: 10.7mm, inner diameter: 6.3mm, thickness 1.7mm, SUS304, with M6 screw, spring gasket

3. GA.13NW000001

**Flat mat**

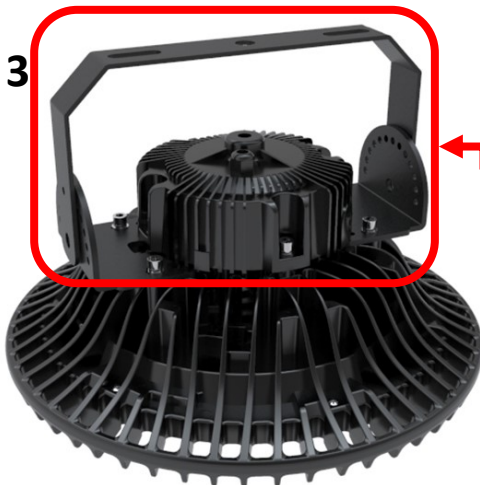
external diameter: 12mm, inner diameter: 6.2mm, thickness 1.0mm, SUS304, with M6 screw, flat gasket

4. SC.2M06025100000001

**screw (Screw M6\*25 hex socket)**

M6\*25, SUS304, hex socket set screws

3



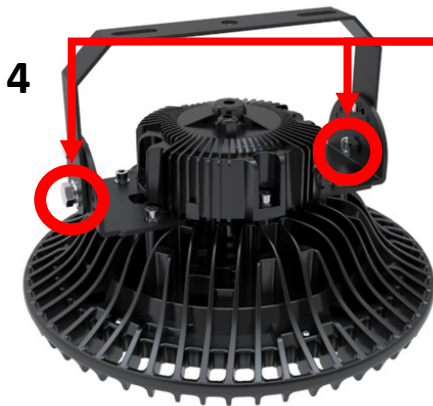
5. SU.501BSHB000008

**Bracket 150W**

HBL150W-02-TA/TC ceiling bracket iron matt in black 253\*133\*35 thickness 3mm



## 120W and 150W Bracket assembly instructions



6. GA.03NW000005

**Lockwasher (Spring gasket, M10)**

external diameter: 15.6mm, inner diameter: 10.2mm, thickness: 2.6mm, SUS304, with M10 screw, spring gasket

7. GA.13NW000006

**flat gasket/washers (Flat gasket, M10)**

external diameter: 19.6mm, inner diameter: 10.5mm, thickness: 2.0mm, SUS304, with M10 screw, flat gasket

8. SC.3M10025400000001

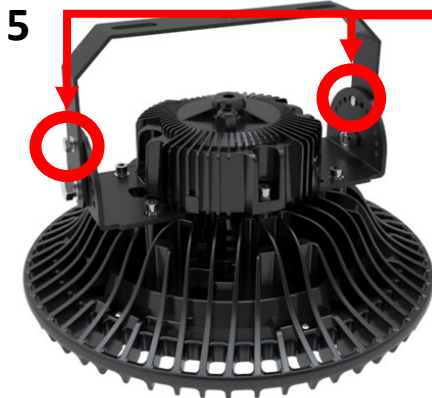
**screw (Screw M10\*25 hex screw)**

M10\*25, SUS304, outer-hexagonal /hex screw

9. SC.7M10000100000001

**Nut (Nut M10)**

M10\*P1.5\*T=8mm hex nut SUS304



10. SC.3M04014400000001

**screw (Screw M5\*14 hex screw)**

M5\*14, SUS304, outer-hexagonal /hex screw

11. SC.7M05000100000001

**Nut (Nut M5)**

M5\*P0.8\*T4mm hex nut SUS304 Hexagon on edge is 8mm head thickness 4mm



12. GA.03NW000005

**Lockwasher (Spring gasket, M10)**

external diameter: 15.6mm, inner diameter: 10.2mm, thickness: 2.6mm, SUS304, with M10 screw, spring gasket

13. GA.13NW000006

**Flat gasket/washers (Flat gasket, M10)**

external diameter: 19.6mm, inner diameter: 10.5mm, thickness: 2.0mm, SUS304, with M10 screw, flat gasket

14. SC.7M10000100000001

**Nut (Nut M10)**

M10\*P1.5\*T=8mm hex nut SUS304