

4

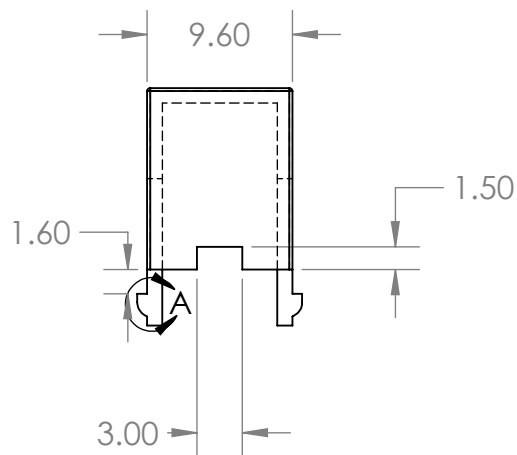
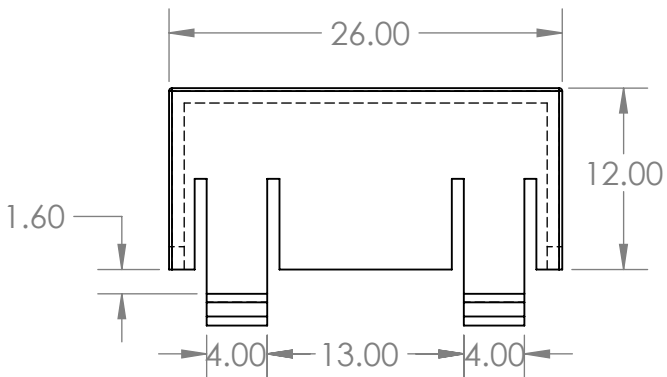
3

2

1

F

F



E

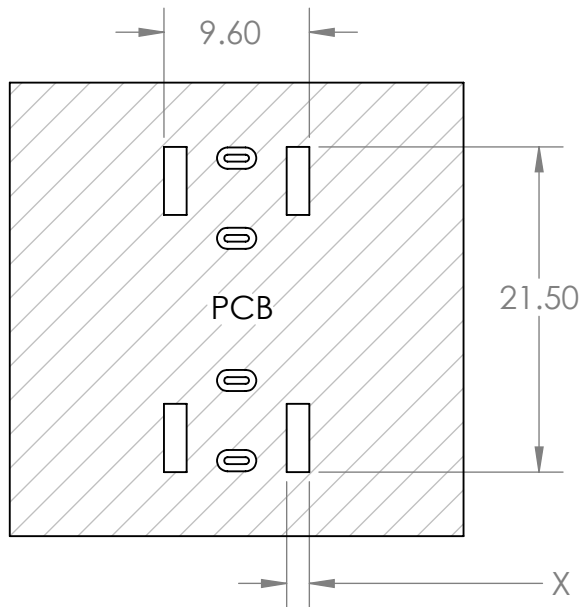
E



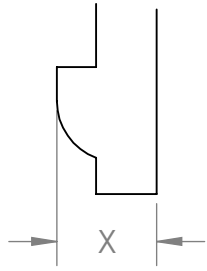
MARKING No. {1,2,3,4}

D

D



DETAIL A  
SCALE 8 : 1



C

C

Part Number	X
FC-2005-1-1	1.50 mm
FC-2005-1-2	1.65 mm
FC-2005-1-3	1.65 mm
FC-2005-1-4	1.50 mm

B

B

UNLESS OTHERWISE SPECIFIED:  
DIMENSIONS ARE IN MILLIMETERS  
SURFACE FINISH:  
TOLERANCES:  
LINEAR:  
ANGULAR:

FINISH:  
  
DEBURR AND  
BREAK SHARP  
EDGES

DO NOT SCALE DRAWING      REVISION

ELECTRONICS SOURCE

	NAME	SIGNATURE	DATE	
DRAWN				
CHK'D				
APPV'D				
MFG				
Q.A				
			MATERIAL:	
			PC-V0	
			WEIGHT:	

TITLE:	
FC-2005-1-1,FC-2005-1-2, FC-2005-1-3,FC-2005-1-4	
DWG NO.	A4
Fuse Cover	
SCALE:2:1	SHEET 1 OF 1

A

A

4

3

2

1