

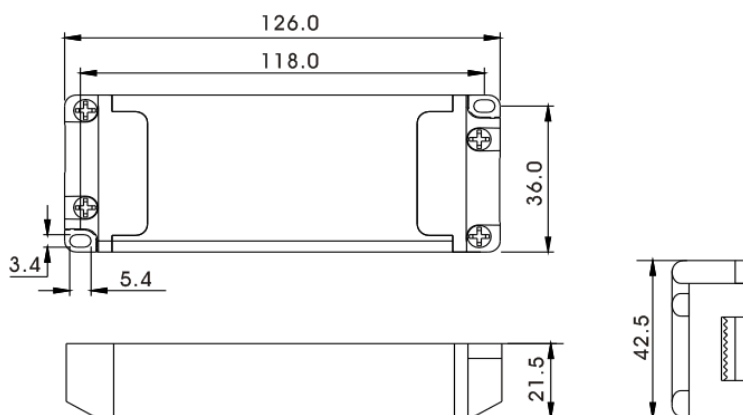
ECO-350F20



Key Features

Long lasting and high reliability,
Extra small compact housing,
Suitable for use with downlights,
Spotlights, and other indoor LED applications

Approval marks



Safety and EMC standard

Safety according to
EN 61347-1, 61347-2-13, 62493
RI suppression according to EN 55015/CDN
Line harmonics according to EN 61000-3-2
Immunity according to EN 61547

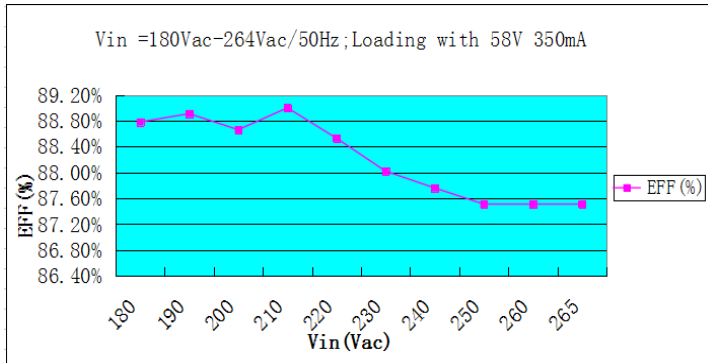
Electrical data

	Item	Value/Unit /Remarks
INPUT	Nominal voltage	220 – 240 VAC
	Nominal frequency	50 - 60 Hz
	AC voltage range	200 – 264 VAC Permitted voltage range
	DC voltage range	NA V
	Maximum voltage	264 V
	Nominal current	104 mA 230V @ 20W load
	Total Harmonic Distortion (THD)	NA
	Power factor	0.9 Full load, 230 V, 50 Hz
	Efficiency	>87.6% Full load, 230 V, 50 Hz, typical
	No-load power	< 0.5 W 230V, typical
	Stand-by power	NA W
	Power loss	2.8W at 230V input @ 20W load max.
	Input power	22.8W at 230V input @ 20W load max.
	Protection class	II
Inrush current	< 5 A twidth = 100 µs typical (measured at 50% Ipeak)	
OUTPUT	Nominal voltage range	29-58VDC
	Maximum voltage	65VDC Open circuit
	Nominal current range	350 mA
	Current accuracy	+/- 5 %
	Nominal power range	10.15- 20.3W Partial Load.
	Maximum power	20.3 W Ta ≤ 45°C,
	Safety isolation	SELV-equivalent 3,000 kVrms . Touch current < 0.7 mA
ENVIRONMENT	Ambient temperature range ta	-20 ...+45°C
	Maximum case temperature tc	85 °C Measured on tc point indicated of the product label
	Max. Case temp. in fault condition	110 °C
	Storage temperature range	-25 ...+75 °C Cool down before operating
	Relative humidity	5 ... 80 % Not condensing
	Surge transient protection	0.5 0.5kV L/N LN/PE acc. IEC 61000-3-2 (ANSI C62.41 Cat.A ...)
	Environmental rating	Indoor
	IP rating	IP 20
	Mains switching cycles	> 50'000
	Expected lifetime	30'000 hrs ta = 45°C , tc = 85°C, 10% failure rate 50'000 hrs ta = 35°C , tc = 75°C, 10% failure rate

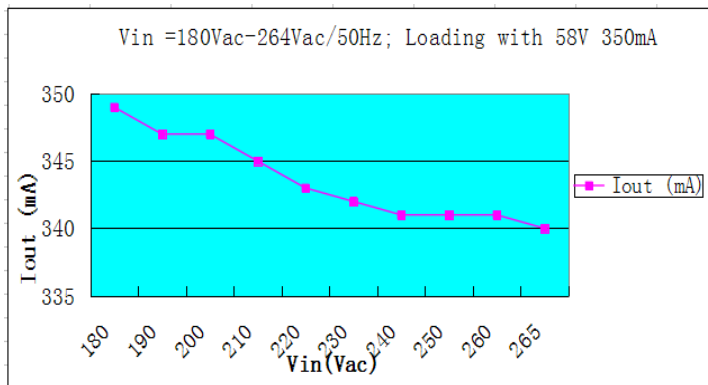
Protection	Overheating protection	yes, automatic reversible
	Overload protection	yes, automatic reversible
	Short-circuit protection	yes, automatic reversible
	Hot plug-in protection	No, Hot plug-in or secondary switching of LEDs is not permitted and may cause a very high current to the LEDs.
DIMENSION	Dimensions	126X42.5X21.5mm
WEIGHT	Weight	93g

	Max. cable length	1.2m
	Cable crosssection, input side	0.5...1.5 mm ²
	Cable crosssection, output side	0.2...1.5 mm ²

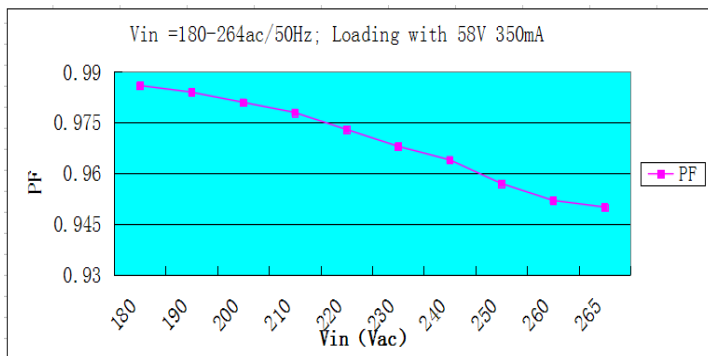
Variable Input Vs Efficiency



Variable Input Vs Iout Measurement



Variable Input Vs PF Measurement



Disclaimer

The information in this data sheet subject to change without notice.

Always make sure to use the most recent release, or consult with us before your final selection.