

RoHS COMPLIANT

REV	ECN NO.	DESCRIPTION	DATE
1		Ref.	NOV. 25'16

Poles (**)	A (mm)
01	2.54
02	5.08
03	7.62
04	10.16
05	12.70
06	15.24
07	17.78
08	20.32
09	22.86
10	25.40
12	30.48

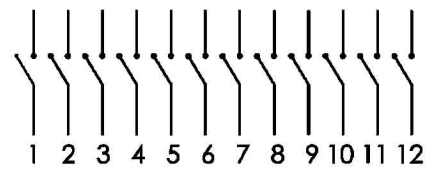
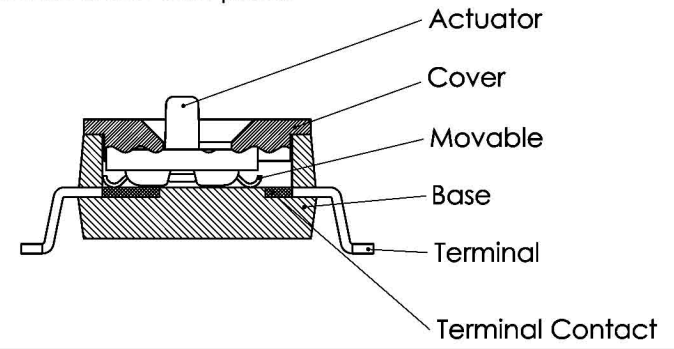
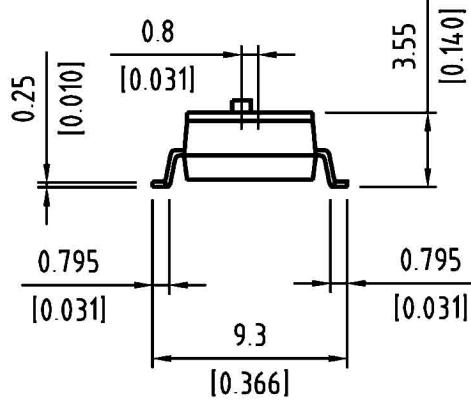
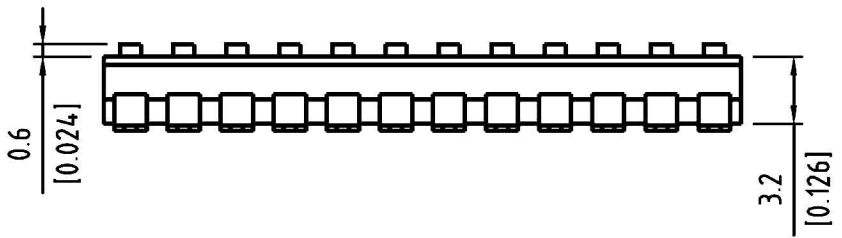
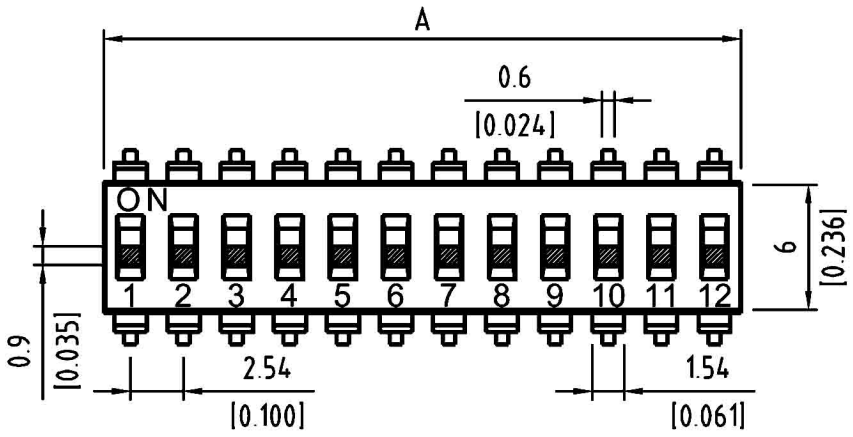
**Specification:**

**1. Ratings:**

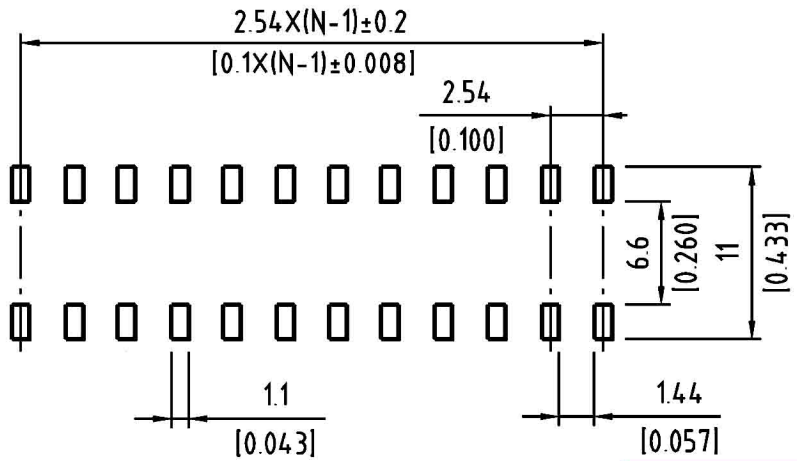
- 1.1 Mechanical Life: 3000 cycles minimum
- 1.2 Contact Rating: 100mA at 50 Vdc non-switching;  
25 mA at 24 Vdc, 10 mA at 50 Vdc Switching.
- 1.3 Contact Resistance: 50 milliohms maximum (initial)  
100 milliohms maximum (after test)
- 1.4 Insulation Resistance: 100MΩ Min. at 500 Vdc between adjacent closed contacts and also across open switch contacts.
- 1.5 Dielectric Strength: 500 Vac, RMS, minimum voltage measured between adjacent closed contacts and also across open switch contacts.
- 1.6 Switch Capacitance: 5pF at 1 MHz
- 1.7 Operating Temperature: -30°C to +85°C.
- 1.8 Storage Temperature: -40°C to +85°C.

**2. Materials and Finishes:**

- 2.1 Base: UL 94 V0 grade PPS Thermoplastic / Black color
- 2.2 Cover: UL 94 V0 grade PPS Thermoplastic / Black color
- 2.3 Actuator: UL 94 V0 grade NYLON Thermoplastic / White color.
- 2.4 Movable: Copper Alloy / Gold-plated.
- 2.5 Terminal Contact: Brass / Gold-plated.
- 2.6 Terminal: Brass / Gold-plated.



**SCHMATIC**



**P.C.B LAYOUT**

參考圖  
REFERENCE

TOLERANCE UNLESS OTHERWISE SPECIFIED		PROJECTION 
LINEAR	ANGLE	
X. ±	X° ±	UNITS MM
.X ±	.X° ±	
.XX ±	.XX° ±	
.XXX ±	.XXX° ±	
APPD		SCALE
CHKD		
DRAW		
		SIZE A4

**GOLD-TEK** ELECTRIC CO., LTD.

TITLE: 2.54mm Dip Switch SMT Type

PART NO. **DSMIC\*\*G-BK**

CAD NO. SHEET 1 OF 1

CPART NO.

圖面編號: