



DRPE-2C



DRPE-4C

特点

- 体积小、2C: 10A, 4C: 5A切换功率。
- 配有多种插座可供选择。
- 带测试按钮和机械动作指示窗。
- 环保产品 RoHS REACH。

Features

- Small size, 2C: 10A, 4C: 5A switching power.
- Multiple sockets optional.
- With test button and instruction window.
- Green product RoHS REACH.

性能参数 Performance Parameters

触点参数 Contact parameters

触点形式 Contact form	2C, 4C	
触点材料 Contact material	Ag alloy	
阻性负载 Resistive load	2C: 10A/5A@240VAC/28VDC	4C: 5A@240VAC/28VDC
马达负载 Motor load	2C: 1/3HP@240VAC	4C: 1/6HP@240VAC
切换功率 Switch power	2C: 2400VA/1200VA, 280W/140W	4C: 1200VA/720VA, 140W/84W
接触电阻 (初始) Contact resistance (Initial)	<50mΩ	
电气寿命 (1s通/1s断) Electrical life (1s on/1s off)	>1x10 ⁵ (1800 Ops/h)	
机械寿命 (300次/分钟) Mechanical life (300 cycles/min)	>1x10 ⁷ (18000 Ops/h)	

线圈参数 Coil parameters

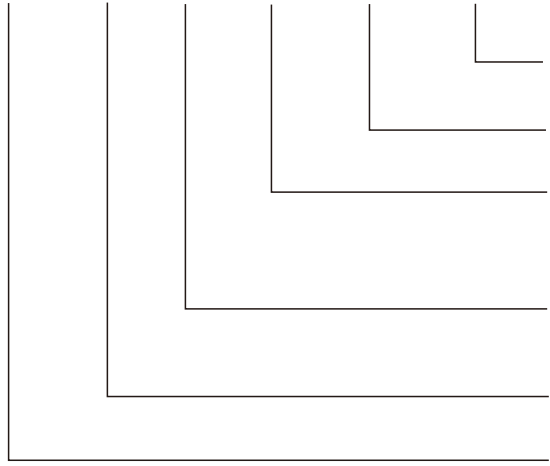
额定电压 Rated voltage (DC)	DC12V	DC24V	DC48V	DC110V	DC220V
额定电阻 Rated resistance (±10%)	160Ω	640Ω	2560Ω	13000Ω	53777Ω
额定电压 Rated voltage (AC)	AC24V	AC48V	AC110V	AC220V	AC380V
额定电阻 Rated resistance (±10%)	168Ω	672Ω	3529Ω	14116Ω	42116Ω
吸合电压 Operate voltage	DC: ≤75% (Rated voltage); AC: ≤80% (Rated voltage)				
释放电压 Release voltage	DC: ≥10% (Rated voltage); AC: ≥30% (Rated voltage)				
最大工作电压 Max input voltage	110% (Rated voltage)				
线圈功耗 Coil power	0.9W/1.2VA				
吸合时间 Operate time	<20ms				
释放时间 Release time	<20ms				

通用参数 Universal parameters

绝缘电阻 Insulation resistance	1000MΩ (500VDC)
介质耐压 Dielectric voltage	
同极触点间 Between contacts	1000VAC/1min
异极触点间 Between contacts (different pole)	1500VAC/1min
线圈触点间 Between contacts and coil	1500VAC/1min
耐冲击 Shock withstanding	10G (Half sine wave pulse 11ms)
耐振动 Vibration withstanding	10-55Hz (Double amplitude 1.0mm)
环境温度 Ambient temperature	-40...+70°C
环境湿度 Ambient humidity	45%~75%RH
重量 Weight	35g
配套插座 Matching socket	2C: DPYF08A series DPKF08A series; 4C: DPYF14A series DPKF14A series

型号订购 Model Order

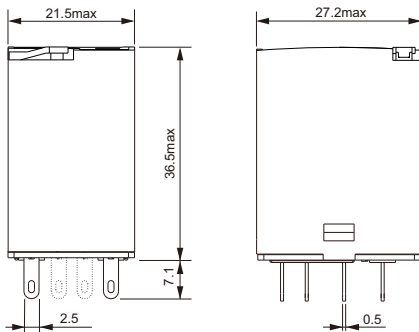
DRPE - 2C H -LR - D24 - XXA (H)



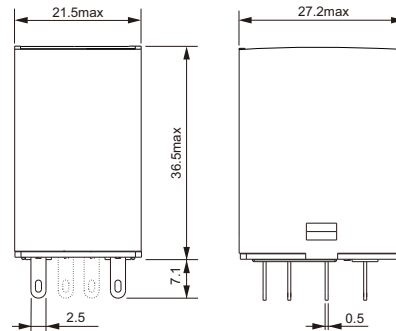
环保:H
 RoHS:H
 线圈电压:DC:D12,D24,D48,D110,D220
 Coil voltage:AC:A24,A48,A110,A220,A380
 功能选项:L:带灯;LD:带灯+二极管;
 LR 灯+自锁按钮;LDR 灯+二极管+自锁按钮
 Function option:L:LED;LD:LED+Diode
 LR:LED+Self-locking button;LDR:LED+Diode+Self-locking button
 负载选项:无:常规2C:5A;4C:5A H:高负载2C:10A
 Load option:Blank:Routine 2C:5A;4C:5A
 H:High load 2C:10A
 触点形式:2C,4C
 Contact form:2C,4C
 产品大类:DRPE
 Product Category:DRPE

外形尺寸图 Overall Dimensions

DRPE-2C/4C (Putton test)

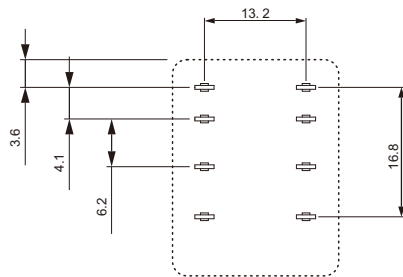


DRPE-2C/4C (Routine)

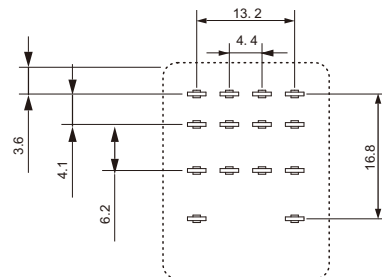


脚位图、接线图 Installation Diagrams, Wiring Diagrams

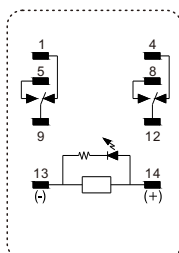
DRPE-2C



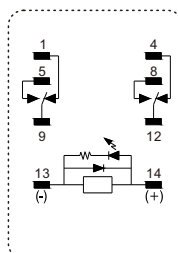
DRPE-4C



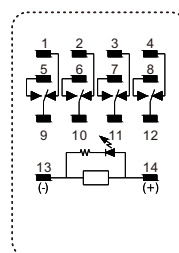
DRPE-2C-L



DRPE-2C-LD



DRPE-4C-L



DRPF-4C-LD

