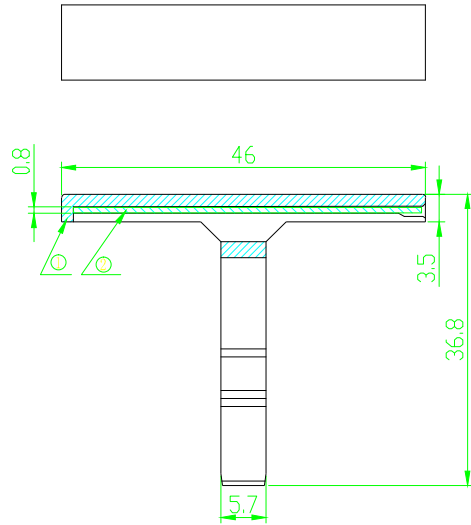
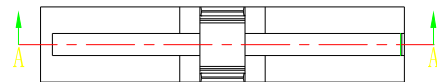
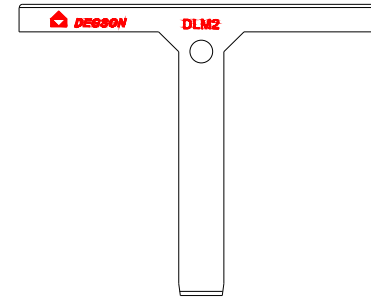
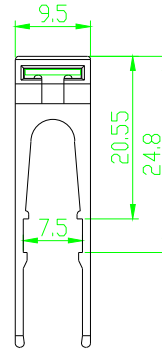


D1RFRD006

REVISION RECORD				
REV	ECD	DESCRIPTION	DRFT	DATE



Section A-A



Notes:  
 1. Ploes:1P  
 2. Undimensioned Tolerances:

Pitch range in mm		Nominal dimension range in mm				—		
to 6	over 6 to 10	over 10 to 24	over 30 to 60	over 60 to 100	over 100 to 150	∩		
±0.10	±0.15	±0.25	±0.2	±0.3	±0.5	±0.7	±1.0	0.05/10

1	DLM2-Label	6050T0901A (H)	1	Paper	
1	DLM2-Housing	6050A0701A (H)	1	PC	UL94V-2
ITEM	NAME OF PART	NO. OF PART	Q'TY	MATERIAL	NOTES

DETACHED LISTS	MM (INCH)	DFTD Apply	DATE 10/20/09*	宁波高正电子有限公司 DEGSON ELECTRONICS CO., LTD
	TOLERANCES EXCEPT AS NOTED		CHKD DATE	
			WFD DATE	
			APPVL DATE	
MM	±	MATERIAL :		NAME
.0 ±	±	G.E :		DLM2-01P-1Y-00Z (H)
.00 ±	±	FINISH:		DRAWING NO. DLM2-E01
.000 ±	±	THIRD ANGLE PROJECTION		SCALE : 1:1
				SIZE A3
				REV TO 03/18/10*
			DD NDT SCALE DRAWING	SHEET 1 OF 1