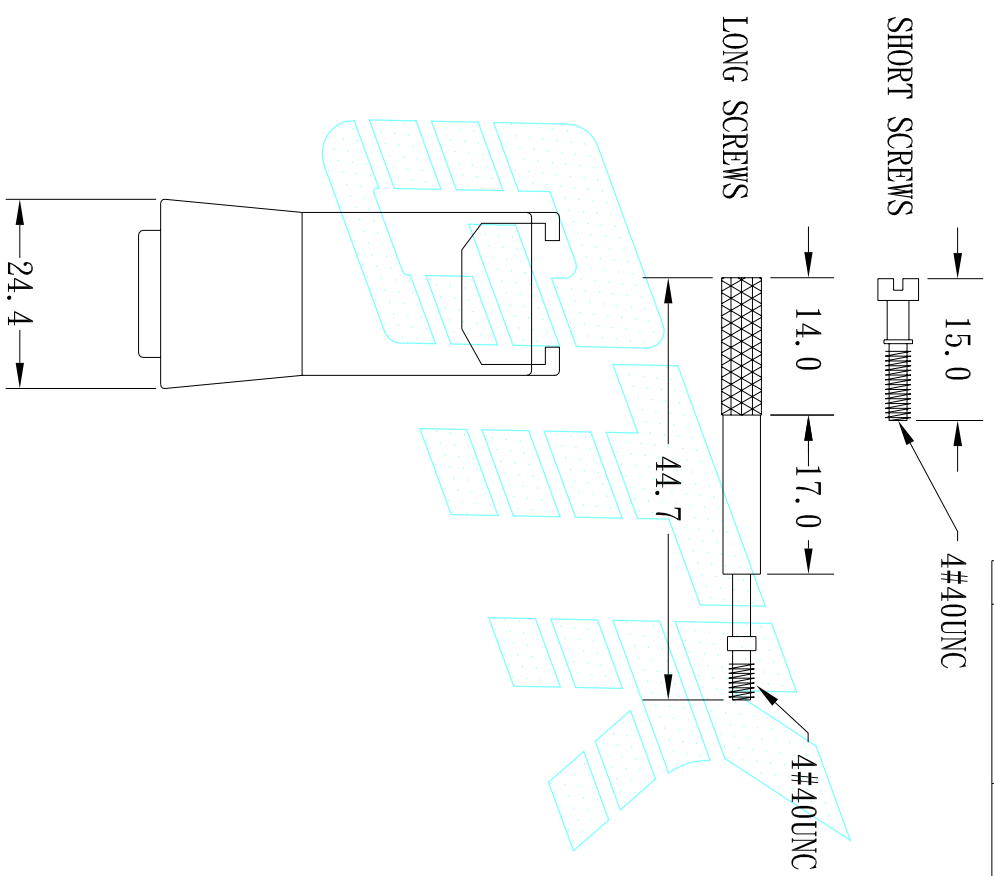
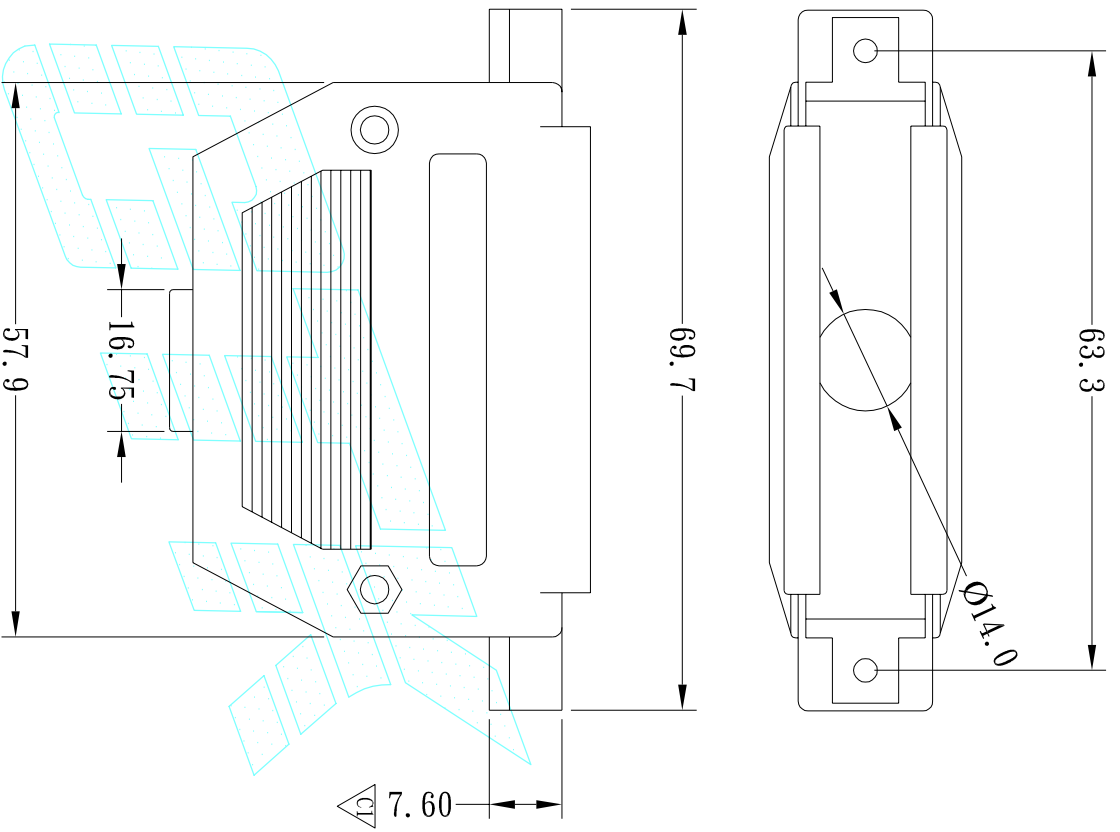


REV	ECN NO.	DESCRIPTION	DATE
A		RELEASE	JAN. 21 '03



- NOTE:
- COVER MATERIAL: A. B. S.  
P=PLASTIC UL94HB  
C=CHROMATED PLATED UL94V-0
  - SCREWS TYPE: T=LONG SCREWS  
S=SHORT SCREWS
  - DIMENSIONS MARKED  $\nabla$ \* TO BE CHECKED BY GTK QC

TOLERANCE UNLESS OTHERWISE SPECIFIED		PROJECTION		TITLE	
LINEAR	ANGLE			GOLD-TEK ELECTRIC CO., LTD.	
X. ±	X°. ±	UNITS	SCALE	D-SUB 37PIN COVER 01 TYPE	PART NO. DH371**
.XX ± 0.35	.XX° ±	MM		CAD NO.	SHEET 1 OF 1
.XX ± 0.25	.XX° ±			F: \Dtw\MP\MP-0158	
.XXX ±	.XXX° ±			CPART NO.	
APPD		SIZE	A4		
CHKD					
DRAW	Z.				

圖面編號:GTKSD1090-A(1)