

RoHS COMPLIANT

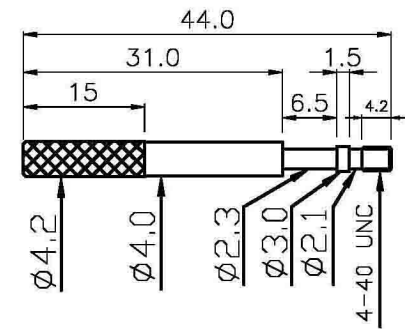
REV	ECN NO.	DESCRIPTION	DATE
A		RELEASE	JAN. 21'03
B		MODIFY P/N	JUL. 26'11
C		REDRAW	SEP. 25'15

MATERIAL:  
INSULATOR : ABS UL94HB  
SCREW: STEEL

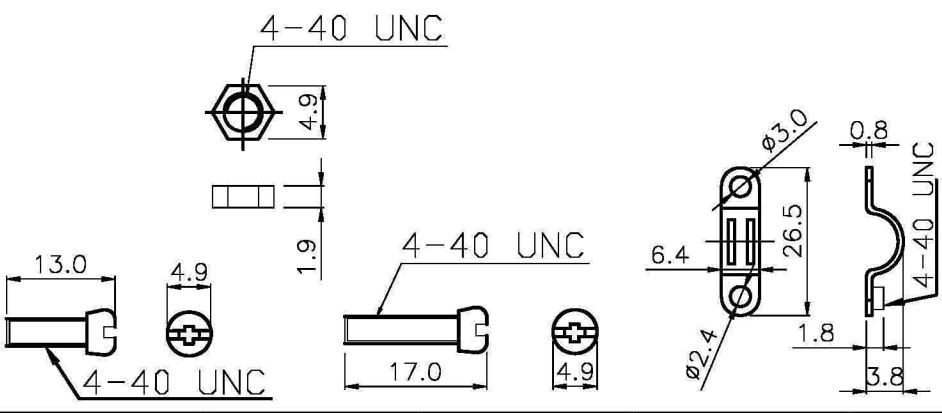
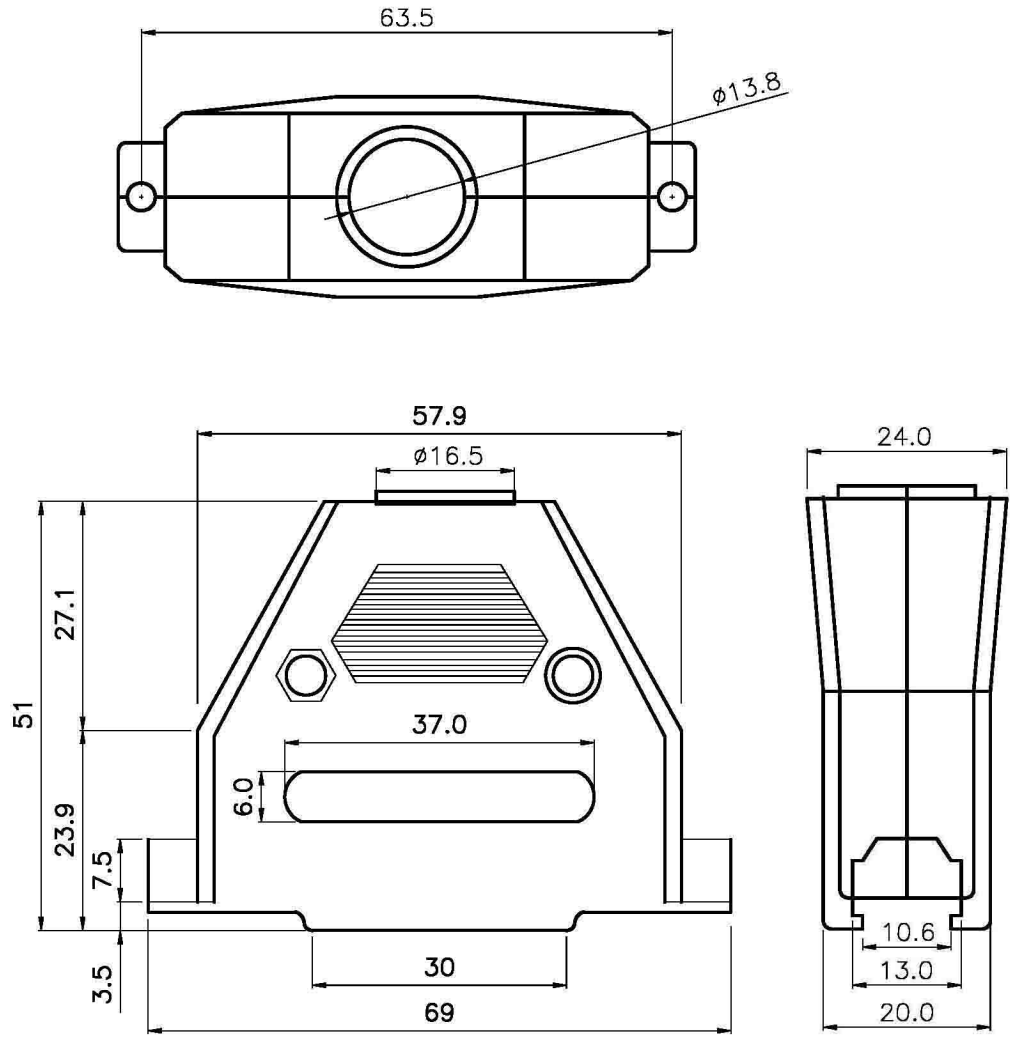
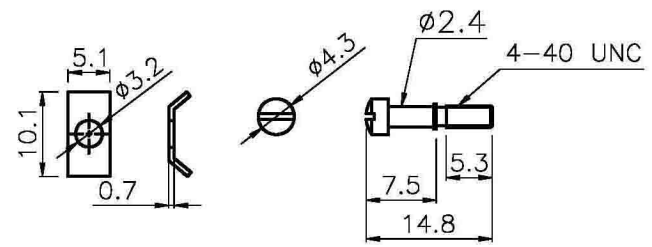
T=LONG SCREW ( 長螺絲 )

DH371 \* \* - \*\*  
a b c

- a.INSULATOR FINISH:  
P=ABS PLASTIC.  
C=CHROMATE PLATED.
- b.PARTS OPTION:  
T=LONG SCREWS.  
S=SHORT SCREWS.
- c.INSULATOR COLOR:  
BLANK=GREY.(STANDARD)  
BK=BLACK.



S=SHORT SCREW ( 短螺絲 )



TOLERANCE UNLESS OTHERWISE SPECIFIED		PROJECTION	GOLD-TEK ELECTRIC CO., LTD.	
LINEAR	ANGLE	UNITS	TITLE	PART NO.
X. ± 0.50	X° ±		D-SUB COVER 37PIN	DH371*(-*)
.X ± 0.40	.X° ±	MM	TYPE 1	CAD NO. I0147A
.XX ± 0.30	.XX° ±	SCALE	CPART NO.	SHEET
.XXX±	.XXX° ±	SIZE		1 OF 1
APPD		A4		
CHKD				
DRAW	Z			
	SEP. 25'2015			

圖面編號:GTKSD1090-C(1)