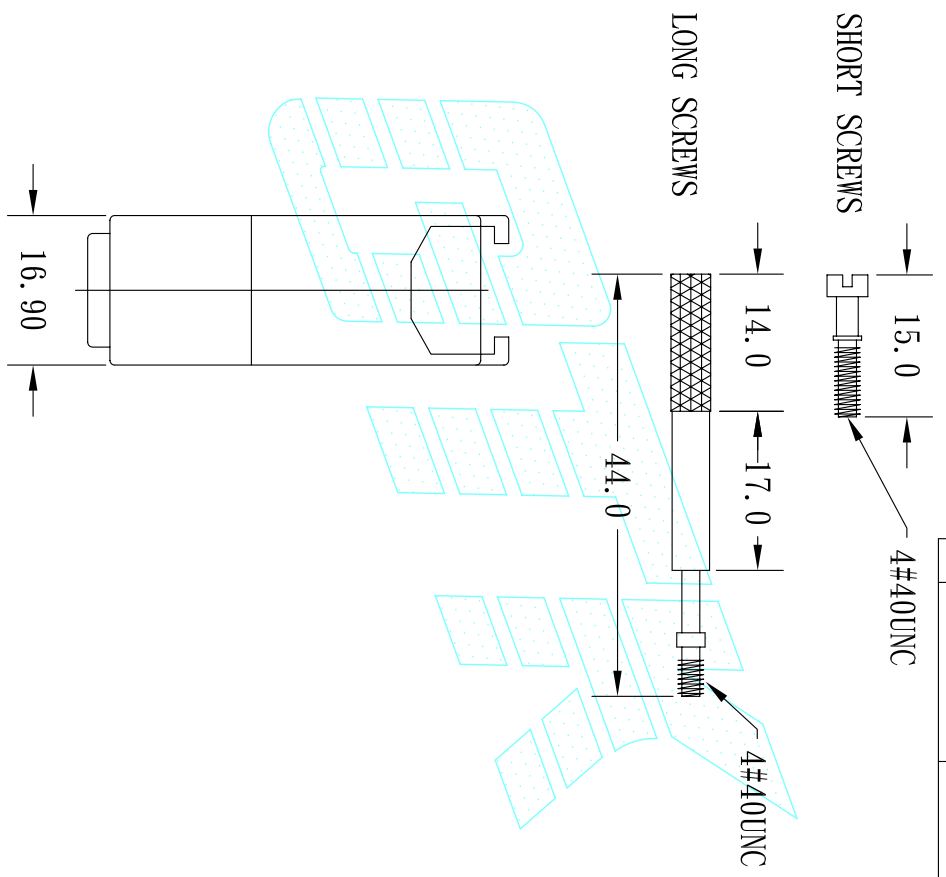
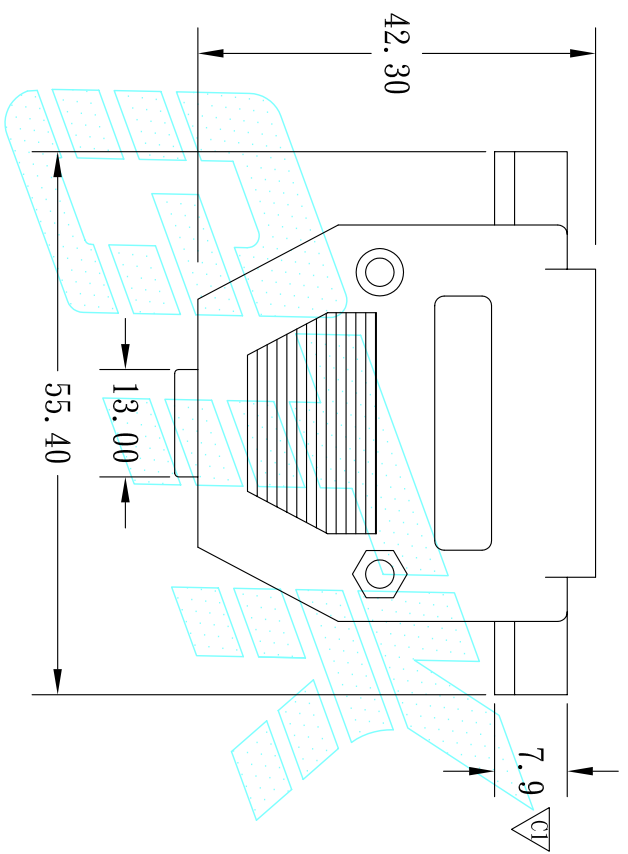
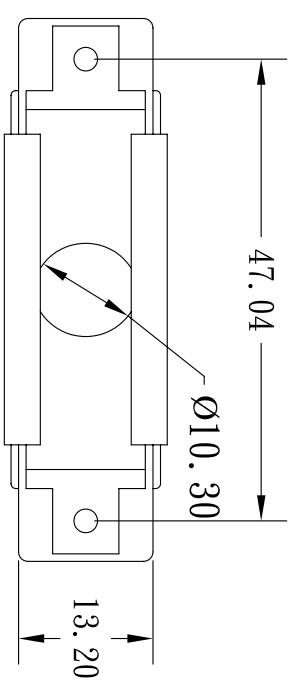


REV	ECN NO.	DESCRIPTION	DATE
A	GTKSD0098	RELEASE	OCT. 03' 02
B		MODIFY	OCT. 03' 02
C		ADD DL	JAN. 21' 03



- NOTE:
- COVER MATERIAL: A. B. S.
P=PLASTIC UL94HB
C=CHROMATED PLATED UL94V-0
 - SCREWS TYPE: T=LONG SCREWS
S=SHORT SCREWS
 - DIMENSIONS MARKED TO BE CHECKED BY GTK QC
 - /RH=RoHS Compliant

TOLERANCE UNLESS OTHERWISE SPECIFIED		PROJECTION		TITLE	
LINEAR	ANGLE			D-SUB 25PIN COVER 01 TYPE	
X. ±	X°. ±	UNITS		PART NO.	
X. ±	X°. ±	MM		DH251** (RH)	
.XX ±	.XX°. ±	SCALE		CAD NO. 1147	
.XXX ±	.XXX°. ±	SIZE		F:\Dfw\MP\MP-0147	
APPD		A4		SHEET 1 OF 1	
CHKD					
DRAW	Z.	JAN. 21' 2003			

GOLD-TEK ELECTRIC CO., LTD.

圖面編號:GTKSD0098-C(1)