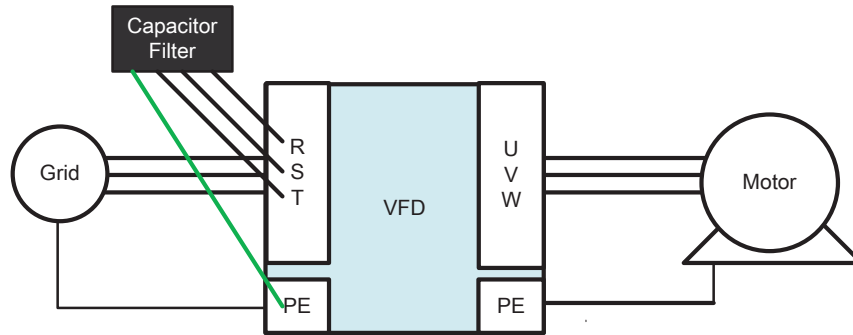


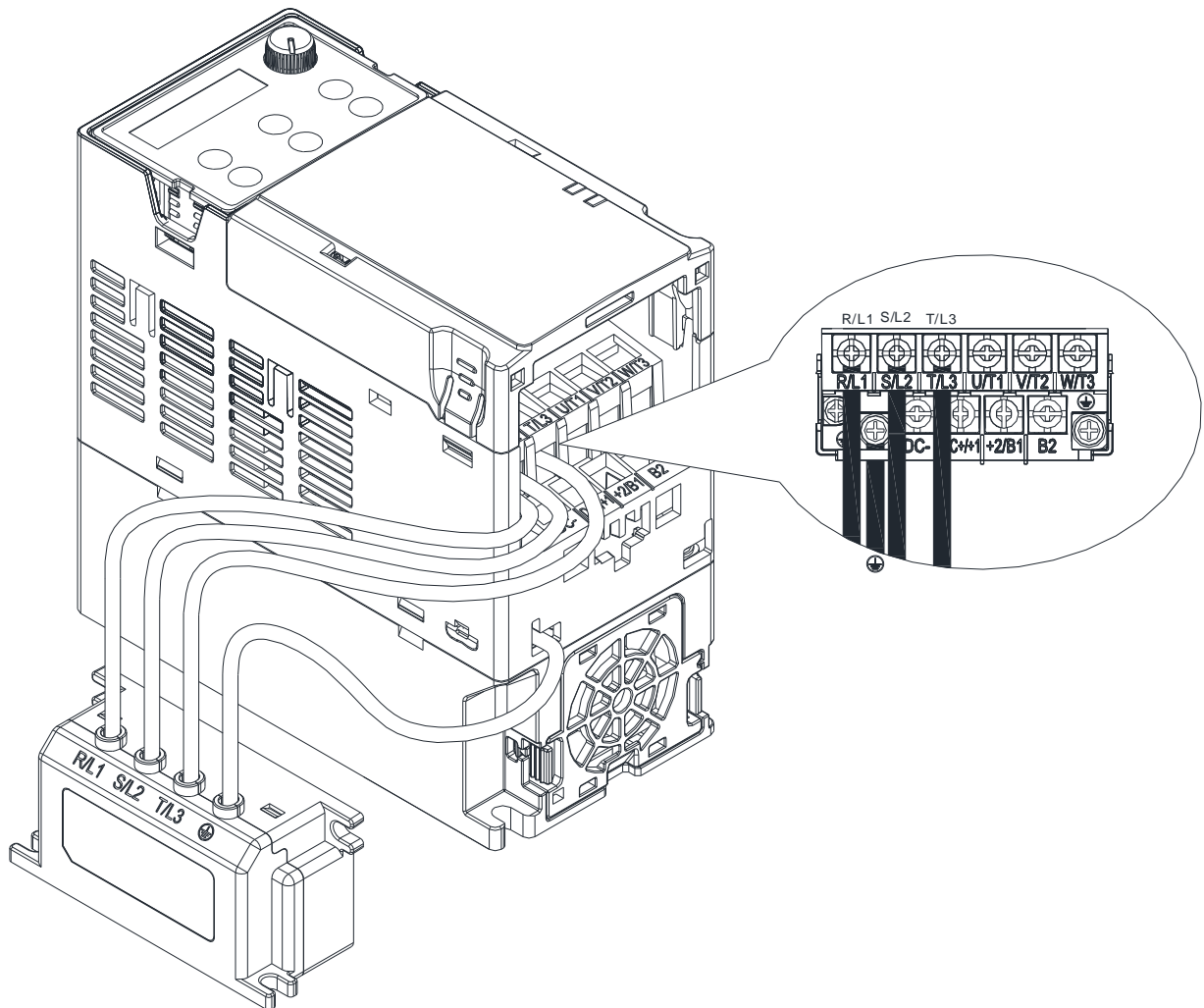
7-8 Capacitive Filter

Installation diagram:

The capacitive filter (CXY101-43A) is a simple filter which can support basic filtering and noise interference reduction.



Capacitive filter and drive wiring figure :



Specification:

Model	Capacitance	Temperature range
CXY101-43A	Cx : 1 μ F \pm 20 % Cy : 0.1 μ F \pm 20 %	-40 ~ +85°C

Dimension :

CXY101-43A

Unit : mm [inch]

