



SHENZHEN BREE LIGHTING Co., LIMITED

Bld. M & J, Maoyuan Industrial Park, Zhangkengjing, Guanlan, Baoan, Shenzhen, Guangdong, China

Tel : +86-755-29739398/29676092


Fax: +86-755-89328498

E-mail: sales@breeighting.com

Web: www.breegroup.com

< Specifications. >

Version:A0

(PIC) Model No.				
	BR-FL100W-01(ID:VA)			

Photoelectric Spec

Item	Power	Input Voltage	Input Frequency	Leds	Power Factor	LuminousFlux	Beam Angle	Weight
BR-FL100W-01(ID:VA)	100W	AC100-240V	50/60HZ	SMD5730	>0.9	10000 Lm	120°	3.74kg

Light Source Spec

LED Type	SMD5730
Color Accuracy(CRI)	CRI>70
Color	WW(3000-3500K) NW(4000-4500K) CW(5000-6500K)

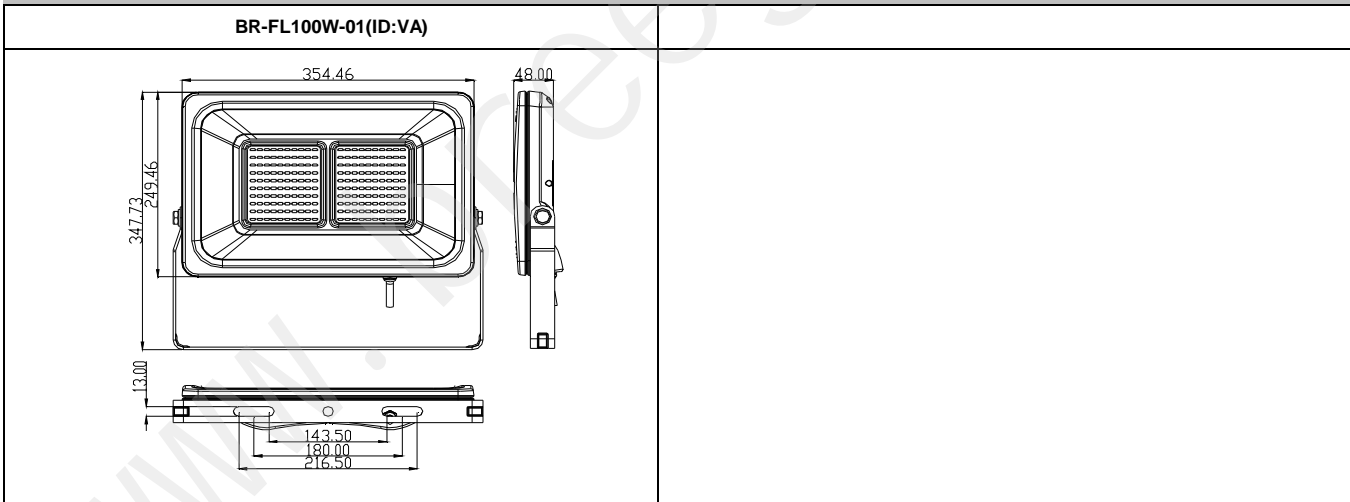
Environment Spec.

Operational Temperature Range	-20~50 °C
Preservation Temperature Range	-40~60 °C
Operational Humidity Range	95% Rh or below(@-20°C~50°C)
Installation Area	Outdoor:IP65(Roadway, Pathway, Sidewalk,etc)
Lifespan	2 Years

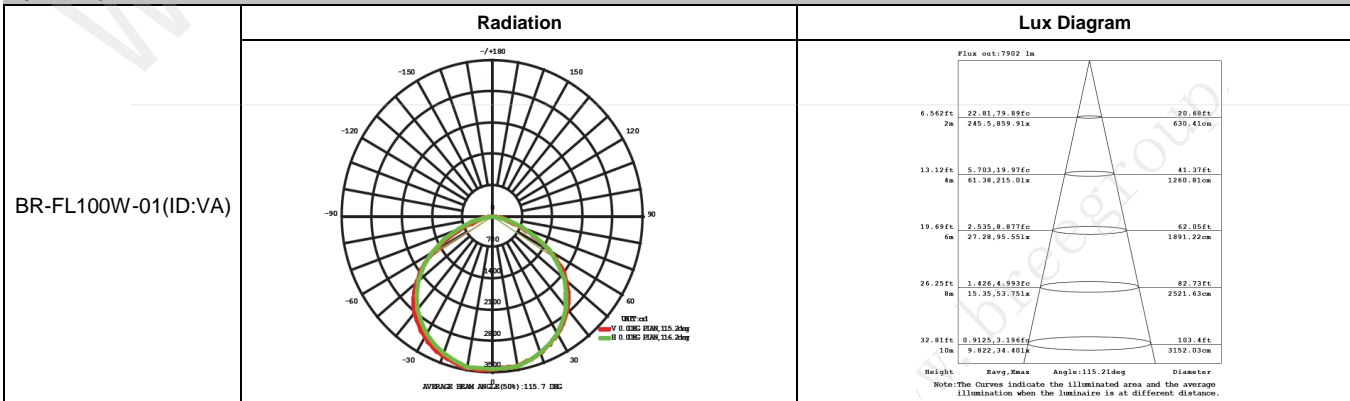
Certification standard



Dimension Diagram

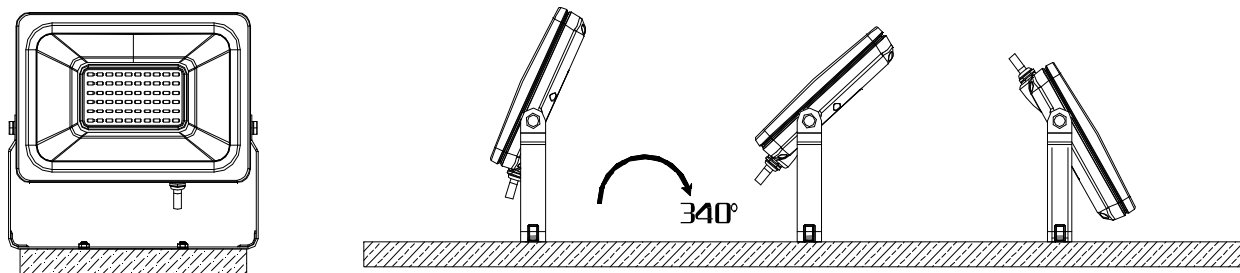


Optical Spec



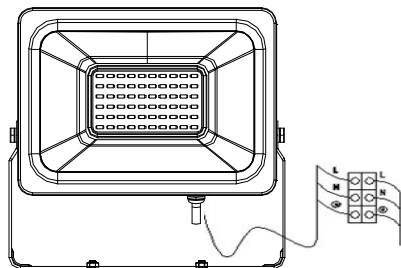
Installation and use

1. Install the LED Floodlight onto the wall or ground, punch hole on the wall or ground, prepare the expansion screw, and then fasten the floodlight. First, adjust the angle you need, finally fasten the floodlights with screws



2. Connect the power wire from the Main line to the power wire of the lamp, and then make treatment for water resistance. Pls note that the Brown color wire is Live wire, Blue wire is Null line, the yellow and green wire is Earth line.

3. Turn on the power supply to ensure the light is working, installed.



Attention

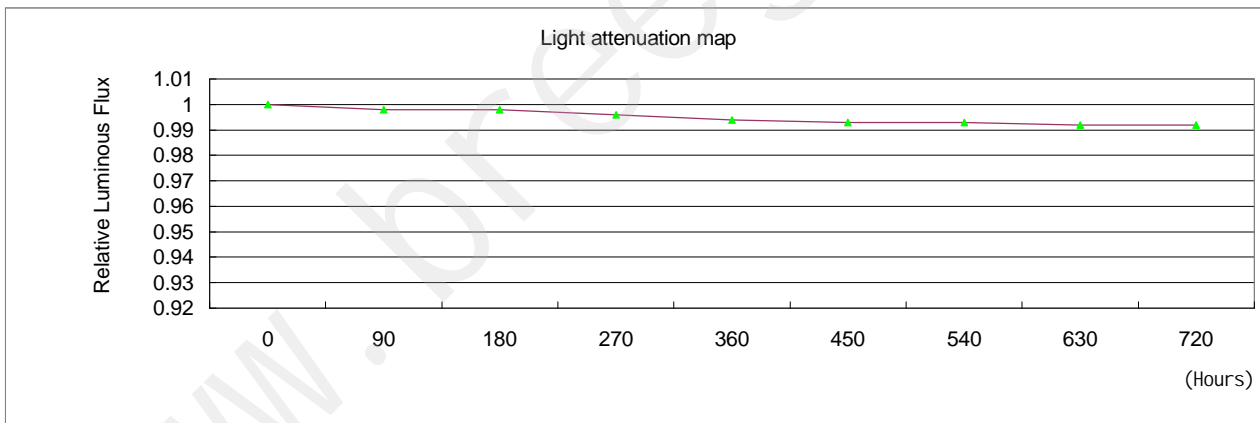
1. Please turn off the power supply before installation or changing assembly parts.
2. The input voltage and the lamp should be adapted. After connecting the power line, please make sure the wiring section is insulated.
3. Non-professionals, must not install or dismantle the lamps.
4. All the lights during installation and in use should not be put with glass cover vertically upside.

Packing Spec

Item	Box			Carton		
	Measurement (mm)	Gross weight	Pcs/box	Measurement(mm)	Gross weight	Pcs/carton
BR-FL100W-01(ID:VA)	L385*W275*H80	3.74kg	1	L405*W295*H350	16.9kg	4

Remarks:

1. White light series: WW (3000-3500K) NW (4000-4500K) CW (5000-6500K)
2. Luminous flux tolerance for $\pm 10\%$
3. Products shall be subject to any changes without prior notices.



Through the 720H accelerated aging test, high and low temperature prediction in the rated under the working conditions after 25000H, will provide an average 70% optic maintenance ratio (L70).