

承 认 书

TECHNICAL DATASHEET

客户简称 (Client): Electronics Source Co., Ltd

经 办 者 (Director): Elsa

产品名称(P. N.): SMD 1204 LED (GREEN)

型 号 (Part NO.): AL-S1204VGC/50-14M

版 本 (Revision): 1

发出日期 (Issue Date): 2016-05-17

认定日期 (Approval Date):

RECEIVED			
CUSTOMER	DESIGNER	CHECKER	APPROVER

APPROVER	CHECKER	DESIGNER
KJ	LIAN	SHEN

REVISION	DESCRIPTION	RELEASE DATE

东莞市致鼎电子科技有限公司

地址: 广东省东莞市东城区下桥银岭工业区 8 号

电话: 0769-22665151 传真: 0769-22665155 Email: admin@zhidingled.com

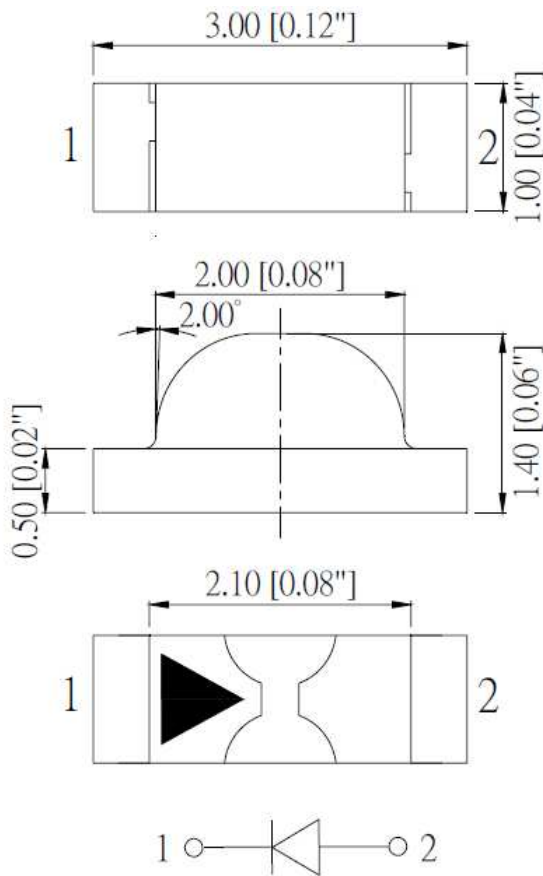
■ Typical Applications

- Automotive: Dashboards, stop lamps, turn signals.
- Backlighting: LCDs, Key pads advertising.
- Status indicators: Consumer & industrial electronics.
- General use.

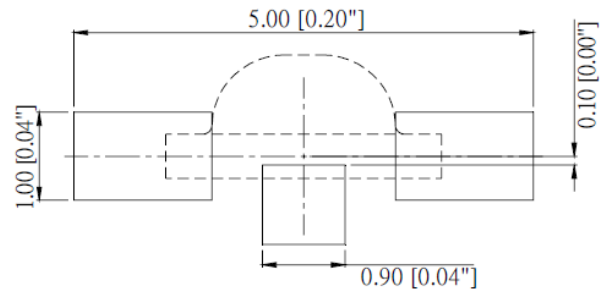
■ Features :

- Chip Material: AlInGaP
- Lens Color: Water Clear
- Emitted Color: Yellow Green
- 3.0×1.0×1.4mm (1204) standard package.
- Suitable for all SMT assembly methods.
- Compatible with infrared and vapor phase reflow solder process.
- Compatible with automatic placement equipment.

■ Package Dimensions:



Recommend Pad Layout



Notes:

1. All dimensions are in millimeters (inches).
2. Tolerance is $\pm 0.10\text{mm}$ (0.004') unless otherwise specified.

■ Absolute Maximum Ratings at Ta=25°C:

Parameter	Symbol	Maximum	Unit
Power Dissipation	Pd	70	mW
Peak Forward Current (Duty 1/10 @1KHz)	I _{FP}	100	mA
Forward Current	I _F	30	mA
Reverse Voltage	V _R	5	V
Operating Temperature Range	T _{opr}	-25°C to + 80°C	
Storage Temperature Range	T _{stg}	-30°C to + 85°C	
Lead Soldering Temperature [2.0mm from body]	T _{sol}	Preheating: 140°C~160°C±5°C, within 2 minutes. Operation heating:260°C(Max) within 10 seconds.(Max) Gradual Cooling (Avoid quenching).	

■ Electrical/Optical Characteristics at Ta=25°C:

Parameter	Symbol	Test Condition	Min.	Typ.	Max.	Unit
Luminous Intensity	I _v	I _F =20mA	20	40	—	mcd
Dominant Wavelength	λ _d	I _F =20mA	565	—	575	nm
Forward Voltage	V _F	I _F =20mA	1.8	—	2.4	V
Viewing Angle	2θ _{1/2}	I _F =20mA	—	120	—	deg
Reverse Current	I _R	V _R =5V	—	—	10	uA

Notes:

1. Tolerance of Luminous Intensity ±15%
2. Tolerance of Forward Voltage ±0.1V

■Reliability Test Items

The reliability of products shall be satisfied with items listed below.

Confidence level: 90%

LTPD: 10%

No	Item	Test Conditions	Test Hours/Cycle	Sample Size	Ac/Re
1	Reflow Soldering	Temp. : 260°C±5°C Min. 5 sec.	6 Min.	22PCS	0/1
2	Temperature Cycle	H : +100°C 15min ∫ 5 min L : -40°C 15min	300 Cycles	22PCS	0/1
3	Thermal Shock	H : +100°C 5min ∫ 10 sec L : -10°C 5min	300 Cycles	22PCS	0/1
4	High Temperature Storage	Temp. : 100°C	1000 Hrs.	22PCS	0/1
5	Low Temperature Storage	Temp. : -40°C	1000 Hrs.	22PCS	0/1
6	DC Operating Life	IF = 20 mA / 25°C	1000 Hrs.	22PCS	0/1
7	High Temperature / High Humidity	85°C/85%RH	1000 Hrs.	22PCS	0/1

Note:

Ivt: To test Iv value of the chip before the reliability test

Iv: The test value of the chip that has completed the reliability test

U: Upper Specification Limit

L: Lower Specification Limit

■Precautions in Use:

Storage

Recommend storage environment

Temperature: 5°C ~ 30°C (41°F ~ 86°F)

Humidity: 60% RH Max.

Use within 7 days after opening of sealed vapor/ESD barrier bags.

If the moisture absorbent material (silica gel) has faded away or the LEDs have exceeded the storage time, baking treatment should be performed using the following conditions.

Baking treatment: 60±5°C for 24 hours.

Fold the opened bag firmly and keep in dry environment.

Soldering

Reflow Soldering

Recommend use of upper and lower heater type reflow furnace.

260°C Max for up to 10 seconds, one time only.

Pre-heat is 150°C Max for up to 2 minutes Max.

In case of screen-printing, keep metal mask thickness between 0.2mm and 0.3mm.

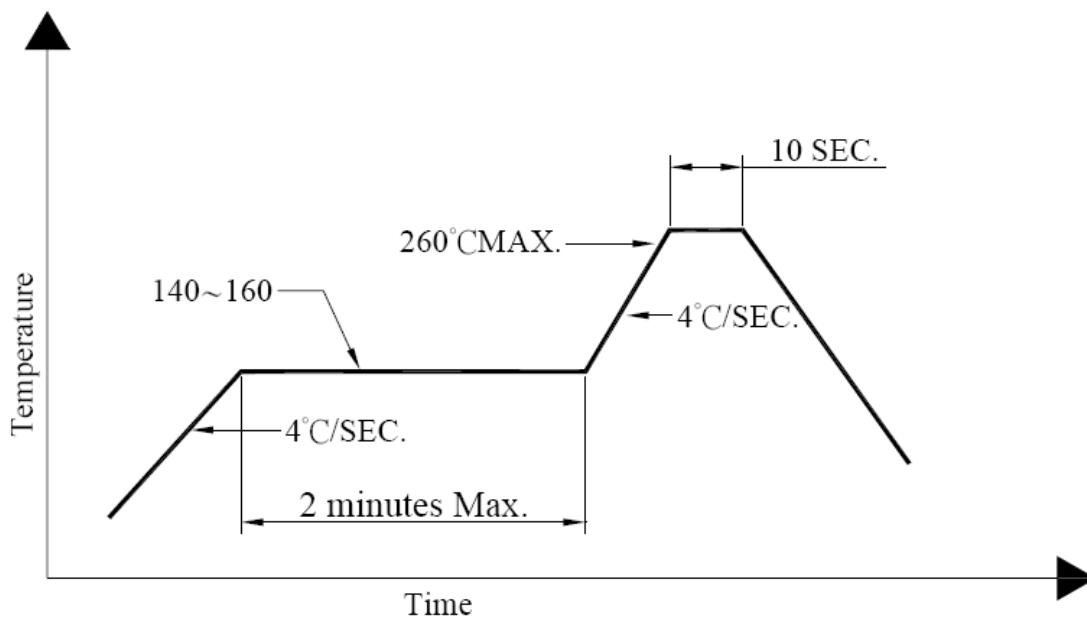
Cleaning

Surface condition of this device may change when organic solvents such as trichloroethylene or acetone were applied.

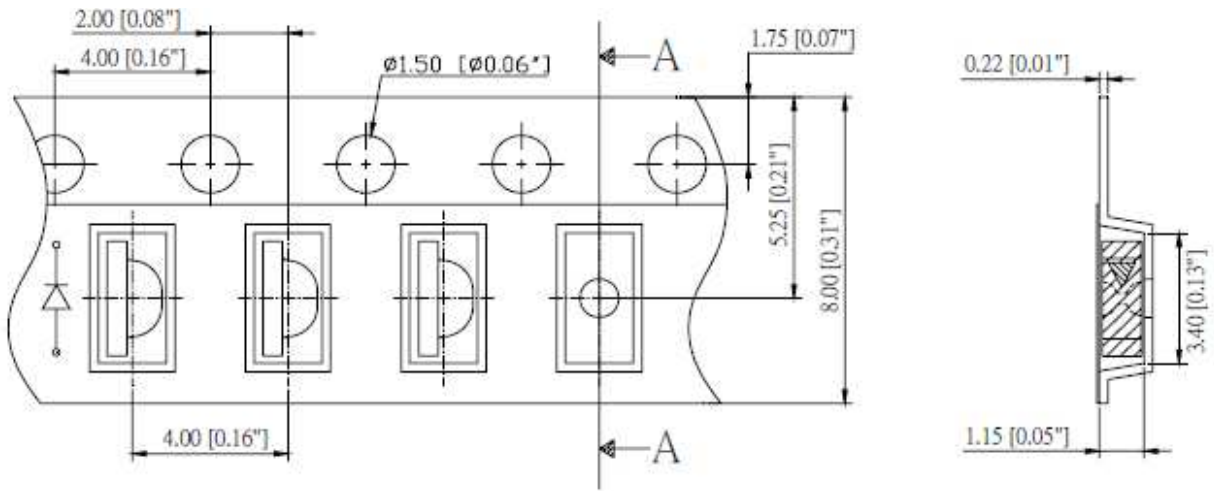
Avoid using organic solvent.

Recommend ultrasonic method 300W Max.

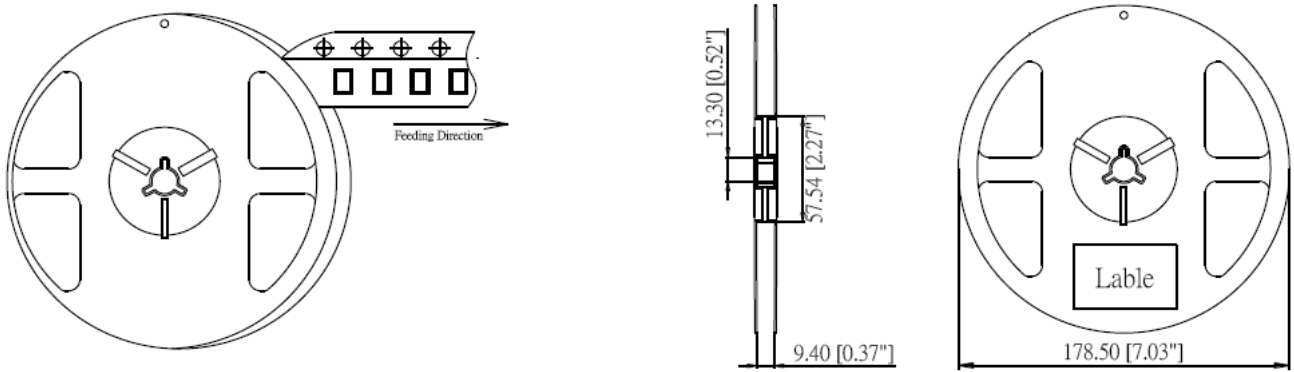
Reflow Soldering Temp/Time:



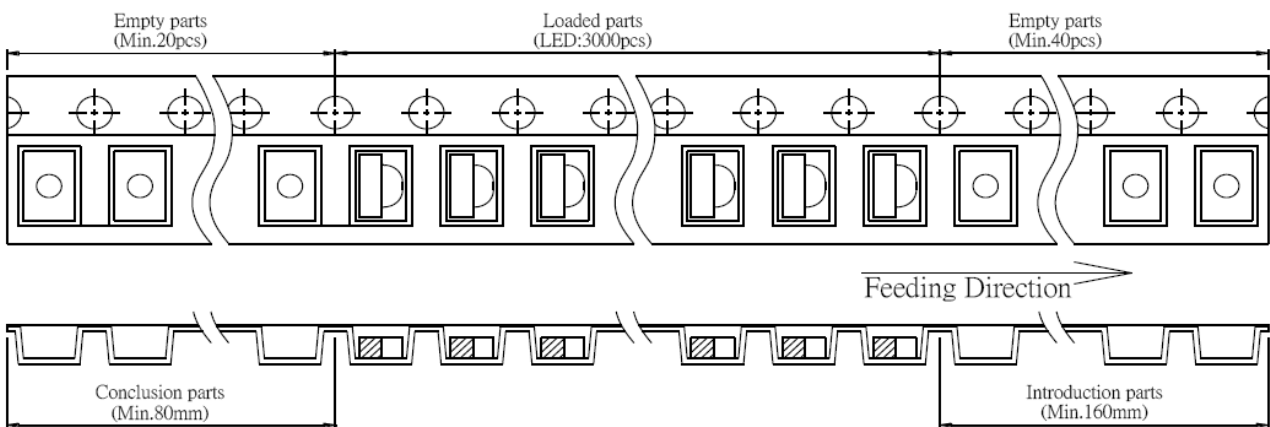
■ Carrier Tape Dimensions: Loaded quantity 3000 PCS per reel



■ Moisture Resistant Packaging



■ Reel Dimensions



Notes:

1. All dimensions are in mm, tolerance is $\pm 2.0\text{mm}$ unless otherwise noted.
2. Specifications are subject to change without notice.