



深圳市秋田视佳实业有限公司
SHENZHEN AV-DISPLAY CO.,LTD.

深圳秋田视佳实业有限公司

地址：深圳市华侨城东部工业区文昌街东北 C-7 栋

电话：(086) 0755-88860696 传真：(086) 0755 -26911092

网址：[Http://www.av-display.com.cn](http://www.av-display.com.cn)

SHENZHEN AV-DISPLAY CO.,LTD

Address: North East C-7 Building, Wenchang

Street Eastern District, OCT, ShenZhen, China

TEL: (086) 0755-88860696 FAX: (086) 0755-26911092

[Http://www.av-display.com.cn](http://www.av-display.com.cn)

**SPECIFICATION
FOR
LCM MODULE**

**MODULE NO.: ABC040002A05-BIW-R
DOC. REVISION 00**

Customer Approval:

| |
|--|
| |
|--|

| | SIGNATURE | DATE |
|------------------------------|-----------|-------------|
| PREPARED BY (RD ENGINEER) | | JUL-30-2007 |
| PREPARED BY (QA ENGINEER) | | |
| CHECKED BY | | |
| APPROVED BY | | |



CONTENTS

| | |
|---|-------------|
| 1. Functions & Features | 1 |
| 2. Mechanical specifications | 1 |
| 3. Block diagram | 1 |
| 4. Dimensional Outline | 2 |
| 5. Pin description | 3 |
| 6. Maximum absolute limit | 3 |
| 7. Electrical characteristics | 3 |
| 8. Backlight Characteristics | 4 |
| 9. Electro-Optical characteristics | 4 |
| 10. Timing Characteristics | 4~5 |
| 11. Control and display command | 6 |
| 12. Character ROM | 7 |
| 13. Quality Specifications | 8~16 |



1. FUNCTIONS & FEATURES

| | |
|--|--|
| 1.1. Format | : 40x2 characters |
| 1.2. LCD mode | : STN /Blue/Negative Transmissive Mode |
| 1.3. Viewing direction | : 6 o'clock |
| 1.4. Driving scheme | : 1/16 Duty , 1/5 Bias |
| 1.5. Power supply voltage (V _{DD}) | : 5.0V |
| 1.6. LCD driving voltage (V _{op}) | : 4.5V(Reference for best contrast) |
| 1.7. Operation temp | : -20~70°C |
| 1.8. Storage temp | : -30~80°C |
| 1.9. Backlight color | : White |
| 1.10. RoHS standard | |

2. MECHANICAL SPECIFICATIONS

| | |
|----------------------|---------------------------------------|
| 2.1. Module size | : 182.0mm(L)*33.5mm(W)* Max13.4 mm(H) |
| 2.2. Viewing area | : 154.5mm(L)*15.8mm(W) |
| 2.3. Character pitch | : 3.70mm(L)*5.95mm(W) |
| 2.4. Character size | : 3.20mm(L)*5.55mm(W) |
| 2.5. Dot pitch | : 0.65mm(L)*0.70mm(W) |
| 2.6. Dot size | : 0.60mm(L)*0.65mm(W) |
| 2.7. Weight | : Approx. |

3. BLOCK DIAGRAM

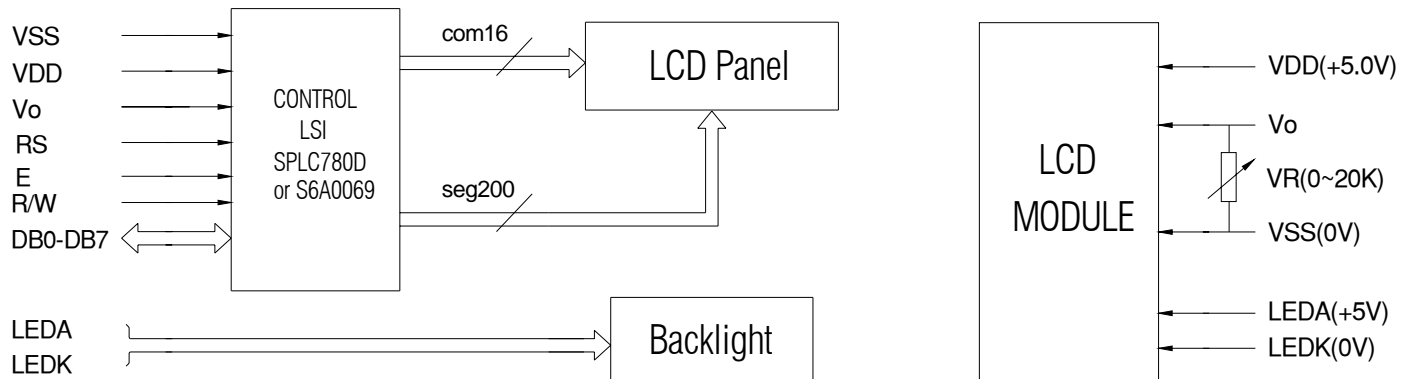
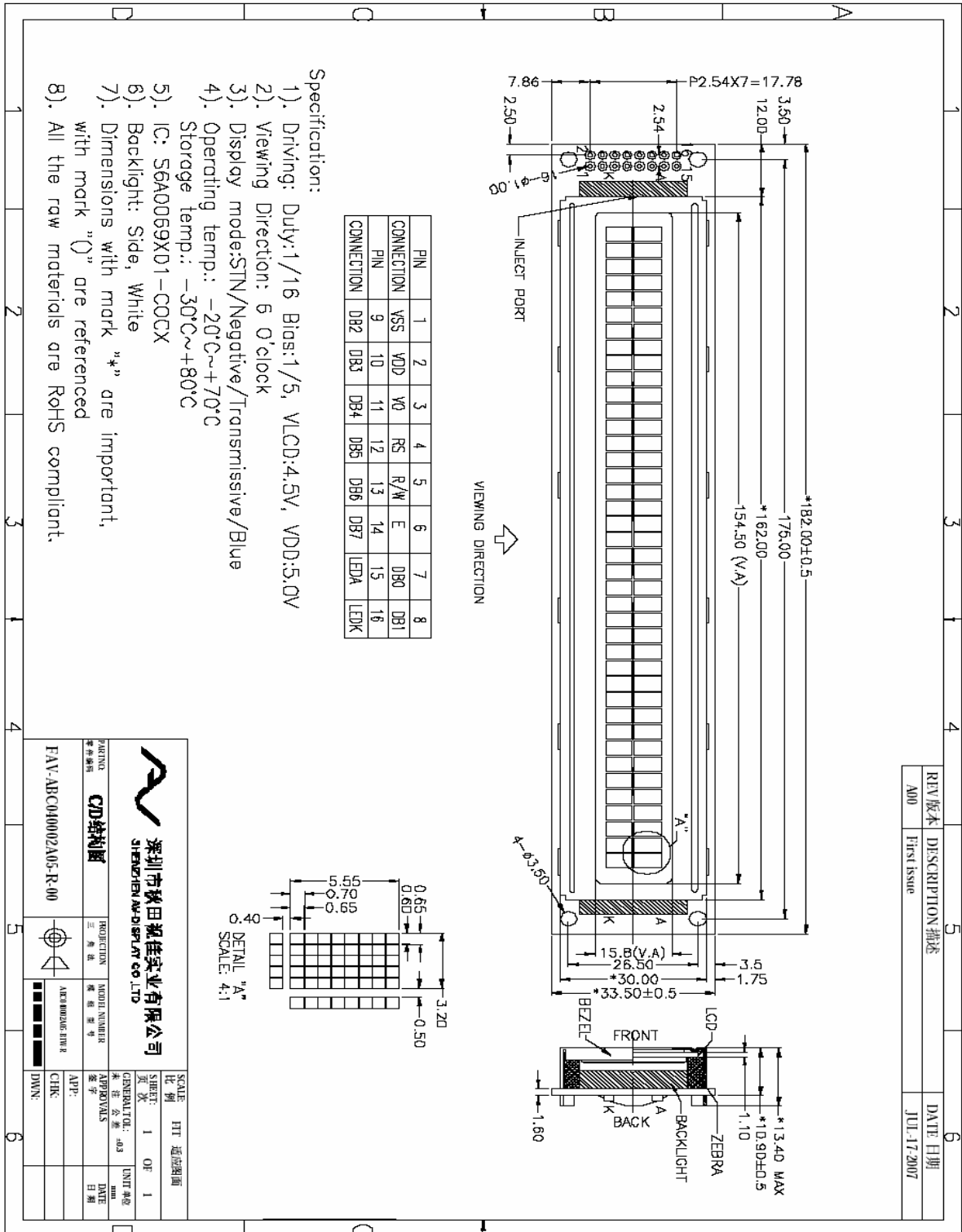


Figure 2. Block diagram



4. DIMENSIONAL OUTLINE





5. PIN DESCRIPTION

| No. | Symbol | Function |
|------|---------|---|
| 1 | VSS | GND(0V) |
| 2 | VDD | Power supply for Logic(+5.0V) |
| 3 | V0 | Power supply for LCD drive |
| 4 | RS | Register selection (H: Data register , L :Instruction register) |
| 5 | R/W | Read/write selection (H: Read , L: Write) |
| 6 | E | Enable signal for LCM |
| 7-14 | DB0~DB7 | Data Bus lines |
| 15 | LEDA | Power supply for backlight (5.0V) |
| 16 | LEDK | Power supply for backlight (0V) |

6. MAXIMUM ABSOLUTE LIMIT

| Item | Symbol | MIN | MAX | Unit |
|-------------------------------|----------------------------|-----------------------|----------------------|------|
| Supply Voltage for Logic | V _{DD} | -0.3 | 7.0 | V |
| Supply Voltage for LCD | V ₀ | V _{DD} -15.0 | V _{DD} +0.3 | V |
| Input Voltage | V _{in} | -0.3 | V _{DD} +0.3 | V |
| Supply Current for Backlight | I _F (Ta = 25°C) | --- | 80+80*20% | mA |
| Reverse Voltage for Backlight | V _R (Ta = 25°C) | --- | 10 | V |
| Operating Temperature | T _{op} | -20 | 70 | □ |
| Storage Temperature | T _{st} | -30 | 80 | □ |

7. ELECTRICAL CHARACTERISTICS

| Item | Symbol | Condition | Min | Typ | Max | Unit |
|--------------------------|----------------------------------|-----------|--------------------|-----|--------------------|------|
| Supply Voltage for Logic | V _{DD} -V _{SS} | Ta = 25°C | 4.75 | 5.0 | 5.25 | V |
| Input High Voltage | V _{IH} | Ta = 25°C | 0.7V _{DD} | --- | V _{DD} | V |
| Input Low Voltage | V _{IL} | Ta = 25°C | 0 | --- | 0.3V _{DD} | V |
| Output High Voltage | V _{OH} | Ta = 25°C | 2.4 | --- | --- | V |
| Output Low Voltage | V _{OL} | Ta = 25°C | --- | --- | 0.4 | V |
| Supply Current | I _{DD} | Ta = 25°C | --- | 2.0 | --- | mA |

8. BACKLIGHT CHARACTERISTICS

Ta = 25°C

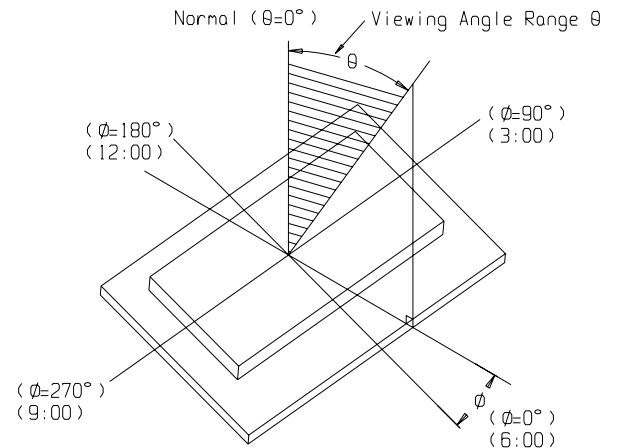
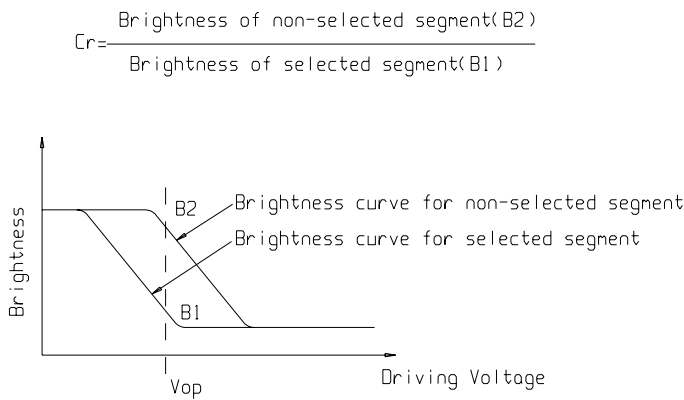
| Item | Symbol | Condition | Min | Typ | Max | Unit |
|--|----------------|----------------------|-------|-----|------|-------------------|
| Forward Voltage | V _F | I _F =80mA | 3.1 | 3.2 | 3.5 | V |
| Reverse Current | I _R | V _R =10V | --- | 80 | --- | uA |
| Luminous Intensity (With LCD dots off) | I _V | I _F =80mA | --- | --- | --- | Cd/m ² |
| Wave length(Without LCD) | X | | 0.27 | | 0.31 | |
| | Y | | 0.27 | | 0.31 | |
| Color | | | White | | | |



9. ELECTRO-OPTICAL CHARACTERISTICS

($V_{OP}=4.5V$, $T_a = 25^{\circ}C$)

| Item | Symbol | Condition | Min | Typ | Max | Unit |
|---------------------|----------|-------------|-----|-----|-----|------|
| Operating Voltage | Vop | Ta = -20°C | 4.9 | 5.1 | 5.3 | V |
| | | Ta = 25°C | 4.2 | 4.5 | 4.8 | |
| | | Ta = 70°C | 3.7 | 3.9 | 4.0 | |
| Response time | Tr | Ta = 25°C | --- | 185 | --- | ms |
| | Tf | | --- | 200 | --- | ms |
| Contrast | Cr | Ta = 25°C | --- | 4 | --- | --- |
| Viewing angle range | θ | Cr \geq 2 | -40 | --- | +40 | deg |
| | Φ | | -40 | --- | +40 | deg |



10. TIMING CHARACTERISTICS (Please refer SAMSUNG S6A0069 DATASHEES)

| Mode | Characteristic | Symbol | Min. | Typ. | Max. | Unit |
|--------------------------------|---------------------------|--------------------------------|------|------|------|------|
| Write Mode (Refer to Fig-6) | E Cycle Time | tc | 500 | - | - | ns |
| | E Rise / Fall Time | t _R ,t _F | - | - | 20 | |
| | E Pulse Width (High, Low) | tw | 230 | - | - | |
| | R/W and RS Setup Time | tsu1 | 40 | - | - | |
| | R/W and RS Hold Time | t _{H1} | 10 | - | - | |
| | Data Setup Time | tsu2 | 80 | - | - | |
| | Data Hold Time | t _{H2} | 10 | - | - | |
| Read Mode (Refer to Fig-7) | E Cycle Time | tc | 500 | - | - | ns |
| | E Rise / Fall Time | t _R ,t _F | - | - | 20 | |
| | E Pulse Width (High, Low) | tw | 230 | - | - | |
| | R/W and RS Setup Time | tsu | 40 | - | - | |
| | R/W and RS Hold Time | t _H | 10 | - | - | |
| | Data Output Delay Time | t _D | - | - | 120 | |
| | Data Hold Time | t _{DH} | 5 | - | - | |

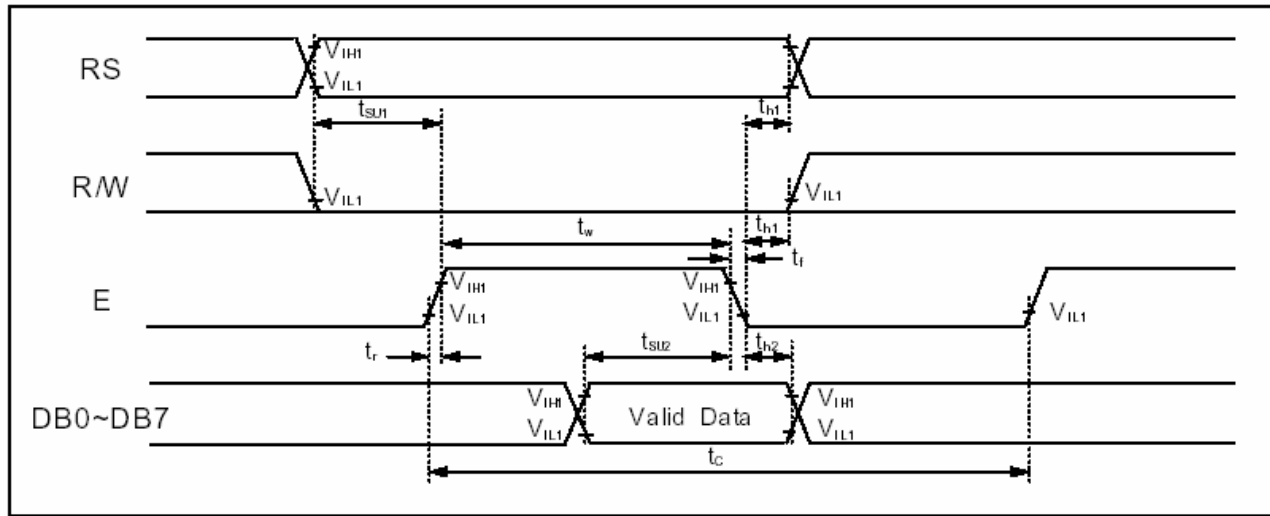


Figure 6 . Write Mode Timing Diagram

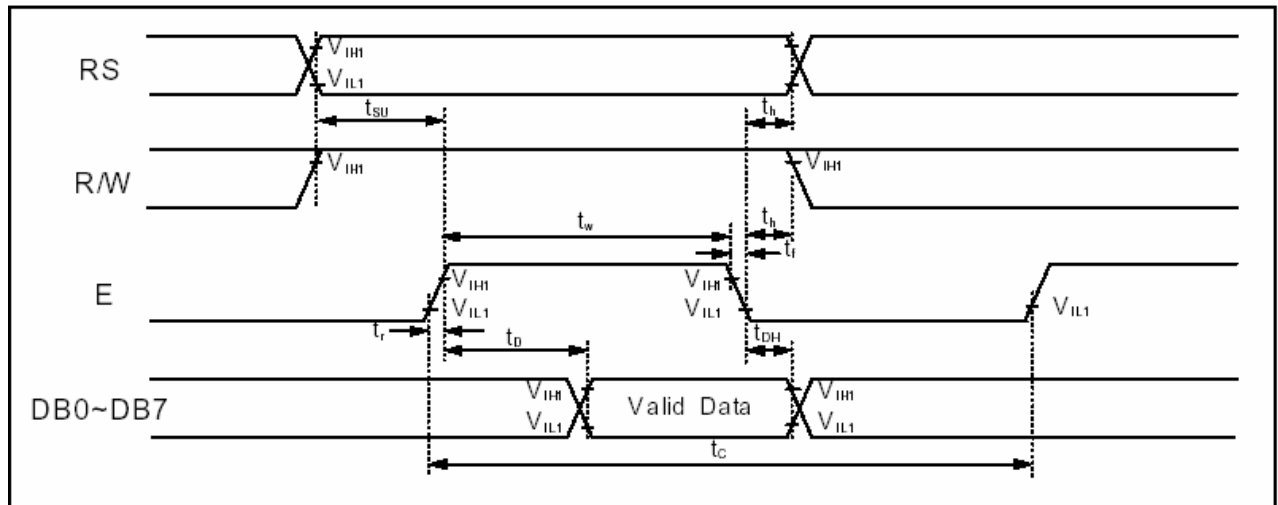


Figure 7 . Read Mode Timing Diagram



11. CONTROL AND DISPLAY INSTRUCTION (Please refer SAMSUNG S6A0069 DATASHEES)

| Instruction | Instruction Code | | | | | | | | | | Description | Execution time (fosc=270KHz) | |
|------------------------------------|------------------|----|-----|-----|-----|-----|-----|-----|-----|-----|--|---|------|
| | RS | RW | DB7 | DB6 | DB5 | DB4 | DB3 | DB2 | DB1 | DB0 | | | |
| Clear Display | 0 | 0 | 0 | 0 | 0 | 0 | 0 | 0 | 0 | 1 | Write "20H" to DDRAM and set DDRAM address to "00H" from AC | 1.52ms | |
| Return Home | 0 | 0 | 0 | 0 | 0 | 0 | 0 | 0 | 0 | 1 | Set DDRAM address to "00H" from AC and return cursor to its original position if shifted. The contents of DDRAM are not changed. | 1.52ms | |
| Entry Mode Set | 0 | 0 | 0 | 0 | 0 | 0 | 0 | 0 | 1 | I/D | S | Assign cursor moving direction and enable the shift of entire display | 38μs |
| Display ON/OFF Control | 0 | 0 | 0 | 0 | 0 | 0 | 0 | 1 | D | C | B | Set display(D), cursor(C), and blinking of cursor(B) on/off control bit. | 38μs |
| Cursor or Display Shift | 0 | 0 | 0 | 0 | 0 | 0 | 1 | S/C | R/L | - | - | Set cursor moving and display shift control bit, and the direction, without changing of DDRAM data. | 38μs |
| Function Set | 0 | 0 | 0 | 0 | 0 | 1 | DL | N | F | - | - | Set interface data length (DL: 8-bit/4-bit), numbers of display line (N: 2-line/1-line) and, display font type (F:5x10 dots/5x8 dots) | 38μs |
| Set CGRAM Address | 0 | 0 | 0 | 1 | AC5 | AC4 | AC3 | AC2 | AC1 | AC0 | | Set CGRAM address in address counter. | 38μs |
| Set DDRAM Address | 0 | 0 | 1 | AC6 | AC5 | AC4 | AC3 | AC2 | AC1 | AC0 | | Set DDRAM address in counter | 38μs |
| Read Busy Flag and Address Counter | 0 | 1 | BF | AC6 | AC5 | AC4 | AC3 | AC2 | AC1 | AC0 | | Whether during internal operation or not can be known by reading BF. The contents of address counter can also be read. | |
| Write Data to RAM | 1 | 0 | D7 | D6 | D5 | D4 | D3 | D2 | D1 | D0 | | Write data into internal RAM (DDRAM/CGRAM). | 38μs |
| Read Data from RAM | 1 | 1 | D7 | D6 | D5 | D4 | D3 | D2 | D1 | D0 | | Read data from internal RAM (DDRAM/CGRAM). | 38μs |



12.CHARACTER ROM

| Upper 4 bit Lower 4 bit | Upper 4 bit | | | | | | | | | | | | | | | |
|----------------------------------|-------------|------|------|------|------|------|------|------|------|------|------|------|------|------|------|------|
| | LLLL | LLLH | LLHL | LLHH | LHLL | LHLH | LHHL | LHHH | HLLL | HLLH | HLHL | HLHH | HHLL | HHLH | HHHL | HHHH |
| LLLL | | | | 0 | 1 | 2 | 3 | 4 | | | | 一 | 夕 | 三 | ⊗ | ⊙ |
| LLLH | | | ! | 1 | A | Q | a | 4 | | | 。 | ア | チ | △ | ⊗ | ⊙ |
| LLHL | | | " | 2 | B | R | b | r | | | 〒 | イ | ウ | × | ⊙ | ⊙ |
| LLHH | | | # | 3 | C | S | c | s | | | ┘ | ウ | テ | モ | ⊗ | ⊙ |
| LHLL | | | \$ | 4 | D | T | d | t | | | 、 | エ | ト | ⊙ | ⊙ | ⊙ |
| LHLH | | | % | 5 | E | U | e | u | | | ・ | オ | 大 | 工 | ⊗ | ⊙ |
| LHHL | | | & | 6 | F | V | f | v | | | ヲ | カ | ニ | ヨ | ⊙ | ⊙ |
| LHHH | | | ' | 7 | G | W | g | w | | | ア | キ | 又 | ラ | ⊙ | ⊙ |
| HLLL | | | (| 8 | H | X | h | x | | | イ | ウ | ホ | リ | ┘ | 又 |
| HLLH | | |) | 9 | I | Y | i | y | | | ウ | ケ | ル | ┘ | ┘ | ┘ |
| HLHL | | | * | : | J | Z | j | z | | | エ | コ | 向 | レ | j | 千 |
| HLHH | | | + | ; | K | L | k | l | | | ホ | ウ | ロ | 〇 | 〇 | 有 |
| HHLL | | | , | < | L | 羊 | 1 | 1 | | | カ | シ | フ | フ | ⊙ | 有 |
| HHLH | | | — | = | M | I | m | i | | | ユ | 又 | 〇 | 〇 | 〇 | 〇 |
| HHHL | | | . | > | N | ^ | n | ^ | | | ヨ | セ | 市 | 〇 | 〇 | 〇 |
| HHHH | | | / | ? | O | _ | o | _ | | | ウ | ウ | マ | 〇 | 〇 | 〇 |

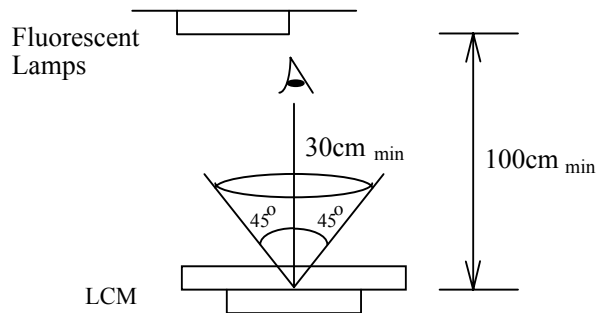


13.QUALITY SPECIFICATIONS

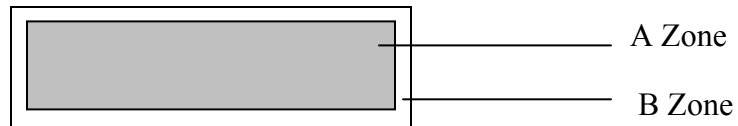
13.1 Standard of the product appearance test

Manner of appearance test: The inspection should be performed in using 20W x 2 fluorescent lamps. Distance between LCM and fluorescent lamps should be 100 cm or more. Distance between LCM and inspector eyes should be 30 cm or more.

Viewing direction for inspection is 45° from vertical against LCM.



Definition of zone:



A Zone: Active display area (minimum viewing area).

B Zone: Non-active display area (outside viewing area).

13.2 Specification of quality assurance

AQL inspection standard

Sampling method: MIL-STD-105E, Level II, single sampling

Defect classification (**Note: * is not including**)

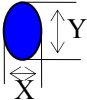
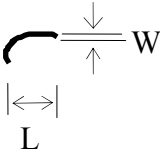


深圳市秋田视佳实业有限公司
SHENZHEN AV-DISPLAY CO.,LTD.

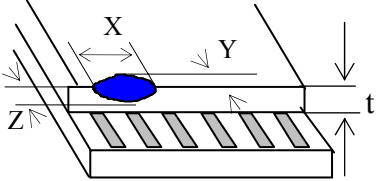
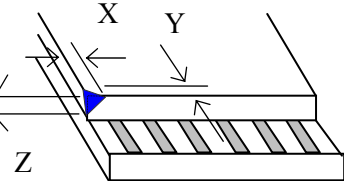
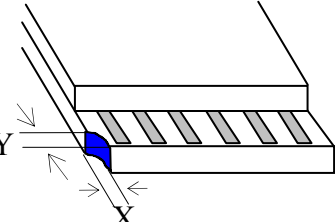
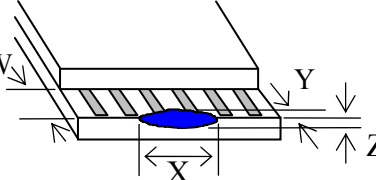
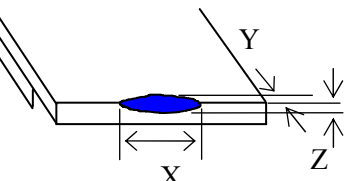
| Classify | Item | | Note | AQL |
|----------------------------|---------------|------------------------------|------|------|
| Major | Display state | Short or open circuit | 1 | 0.65 |
| | | LC leakage | | |
| | | Flickering | | |
| | | No display | | |
| | | Wrong viewing direction | | |
| | | Contrast defect (dim, ghost) | 2 | |
| | Back-light | 1,8 | | |
| | Non-display | Flat cable or pin reverse | 10 | |
| Wrong or missing component | | 11 | | |
| Minor | Display state | Background color deviation | 2 | 1.0 |
| | | Black spot and dust | 3 | |
| | | Line defect, Scratch | 4 | |
| | | Rainbow | 5 | |
| | | Chip | 6 | |
| | | Pin hole | 7 | |
| | Polarizer | Protruded | 12 | |
| | | Bubble and foreign material | 3 | |
| | Soldering | Poor connection | 9 | |
| | Wire | Poor connection | 10 | |
| | TAB | Position, Bonding strength | 13 | |



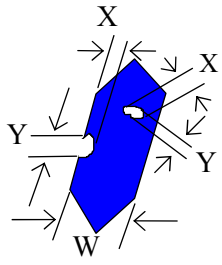
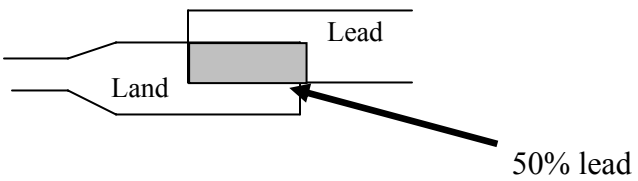
Note on defect classification

| No. | Item | Criterion | | | | | | | | | | | | | | | | | | | |
|-------------------------|--|---|-----------------|-----------------|------------------|-----------|-------------------------|-----|-------------------------|-----------|-------------------------|---------------|---------------|--------------|---------------|--------------|-----------|---|-----|------------|-------------------------|
| 1 | Short or open circuit | Not allow | | | | | | | | | | | | | | | | | | | |
| | LC leakage | | | | | | | | | | | | | | | | | | | | |
| | Flickering | | | | | | | | | | | | | | | | | | | | |
| | No display | | | | | | | | | | | | | | | | | | | | |
| | Wrong viewing direction | | | | | | | | | | | | | | | | | | | | |
| | Wrong Back-light | | | | | | | | | | | | | | | | | | | | |
| 2 | Contrast defect | Refer to approval sample | | | | | | | | | | | | | | | | | | | |
| | Background color deviation | | | | | | | | | | | | | | | | | | | | |
| 3 | Point defect, Black spot, dust (including Polarizer) |  <table border="1" data-bbox="932 921 1365 1220"> <thead> <tr> <th>Point Size</th> <th>Acceptable Qty.</th> </tr> </thead> <tbody> <tr> <td>$\phi \leq 0.10$</td> <td>Disregard</td> </tr> <tr> <td>$0.10 < \phi \leq 0.20$</td> <td>3</td> </tr> <tr> <td>$0.20 < \phi \leq 0.25$</td> <td>2</td> </tr> <tr> <td>$0.25 < \phi \leq 0.30$</td> <td>1</td> </tr> <tr> <td>$\phi > 0.30$</td> <td>0</td> </tr> </tbody> </table> <p style="text-align: center;">Unit: mm</p> | Point Size | Acceptable Qty. | $\phi \leq 0.10$ | Disregard | $0.10 < \phi \leq 0.20$ | 3 | $0.20 < \phi \leq 0.25$ | 2 | $0.25 < \phi \leq 0.30$ | 1 | $\phi > 0.30$ | 0 | | | | | | | |
| | Point Size | | Acceptable Qty. | | | | | | | | | | | | | | | | | | |
| $\phi \leq 0.10$ | Disregard | | | | | | | | | | | | | | | | | | | | |
| $0.10 < \phi \leq 0.20$ | 3 | | | | | | | | | | | | | | | | | | | | |
| $0.20 < \phi \leq 0.25$ | 2 | | | | | | | | | | | | | | | | | | | | |
| $0.25 < \phi \leq 0.30$ | 1 | | | | | | | | | | | | | | | | | | | | |
| $\phi > 0.30$ | 0 | | | | | | | | | | | | | | | | | | | | |
| | $\phi = (X+Y)/2$ | | | | | | | | | | | | | | | | | | | | |
| 4 | Line defect, Scratch |  <table border="1" data-bbox="862 1392 1406 1650"> <thead> <tr> <th colspan="2">Line</th> <th rowspan="2">Acceptable Qty.</th> </tr> <tr> <th>L</th> <th>W</th> </tr> </thead> <tbody> <tr> <td>---</td> <td>$0.015 \geq W$</td> <td>Disregard</td> </tr> <tr> <td>$5.0 \geq L$</td> <td>$0.03 \geq W$</td> <td rowspan="2">2</td> </tr> <tr> <td>$5.0 \geq L$</td> <td>$0.05 \geq W$</td> </tr> <tr> <td>$5.0 \geq L$</td> <td>$0.1 > W$</td> <td>1</td> </tr> <tr> <td>---</td> <td>$0.05 < W$</td> <td>Applied as point defect</td> </tr> </tbody> </table> <p style="text-align: center;">Unit: mm</p> | Line | | Acceptable Qty. | L | W | --- | $0.015 \geq W$ | Disregard | $5.0 \geq L$ | $0.03 \geq W$ | 2 | $5.0 \geq L$ | $0.05 \geq W$ | $5.0 \geq L$ | $0.1 > W$ | 1 | --- | $0.05 < W$ | Applied as point defect |
| | Line | | Acceptable Qty. | | | | | | | | | | | | | | | | | | |
| L | W | | | | | | | | | | | | | | | | | | | | |
| --- | $0.015 \geq W$ | Disregard | | | | | | | | | | | | | | | | | | | |
| $5.0 \geq L$ | $0.03 \geq W$ | 2 | | | | | | | | | | | | | | | | | | | |
| $5.0 \geq L$ | $0.05 \geq W$ | | | | | | | | | | | | | | | | | | | | |
| $5.0 \geq L$ | $0.1 > W$ | 1 | | | | | | | | | | | | | | | | | | | |
| --- | $0.05 < W$ | Applied as point defect | | | | | | | | | | | | | | | | | | | |
| | | | | | | | | | | | | | | | | | | | | | |
| 5 | Rainbow | Not more than two color changes across the viewing area. | | | | | | | | | | | | | | | | | | | |

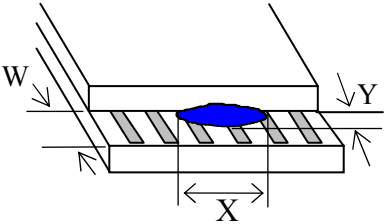
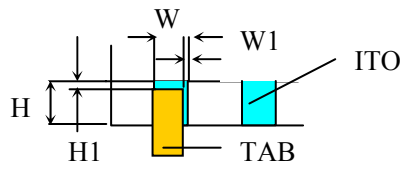
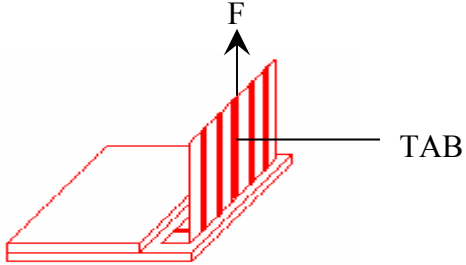


| No | Item | Criterion | | | | | | | | | | | | | | | | | | | | | | | | | | | | | | | | | |
|------------------------|--|--|---|---|---|----------|-------|------------|---|---|---|----------|-------|----------|---|---|---|----------|----------|----------|------------------------|--|--|---|---|---|-----------|------------|----------|---|---|---|----------|----------|------------|
| 6 | <p>Chip</p> <p>Remark: X: Length direction Y: Short direction Z: Thickness direction t: Glass thickness W: Terminal Width</p> |  <p>Acceptable criterion</p> <table border="1" data-bbox="998 367 1388 451"> <thead> <tr> <th>X</th> <th>Y</th> <th>Z</th> </tr> </thead> <tbody> <tr> <td>≤ 2</td> <td>0.5mm</td> <td>$\leq t/2$</td> </tr> </tbody> </table>  <p>Acceptable criterion</p> <table border="1" data-bbox="990 682 1388 766"> <thead> <tr> <th>X</th> <th>Y</th> <th>Z</th> </tr> </thead> <tbody> <tr> <td>≤ 3</td> <td>0.5mm</td> <td>$\leq t$</td> </tr> </tbody> </table>  <p>Acceptable criterion</p> <table border="1" data-bbox="1006 976 1388 1092"> <thead> <tr> <th>X</th> <th>Y</th> <th>Z</th> </tr> </thead> <tbody> <tr> <td>≤ 3</td> <td>≤ 2</td> <td>$\leq t$</td> </tr> <tr> <td colspan="2">shall not reach to ITO</td> <td></td> </tr> </tbody> </table>  <p>Acceptable criterion</p> <table border="1" data-bbox="990 1354 1388 1438"> <thead> <tr> <th>X</th> <th>Y</th> <th>Z</th> </tr> </thead> <tbody> <tr> <td>Disregard</td> <td>≤ 0.2</td> <td>$\leq t$</td> </tr> </tbody> </table>  <p>Acceptable criterion</p> <table border="1" data-bbox="990 1638 1356 1711"> <thead> <tr> <th>X</th> <th>Y</th> <th>Z</th> </tr> </thead> <tbody> <tr> <td>≤ 5</td> <td>≤ 2</td> <td>$\leq t/3$</td> </tr> </tbody> </table> | X | Y | Z | ≤ 2 | 0.5mm | $\leq t/2$ | X | Y | Z | ≤ 3 | 0.5mm | $\leq t$ | X | Y | Z | ≤ 3 | ≤ 2 | $\leq t$ | shall not reach to ITO | | | X | Y | Z | Disregard | ≤ 0.2 | $\leq t$ | X | Y | Z | ≤ 5 | ≤ 2 | $\leq t/3$ |
| X | Y | Z | | | | | | | | | | | | | | | | | | | | | | | | | | | | | | | | | |
| ≤ 2 | 0.5mm | $\leq t/2$ | | | | | | | | | | | | | | | | | | | | | | | | | | | | | | | | | |
| X | Y | Z | | | | | | | | | | | | | | | | | | | | | | | | | | | | | | | | | |
| ≤ 3 | 0.5mm | $\leq t$ | | | | | | | | | | | | | | | | | | | | | | | | | | | | | | | | | |
| X | Y | Z | | | | | | | | | | | | | | | | | | | | | | | | | | | | | | | | | |
| ≤ 3 | ≤ 2 | $\leq t$ | | | | | | | | | | | | | | | | | | | | | | | | | | | | | | | | | |
| shall not reach to ITO | | | | | | | | | | | | | | | | | | | | | | | | | | | | | | | | | | | |
| X | Y | Z | | | | | | | | | | | | | | | | | | | | | | | | | | | | | | | | | |
| Disregard | ≤ 0.2 | $\leq t$ | | | | | | | | | | | | | | | | | | | | | | | | | | | | | | | | | |
| X | Y | Z | | | | | | | | | | | | | | | | | | | | | | | | | | | | | | | | | |
| ≤ 5 | ≤ 2 | $\leq t/3$ | | | | | | | | | | | | | | | | | | | | | | | | | | | | | | | | | |



| No. | Item | Criterion | | | | | | | | |
|-------------------------|--|--|------------|----------------|------------------|-----------|-------------------------|---|---------------|---|
| 7 | Segment pattern W = Segment width $\phi = (X+Y)/2$ | <p>(1) Pin hole $\phi < 0.10\text{mm}$ is acceptable.</p>  <table border="1" data-bbox="925 504 1380 682"> <thead> <tr> <th>Point Size</th> <th>Acceptable Qty</th> </tr> </thead> <tbody> <tr> <td>$\phi \leq 1/4W$</td> <td>Disregard</td> </tr> <tr> <td>$1/4W < \phi \leq 1/2W$</td> <td>1</td> </tr> <tr> <td>$\phi > 1/2W$</td> <td>0</td> </tr> </tbody> </table> <p>Unit: mm</p> | Point Size | Acceptable Qty | $\phi \leq 1/4W$ | Disregard | $1/4W < \phi \leq 1/2W$ | 1 | $\phi > 1/2W$ | 0 |
| Point Size | Acceptable Qty | | | | | | | | | |
| $\phi \leq 1/4W$ | Disregard | | | | | | | | | |
| $1/4W < \phi \leq 1/2W$ | 1 | | | | | | | | | |
| $\phi > 1/2W$ | 0 | | | | | | | | | |
| 8 | Back-light | <p>(1) The color of backlight should correspond its specification. (2) Not allow flickering</p> | | | | | | | | |
| 9 | Soldering | <p>(1) Not allow heavy dirty and solder ball on PCB. (The size of dirty refer to point and dust defect) (2) Over 50% of lead should be soldered on Land.</p>  | | | | | | | | |
| 10 | Wire | <p>(1) Copper wire should not be rusted (2) Not allow crack on copper wire connection. (3) Not allow reversing the position of the flat cable. (4) Not allow exposed copper wire inside the flat cable.</p> | | | | | | | | |
| 11* | PCB | <p>(1) Not allow screw rust or damage. (2) Not allow missing or wrong putting of component.</p> | | | | | | | | |



| No | Item | Criterion |
|----|--------------------------------|---|
| 12 | Protruded W: Terminal Width |  <p>Acceptable criteria: $Y \leq 0.4$</p> |
| 13 | TAB | <p>1. Position</p>  <div style="border: 1px solid black; padding: 5px; width: fit-content; margin-left: auto; margin-right: auto;"> $W1 \leq 1/3W$ $H1 \leq 1/3H$ </div> <p>2. TAB bonding strength test</p>  <p>$P (=F/TAB \text{ bonding width}) \geq 650gf/cm$,(speed rate: 1mm/min) 5pcs per SOA (shipment)</p> |
| 14 | Total no. of acceptable Defect | <p>A. Zone</p> <p>Maximum 2 minor non-conformities per one unit. Defect distance: each point to be separated over 10mm</p> <p>B. Zone</p> <p>It is acceptable when it is no trouble for quality and assembly in customer's end product.</p> |



13.3 Reliability of LCM

Reliability test condition:

| Item | Condition | Time (hrs) | Assessment |
|----------------------|---|------------|--|
| High temp. Storage | 80°C | 48 | No abnormalities in functions and appearance |
| High temp. Operating | 70°C | 48 | |
| Low temp. Storage | -30°C | 48 | |
| Low temp. Operating | -25°C | 48 | |
| Humidity | 40°C/ 90%RH | 48 | |
| Temp. Cycle | 0°C ← 25°C → 50°C (30 min ← 5 min → 30min) | 10cycles | |

Recovery time should be 24 hours minimum. Moreover, functions, performance and appearance ,etc. shall be free from remarkable deterioration within 50,000 hours under ordinary operating and storage conditions room temperature ($20 \pm 8^\circ\text{C}$), normal humidity (below $45 \pm 20\%$ RH), and in the area not exposed to direct sun light.

13.4 Precaution for using LCD/LCM

LCD/LCM is assembled and adjusted with a high degree of precision. Do not attempt to make any alteration or modification. The followings should be noted.

General Precautions:

1. LCD panel is made of glass. Avoid excessive mechanical shock or applying strong pressure onto the surface of display area.
2. The polarizer used on the display surface is easily scratched and damaged. Extreme care should be taken when handling. To clean dust or dirt off the display surface, wipe gently with cotton, or other soft material soaked with isopropyl alcohol, ethyl alcohol or trichlorotrifluoroethane, do not use water, ketone or aromatics and never scrub hard.
3. Do not tamper in any way with the tabs on the metal frame.
4. Do not make any modification on the PCB without consulting AV.
5. When mounting a LCM, make sure that the PCB is not under any stress such as bending or twisting. Elastomer contacts are very delicate and missing pixels could result from slight dislocation of any of the elements.



深圳市秋田视佳实业有限公司
SHENZHEN AV-DISPLAY CO.,LTD.

6. Avoid pressing on the metal bezel, otherwise the elastomer connector could be deformed and lose contact, resulting in missing pixels and also cause rainbow on the display.
7. Be careful not to touch or swallow liquid crystal that might leak from a damaged cell. Any liquid crystal adheres to skin or clothes, wash it off immediately with soap and water.

Static Electricity Precautions:

1. CMOS-LSI is used for the module circuit; therefore operators should be grounded whenever he/she comes into contact with the module.
2. Do not touch any of the conductive parts such as the LSI pads; the copper leads on the PCB and the interface terminals with any parts of the human body.
3. Do not touch the connection terminals of the display with bare hand; it will cause disconnection or defective insulation of terminals.
4. The modules should be kept in anti-static bags or other containers resistant to static for storage.
5. Only properly grounded soldering irons should be used.
6. If an electric screwdriver is used, it should be grounded and shielded to prevent sparks.
7. The normal static prevention measures should be observed for work clothes and working benches.
8. Since dry air is inductive to static, a relative humidity of 50-60% is recommended.

Soldering Precautions:

1. Soldering should be performed only on the I/O terminals.
2. Use soldering irons with proper grounding and no leakage.
3. Soldering temperature: $280^{\circ}\text{C}\pm 10^{\circ}\text{C}$
4. Soldering time: 3 to 4 second.
5. Use eutectic solder with resin flux filling.
6. If flux is used, the LCD surface should be protected to avoid spattering flux.
7. Flux residue should be removed.

Operation Precautions:

1. The viewing angle can be adjusted by varying the LCD driving voltage V_o .
2. Since applied DC voltage causes electro-chemical reactions, which deteriorate the display, the applied pulse waveform should be a symmetric waveform such that no DC component remains. Be sure to use the specified operating voltage.
3. Driving voltage should be kept within specified range; excess voltage will shorten display life.
4. Response time increases with decrease in temperature.
5. Display color may be affected at temperatures above its operational range.
6. Keep the temperature within the specified range usage and storage. Excessive temperature and humidity could cause polarization degradation, polarizer peel-off or generate bubbles.
7. For long-term storage over 40°C is required, the relative humidity should be kept below 60%, and avoid direct sunlight.



Limited Warranty

AV LCDs and modules are not consumer products, but may be incorporated by AV's customers into consumer products or components thereof, AV does not warrant that its LCDs and components are fit for any such particular purpose.

1. The liability of AV is limited to repair or replacement on the terms set forth below. AV will not be responsible for any subsequent or consequential events or injury or damage to any personnel or user including third party personnel and/or user. Unless otherwise agreed in writing between AV and the customer, AV will only replace or repair any of its LCD which is found defective electrically or visually when inspected in accordance with AV general LCD inspection standard . (Copies available on request)
2. No warranty can be granted if any of the precautions state in handling liquid crystal display above has been disregarded. Broken glass, scratches on polarizer mechanical damages as well as defects that are caused accelerated environment tests are excluded from warranty.
3. In returning the LCD/LCM, they must be properly packaged; there should be detailed description of the failures or defect.