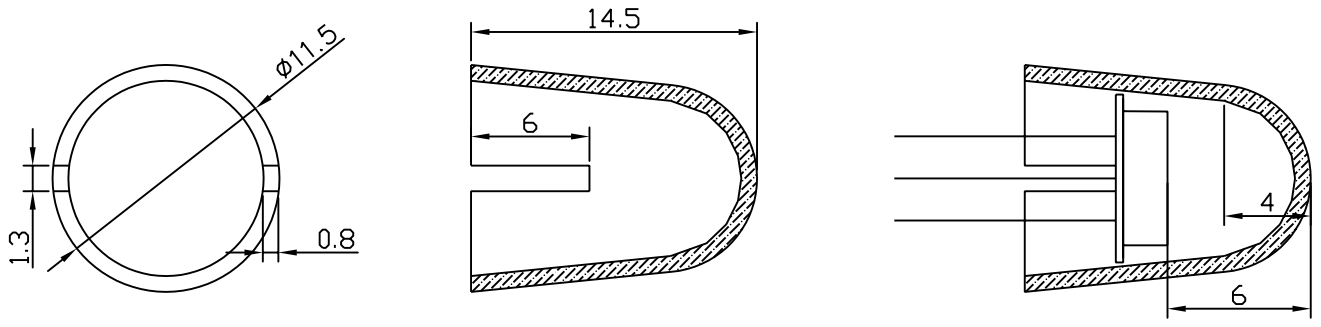


FRESNEL LENS--8308-1

DIMENSION: (Unit=m/m)



DETECTING AREA: (Unit = meter)

