


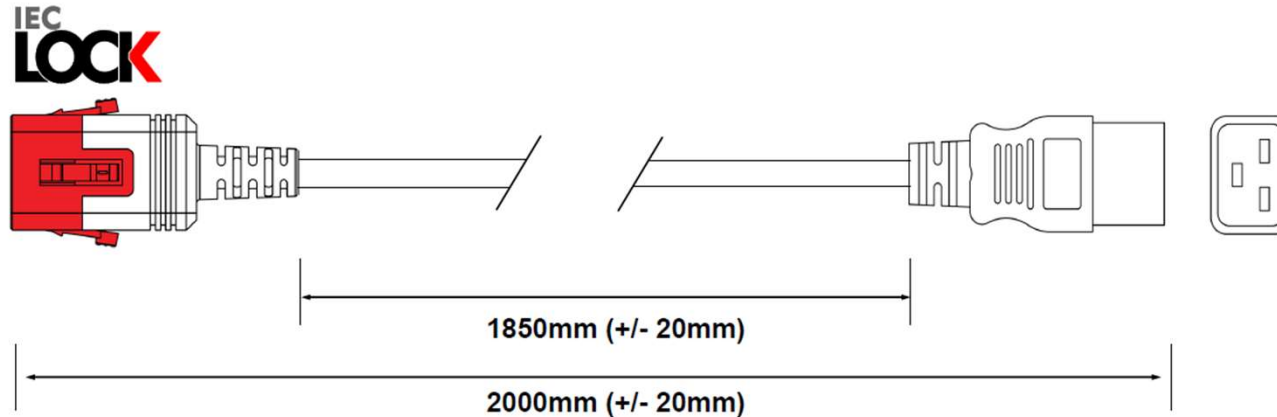


INL19-C20-DUAL-LOCK-H05-3150-200-R

(Standard C19 (IS-16) to dual lock C20 (SG03MC) H05VV-F 3x1.5mm² : 2 meters fully red)

SAP No. 823942

STOCK CODE D6A <h1 style="text-align: center;">PC3195</h1> Barcode TBC	CABLE REQUIREMENTS: Colour: RED (RAL3020) Type: 3 Core 1.50mm ² H05VV-F (CB Approved) Conductor Colour Codes: Earth (Green & Yellow)  Neutral (Blue)  Live (Brown) 	PLUG / END A REQUIREMENTS: Type: SG03MC Colour: RED (RAL3020) Rating: 16A Reference: C20 Dual Locking Connector (CB Approved)	CONNECTOR / END B REQUIREMENTS: Type: IS-16 Colour: RED (RAL3020) Rating: 16A Reference: C19 IEC Connector (CB Approved)
	Complete Powerlead Rated: 16A/250V		



EXTRA REQUIREMENTS: PACKAGING OUTERTBC PIN PROTECTING COVERNO WIRING INSTRUCTIONSNO PRE-SHIPMENT INSPECTION.....NO COMMENTS:	CHANGE MANAGEMENT: <table border="1"> <thead> <tr> <th>Rev</th> <th>Modification</th> <th>Date</th> <th>Name</th> </tr> </thead> <tbody> <tr><td>A</td><td></td><td></td><td></td></tr> <tr><td>B</td><td></td><td></td><td></td></tr> <tr><td>C</td><td></td><td></td><td></td></tr> <tr><td>D</td><td></td><td></td><td></td></tr> <tr><td>E</td><td></td><td></td><td></td></tr> </tbody> </table>	Rev	Modification	Date	Name	A				B				C				D				E				HANKING <h2 style="text-align: center;">Fig.8</h2> <h3 style="text-align: center;">(200mm)</h3>	TERMINATIONS / FURTHER COMMENTS:
Rev	Modification	Date	Name																								
A																											
B																											
C																											
D																											
E																											

Errors & Omissions excluded. Specification may be subject to change without notice.

Rev 5.0