

1

2

3

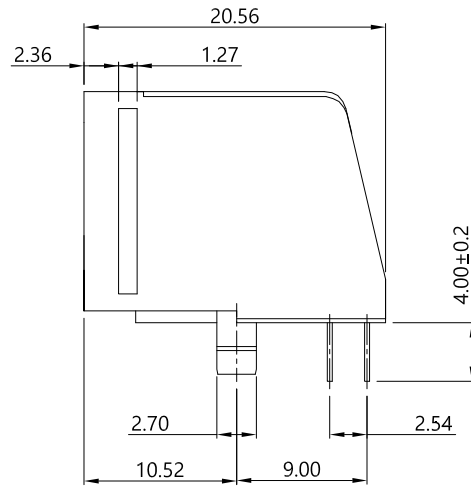
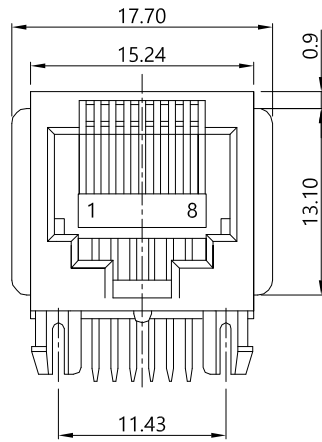
4

MARK

DESCRIPTION

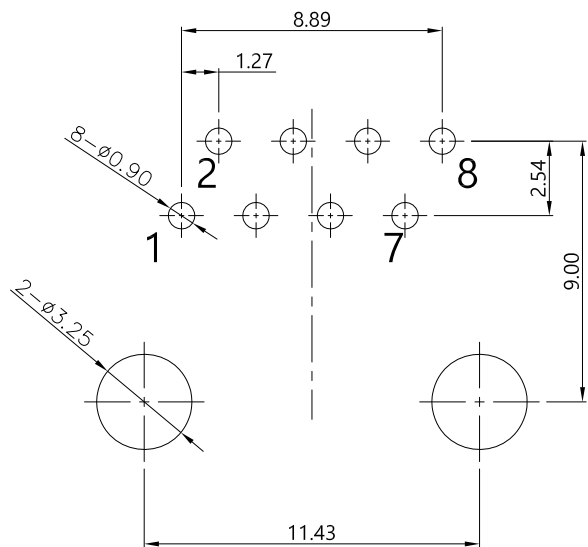
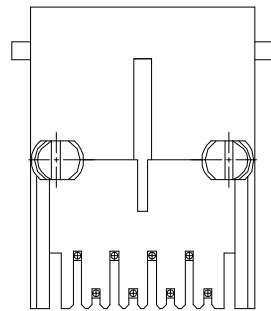
A

A



B

B



C

C

Electrical

- 1. Voltage Rating : 125 VAC Rms
- 2. Current Rating: 1.5 AMP
- 3. Contact Resistance: 30 Milliohms MaX
- 4. Insulation Resistance: 500 megohms min @500V DC
- 5. Dielectric Withstanding: Resistance: 1000V AC Rms 60Hz. 1Min
- 6. Durability: 750 Cycles Min
- 7. Operation Temperature: -40°C ~ +85°C

PCB LAYOUT

2		CONTACT PLATE	PHOSPHOR BRONZE	T=0.35	Gold Plating Over Nickel	
1		HOUSING	PBT	COLOR : BLACK		UL 94V-0
NO	部番 PART NO.	名稱 TITLE	材料 MATERIAL	規格 SPECIFICATION	處理 TREATMENT	備考 REMARK
			三角法 THIRD ANGLE PROJECTION	單位 UNIT mm INCH	尺度 SCALE 1 / 1	提出先 USER
			承認 APPROVAL	檢圖 CHECK	設計 DESIGN	圖名 TITLE
						圖番 Drawing No.
MARK	DATE	APPR	CHECK	DESIGN		

D

D

MODULAR JACK

657PCB8-S(E)

1

2

3

4