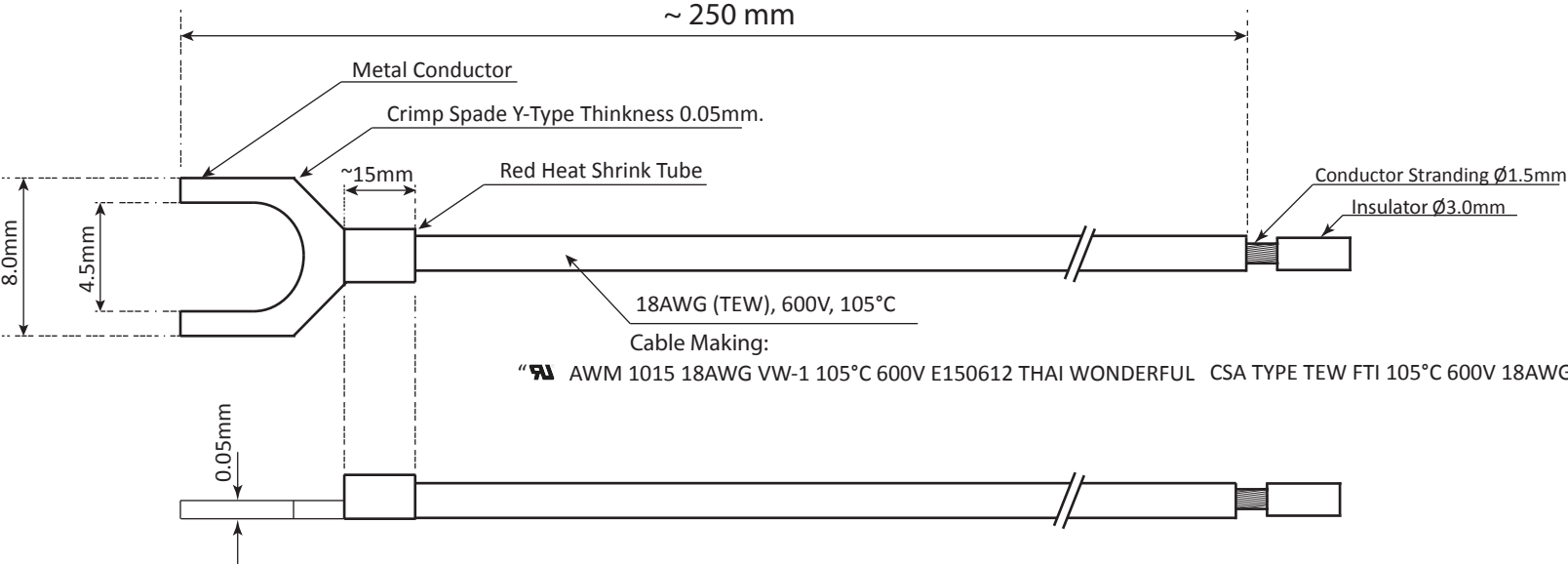


18AWG 250mm Hookup Wire with 8mm Crimp Spade Terminal (Y-Type)



MFR:	JWT
MFR Part Number:	CABLE-4EC504AINV001
ES Part Number:	0966-0031-6
Revision:	Draft
	Date Create: MAY 16, 2018