



SPECIFICATIONS SHEET

PRODUCT TYPE : PIEZO BUZZER

PRODUCT SERIES : DB-E328

DESCRIPTION : PZ BUZZER SINGLE 12VDC PIN NORYL

SS"32S4120LF " & "+" & DATE CODE "

RoHs COMPLIANT

COLOR : BLACK

ELECTRICAL SPECIFICATIONS

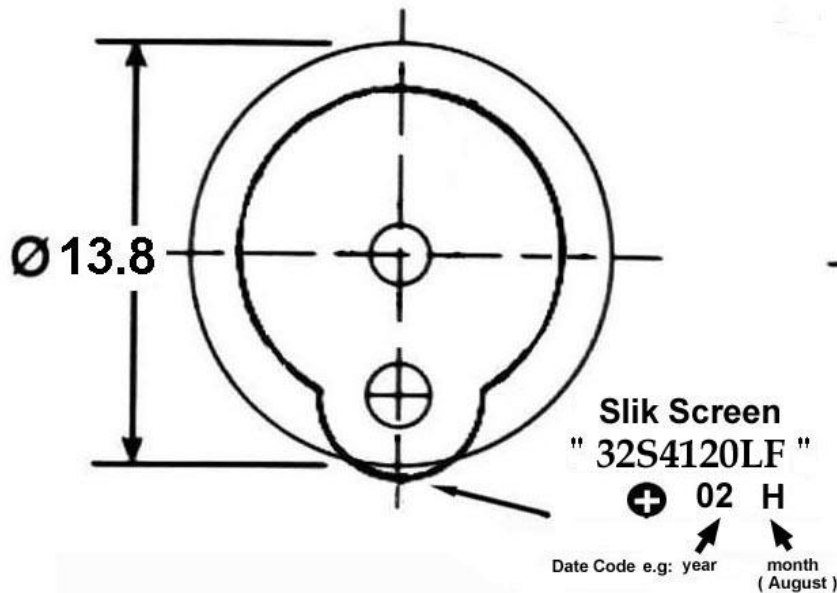
MODEL NO.		32S4120LFPN
OPERATING VOLTAGE RANGE (VDC)		3 ~ 16
RATED VOLTAGE (VDC)		12
* MAX. RATED CURRENT (mA)		7
* MIN. SOUND OUTPUT (dBA/ 10 cm)		80
* FREQUENCY (Hz)		4000 ± 500
TONE NATURE		SINGLE
OPERATING TEMPERATURE (°C)		- 20 ~ +60
TERMINAL		PIN
HOUSING MATERIAL		NORYL
WEIGHT (g)		1

* Value applying at rated voltage

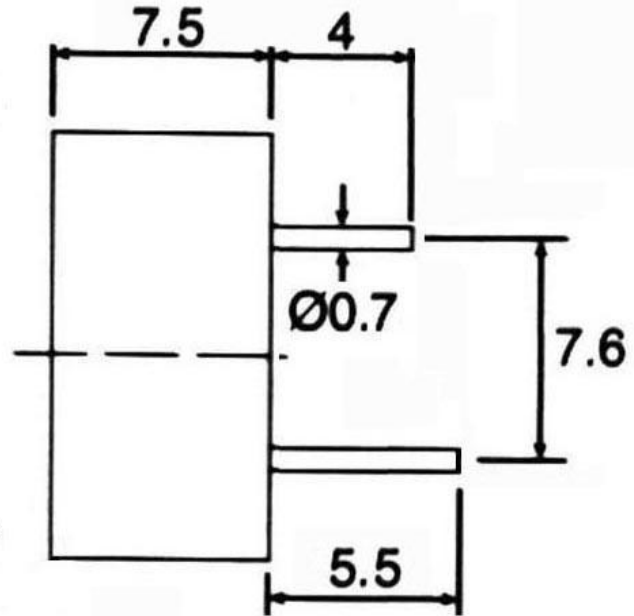
DIMENSIONS

UNIT : mm

TOP VIEW



SIDE VIEW



Approved By : 
Date : 31-Jul-2012

Prepared By : 
Date : 31-Jul-2012

Modify :	Date :	By :