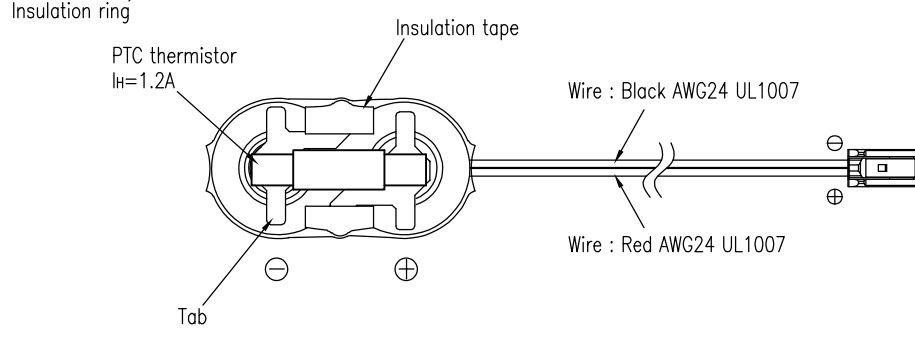
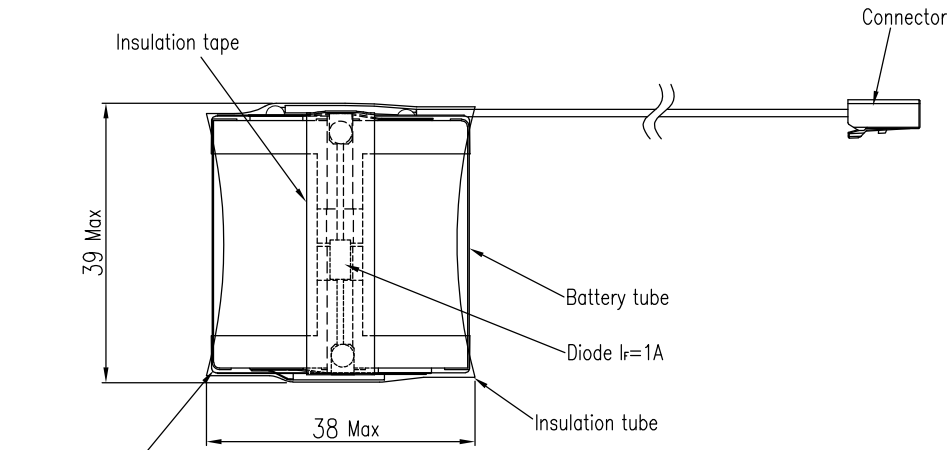
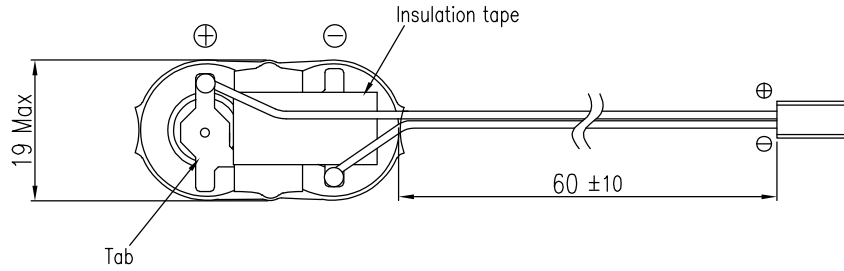


Date
May 7, 2025

Drawing No
W20250507-1

Shape and Dimension

TENTATIVE



(Note1)
This dimensional drawing indicates the dimensions at the time of factory shipment.
Insulation tube may be deformed over 50deg C.

In case that the operating temperature rises above 50deg C, please confirm that the deformation that may occur does not have an influence on quality of an instrument body in advance.

(Note2)
On the connector lead covering (depending on the covering material), there may be pinch mark(s) which has been left during manufacturing.
Rest assured that the connector's performance is not affected by the pinch mark(s).

Connector
Maker : Hirose Electric
Housing : DF62B-2S-2-2.2C
Contact : DF62-2428SCF
No.1 : (+)
No.2 : (-)

Diode
Maker : Onsemiconductor
Part number : 1N4935RLG

Unit : mm

Do not Scale Drawing

Tab thickness : Ni/Cu 0.1mm
Welding strength of tab : Min.9.8N
(Vertical direction from welding surface)

Product Name	2CR17335EG-CH* Suffix identification number will be applied after agreed and fixed.	F D K C O R P O R A T I O N Lithium Battery Division Technical Support Department
--------------	--	--