

RoHS COMPLIANT

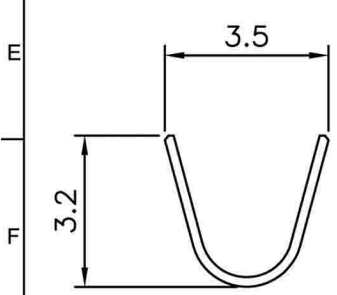
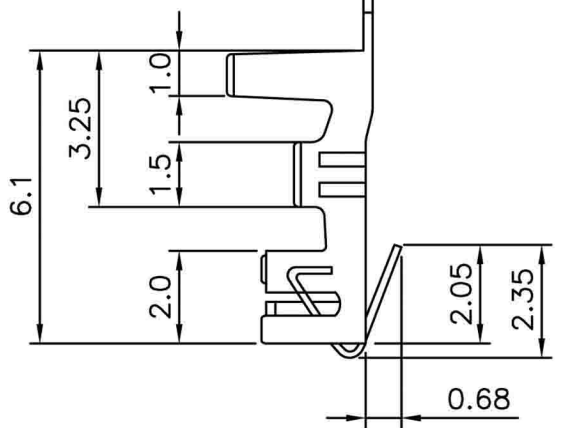
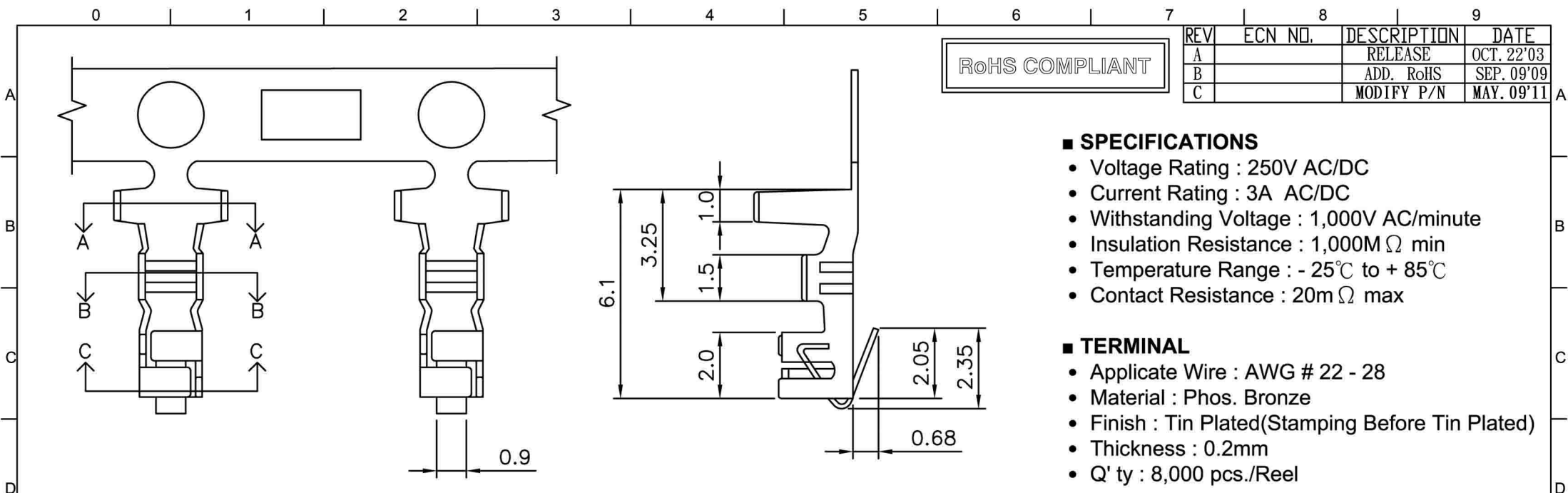
REV	ECN NO.	DESCRIPTION	DATE
A		RELEASE	OCT. 22'03
B		ADD. RoHS	SEP. 09'09
C		MODIFY P/N	MAY. 09'11

**SPECIFICATIONS**

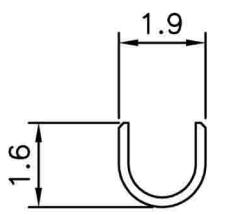
- Voltage Rating : 250V AC/DC
- Current Rating : 3A AC/DC
- Withstanding Voltage : 1,000V AC/minute
- Insulation Resistance : 1,000M  $\Omega$  min
- Temperature Range : - 25°C to + 85°C
- Contact Resistance : 20m  $\Omega$  max

**TERMINAL**

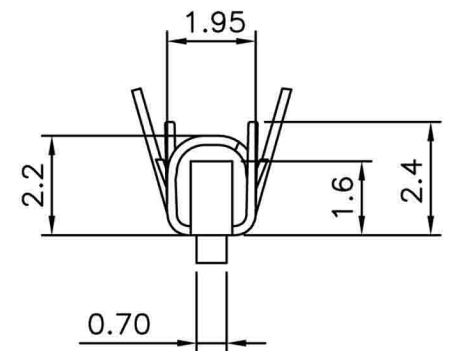
- Applicate Wire : AWG # 22 - 28
- Material : Phos. Bronze
- Finish : Tin Plated(Stamping Before Tin Plated)
- Thickness : 0.2mm
- Q' ty : 8,000 pcs./Reel



A-A SEC



B-B SEC



C-C SEC

TOLERANCE UNLESS OTHERWISE SPECIFIED		PROJECTION	GOLD-TEK ELECTRIC CO., LTD.	
LINEAR	ANGLE	UNITS	TITLE	PART NO.
X. ±	X° ±	MM	2.50mm Crimp Terminal	2001T
.X ± 0.30	.X° ±			
.XX ± 0.20	.XX° ±		CAD NO. 1056	SHEET
.XXX ± 0.10	.XXX° ±		F:\PDF\HW\HW-0037	1 OF 1
APPD		SCALE	CPART NO.	
CHKD		SIZE		
DRAW	Z	A4		
	MAY. 09'2011			

圖面編號:GTKSD1187-C(1)