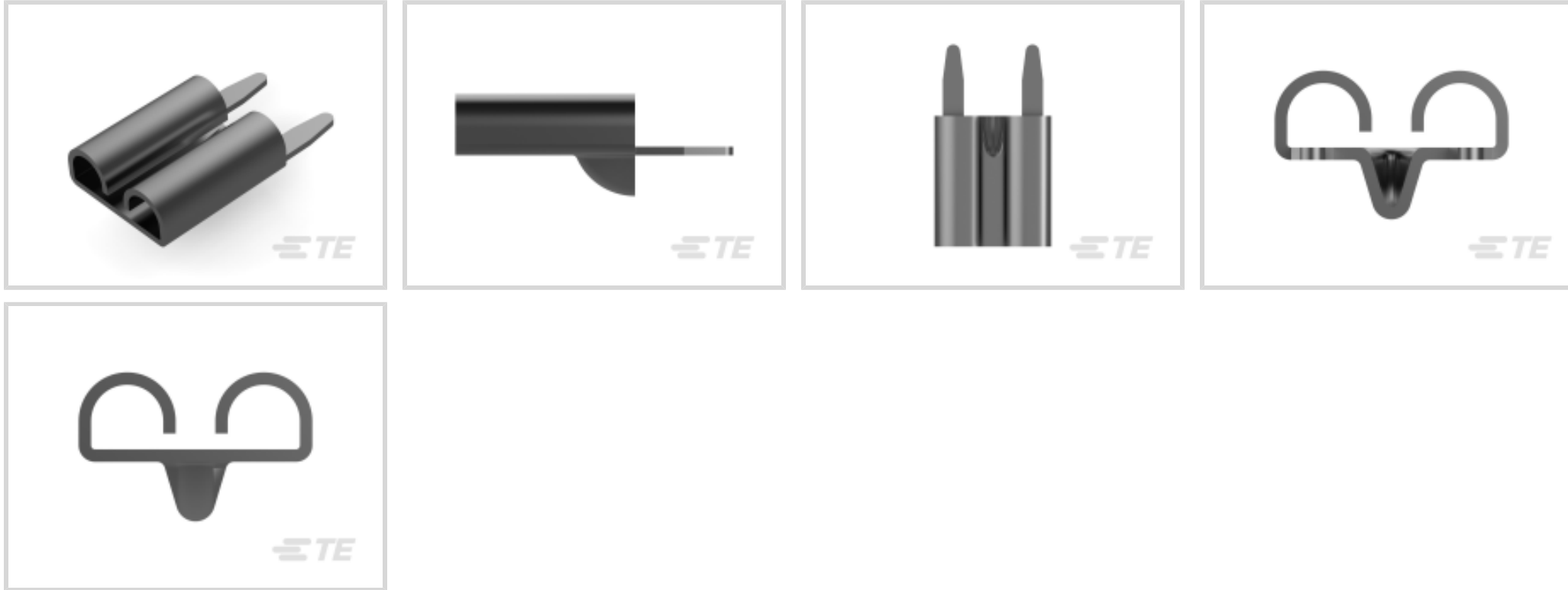




Terminals & Splices > PCB Terminals



PCB Terminal Type: **Receptacle**

PCB Thickness (Recommended): 1.57 mm [.062 in]

Mating Tab Width: 5.21 mm, 6.35 mm [.205 in, .25 in]

Mating Tab Thickness: .64 mm, .8 mm [.025 in, .031 in]

PCB Hole Diameter: 1.4 mm [.055 in]

Features

Product Type Features

| | |
|-----------------|-----|
| Insertion Force | Low |
|-----------------|-----|

Configuration Features

| | |
|---------------------|--------|
| Connection Capacity | Single |
| Stud Hole | No |
| Terminal Angle | 180 ° |

Body Features

| | |
|-------------------|------------------|
| Plating Thickness | 2.54 µm[100 µin] |
|-------------------|------------------|

Contact Features

| | |
|-------------------------------|-----------------------------------|
| Contact Plating Material | Tin |
| PCB Terminal Type | Receptacle |
| Mating Tab Width | 5.21 mm, 6.35 mm[.205 in][.25 in] |
| Mating Tab Thickness | .64 mm, .8 mm[.025 in][.031 in] |
| Terminal Plating Material | Tin |
| Contact Underplating Material | Nickel |



| | |
|---------------|-----------|
| Terminal Size | 5.2, 6.35 |
|---------------|-----------|

| | |
|----------------------|----------|
| Terminal Orientation | Straight |
|----------------------|----------|

Termination Features

| | |
|---|-----------------------|
| Termination Method to Printed Circuit Board | Through Hole - Solder |
|---|-----------------------|

| | |
|-----------------------|-----------------------|
| Product Terminates To | Printed Circuit Board |
|-----------------------|-----------------------|

Mechanical Attachment

| | |
|-------------------------|---------|
| Wire Insulation Support | Without |
|-------------------------|---------|

Dimensions

| | |
|-----------------------|-----------------|
| Extension Below Board | 4.57 mm[.18 in] |
|-----------------------|-----------------|

| | |
|-------------------------------------|-----------------|
| Receptacle Terminal Stock Thickness | .41 mm[.016 in] |
|-------------------------------------|-----------------|

| | |
|--|---------|
| | .095 in |
|--|---------|

| | |
|-----------------------------|------------------|
| PCB Thickness (Recommended) | 1.57 mm[.062 in] |
|-----------------------------|------------------|

| | |
|-------------------|-----------------|
| PCB Hole Diameter | 1.4 mm[.055 in] |
|-------------------|-----------------|

| | |
|-------------------------|------------------|
| Profile Height from PCB | 8.38 mm[.334 in] |
|-------------------------|------------------|

Usage Conditions

| | |
|-------------------|-------------|
| Insulation Option | Uninsulated |
|-------------------|-------------|

| | |
|-----------------------------|----------------------------|
| Operating Temperature Range | -40 – 105 °C[-40 – 221 °F] |
|-----------------------------|----------------------------|

Packaging Features

| | |
|--------------------|------|
| Packaging Quantity | 2800 |
|--------------------|------|

| | |
|------------------|------|
| Packaging Method | Reel |
|------------------|------|

Other

| | |
|---------|----------------------------|
| Comment | Longer legs than standard. |
|---------|----------------------------|

| | |
|------|--------|
| Line | Budget |
|------|--------|

Product Compliance

[For compliance documentation, visit the product page on TE.com>](#)

| | |
|------------------------------|-----------|
| EU RoHS Directive 2011/65/EU | Compliant |
|------------------------------|-----------|

| | |
|-----------------------------|-----------|
| EU ELV Directive 2000/53/EC | Compliant |
|-----------------------------|-----------|

| | |
|---|---|
| China RoHS 2 Directive MIIT Order No 32, 2016 | No Restricted Materials Above Threshold |
|---|---|

| | |
|--|--|
| EU REACH Regulation (EC) No. 1907/2006 | Current ECHA Candidate List: JAN 2022 (223) Candidate List Declared Against: JAN 2022 (223) |
|--|--|



Does not contain REACH SVHC

Halogen Content

Low Halogen - Br, Cl, F, I < 900 ppm per homogenous material. Also BFR/CFR/PVC Free

Solder Process Capability

Wave solder capable to 240°C

Product Compliance Disclaimer

This information is provided based on reasonable inquiry of our suppliers and represents our current actual knowledge based on the information they provided. This information is subject to change. The part numbers that TE has identified as EU RoHS compliant have a maximum concentration of 0.1% by weight in homogenous materials for lead, hexavalent chromium, mercury, PBB, PBDE, DBP, BBP, DEHP, DIBP, and 0.01% for cadmium, or qualify for an exemption to these limits as defined in the Annexes of Directive 2011/65/EU (RoHS2). Finished electrical and electronic equipment products will be CE marked as required by Directive 2011/65/EU. Components may not be CE marked. Additionally, the part numbers that TE has identified as EU ELV compliant have a maximum concentration of 0.1% by weight in homogenous materials for lead, hexavalent chromium, and mercury, and 0.01% for cadmium, or qualify for an exemption to these limits as defined in the Annexes of Directive 2000/53/EC (ELV). Regarding the REACH Regulation, the information TE provides on SVHC in articles for this part number is based on the latest European Chemicals Agency (ECHA) 'Guidance on requirements for substances in articles' posted at this URL: <https://echa.europa.eu/guidance-documents/guidance-on-reach>

Compatible Parts



TE Part # 1217080-1
FASTON 205/250 PCB MOUNTED TPBR



TE Part # 63968-1
FASTON 205/250 LIF PCB MOUNTED TPBR



TE Part # 63994-1
FASTON 205/250 PCB MOUNTED TPBR



TE Part # 62806-1
FASTON 250 PCB TAB TPBR



TE Part # 62751-1
FASTON 250 PCB TAB TPBR



TE Part # 63969-1
FASTON 205/250 PCB MOUNTED TPBR



TE Part # 1217107-1
250 FASTON,REC.,TPPB

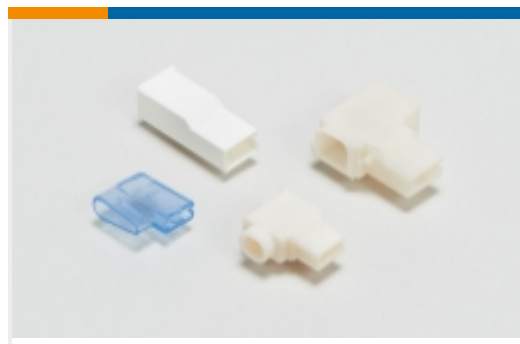


TE Part # 1217137-2
FASTON 205/250 PCB MOUNTED TPBR

Also in the Series | **FASTON 250**



Compression Connectors(4)



Crimp Terminal Housings(143)



Insertion & Extraction Tools(6)



Magnet Wire Terminals(1)



PCB Terminals(144)



Quick Disconnects(456)

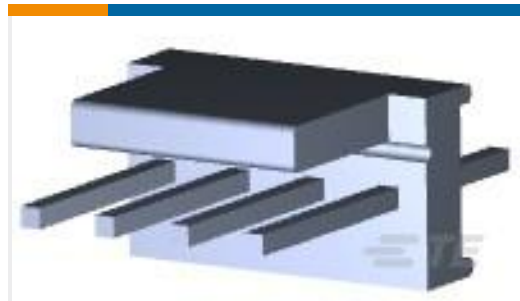


Splices(4)

Customers Also Bought



TE Part #499252-9
014 STRAIN RELIEF A-L RCPT



TE Part #640454-4
04P MTA100 HDR ASSY SQ STR POL



TE Part #4-1879378-2
TLR 2512 2.0W R006 1% 75PPM 2K RL



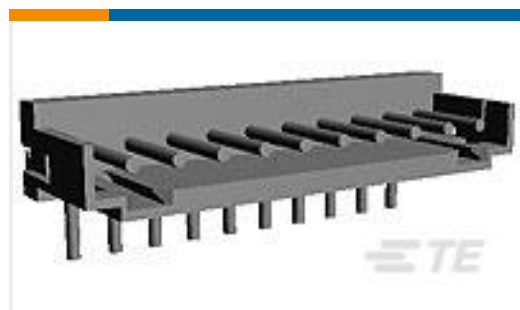
TE Part #3-1734248-0
1.0 FPC, ZIF V/T, SMT, 30P



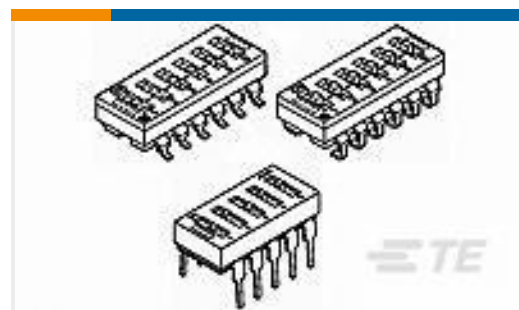
TE Part #556137-1
HSG,AMPINERGY WTW,1 POS, WHITE



TE Part #2-1734248-4
1.0 FPC, ZIF V/T, SMT, 24P



TE Part #292253-4
CT CONN MT HDR ASSY H 4P NAT



TE Part #1825360-3
ADE04A04=4POS DIP SWITCH

Documents

Product Drawings

[FASTON 250/205 REC PCB TPBR](#)

English

CAD Files

[3D PDF](#)

[3D](#)

[Customer View Model](#)

[ENG_CVM_CVM_1217137-1_F.2d_dxf.zip](#)



English

Customer View Model

[ENG_CVM_CVM_1217137-1_F.3d_igs.zip](#)

English

Customer View Model

[ENG_CVM_CVM_1217137-1_F.3d_stp.zip](#)

English

By downloading the CAD file I accept and agree to the [Terms and Conditions](#) of use.

Datasheets & Catalog Pages

[FASTON PCB Tabs and Receptacles](#)

English

[PRINTED CIRCUIT BOARD TERMINALS AND DISCONNECTS](#)

English

Product Specifications

[Application Specification](#)

English

Product Environmental Compliance

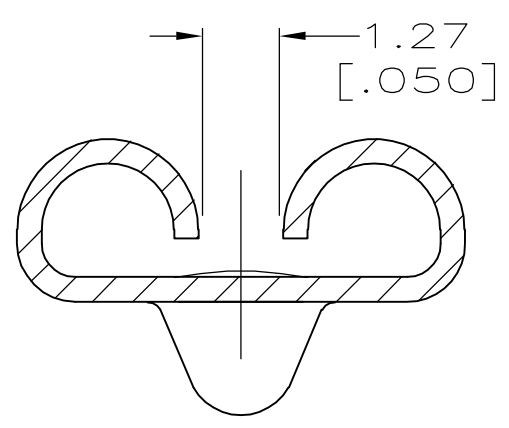
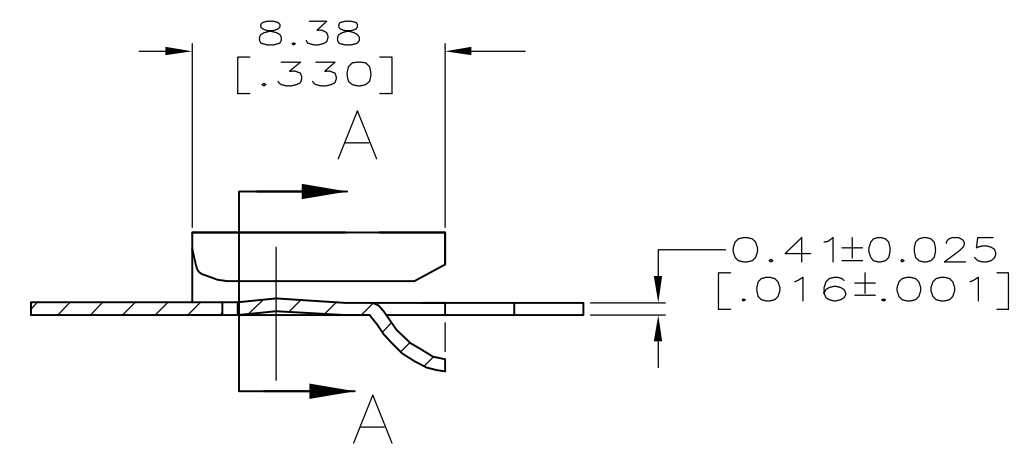
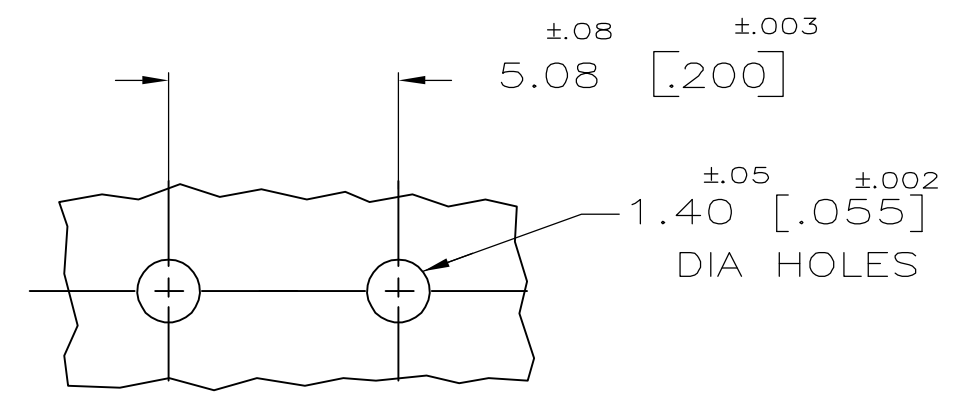
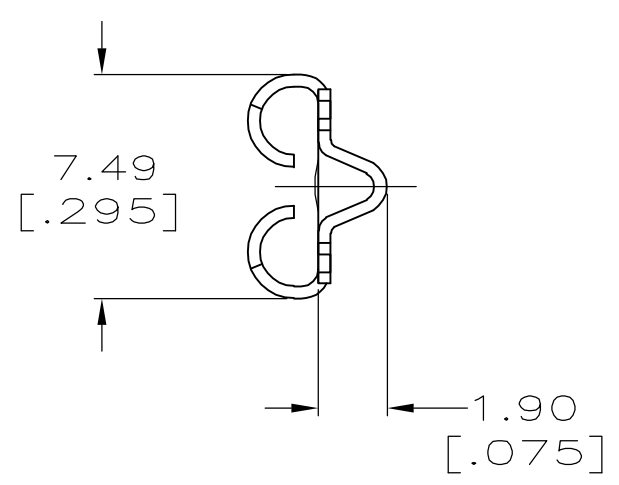
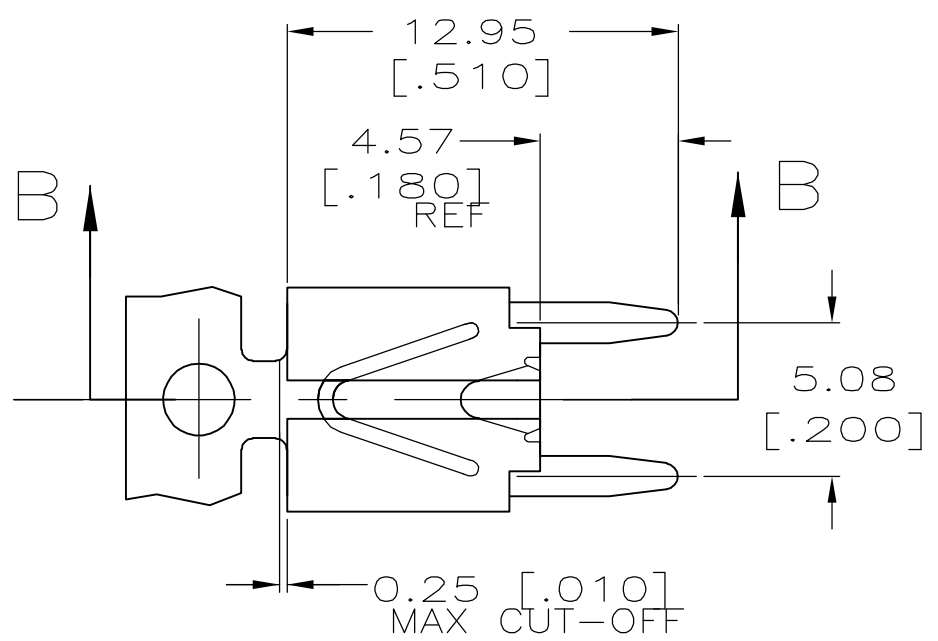
[TE Material Declaration](#)

English

THIS DRAWING IS UNPUBLISHED. RELEASED FOR PUBLICATION
 © COPYRIGHT BY TYCO ELECTRONICS CORPORATION. ALL RIGHTS RESERVED.

| | | | | | | | |
|-----|------|-----------|-----|-----------------------|---------|-----|------|
| LOC | DIST | REVISIONS | | | | | |
| AF | 50 | P | LTR | DESCRIPTION | DATE | DWN | APVD |
| | | | D2 | REV PER ECR 05-013999 | 25OCT05 | JR | PD |

- 1 CONTINUOUS STRIP ON REELS.
- 2 0.00254 [.000100] MIN THK TIN OVER 0.00127 [.000050] MIN NICKEL
- 3 MATING TAB THK IS 0.635±0.025 [.025±.001].
- 4 REVERSE REELING OF -1



SECTION A-A
SCALE 8:1

| | |
|---|-----------|
| 4 | 1217137-2 |
| | 1217137-1 |
| | PART NO. |

| | | | | | | | |
|--|--|------------------|-----------|-----------|--------------------------------------|------------------------------|------------|
| THIS DRAWING IS A CONTROLLED DOCUMENT. | | DWN | JR RUTH | 26JAN99 | | Tyco Electronics Corporation | |
| DIMENSIONS: INCHES | | CHK | MS FEHER | 26JAN99 | | Harrisburg, PA 17105 | |
| | | APVD | D BRATINA | 26JAN99 | | NAME | |
| TOLERANCES UNLESS OTHERWISE SPECIFIED: | | PRODUCT SPEC | | | RECEPTACLE, FASTON, 6.35/5.21 | | |
| 0 PLC ± - | | APPLICATION SPEC | | | [.250/.205] SERIES, PC BOARD MOUNTED | | |
| 1 PLC ± - | | WEIGHT | - | | SIZE | CAGE CODE | DRAWING NO |
| 2 PLC ± 0.25 [.010] | | CUSTOMER DRAWING | | SCALE | 4:1 | SHEET | 1 OF 1 |
| 3 PLC ± - | | | | A3 00779 | | REV D2 | |
| 4 PLC ± - | | | | C=1217137 | | RESTRICTED TO | |
| ANGLES ± - | | | | | | | |
| FINISH | | | | | | | |
| MATERIAL | | | | | | | |
| H04 BRASS | | | | | | | |