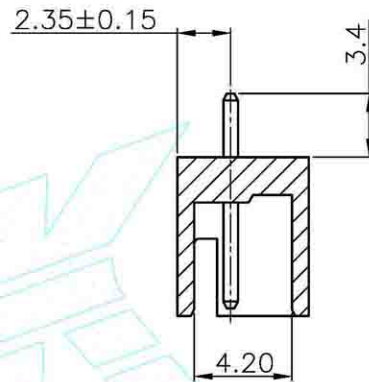
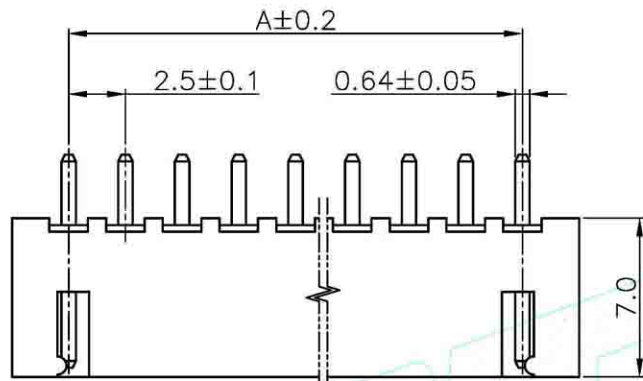
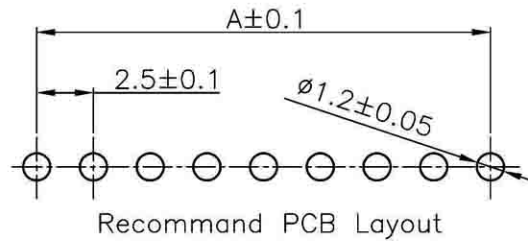
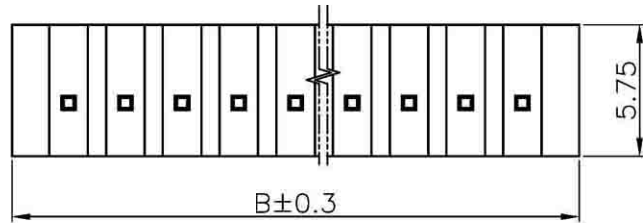


REV	ECN NO.	DESCRIPTION	DATE
A		RELEASE	OCT.03'03



Poles	Part No.	Dimensions(mm)	
		A	B
2	100102	2.50	7.50
3	100103	5.00	10.00
4	100104	7.50	12.50
5	100105	10.00	15.00
6	100106	12.50	17.50
7	100107	15.00	20.00
8	100108	17.50	22.50
9	100109	20.00	25.00
10	100110	22.50	27.50
11	100111	25.00	30.00
12	100112	27.50	32.50
13	100113	30.00	35.00
14	100114	32.50	37.50
15	100115	35.00	40.00
16	100116	37.50	42.50
17	100117	40.00	45.00
18	100118	42.50	47.50
19	100119	45.00	50.00
20	100120	47.50	52.50

■ SPECIFICATIONS

- Voltage Rating : 250V AC/DC
- Current Rating : 3A AC/DC
- Withstanding Voltage : 1,000V AC/minute
- Insulation Resistance : 1,000MΩ min
- Temperature Range : - 25°C to + 85°C
- Contact resistance : 20mΩ max.

■ WAFER

- Part No. : 1001**ST (Straight)
- Poles : 2 - 20
- Material : Contact : Brass, Tin Plated
Base : Nylon 66 UL94V-0
- Q' ty : 1,000 pcs./Bag

TOLERANCE UNLESS OTHERWISE SPECIFIED		
LINEAR	ANGLE	
X. ±	X° ±	
.X ±	.X° ±	
.XX ±	.XX° ±	
.XXX±	.XXX° ±	
APPD		
CHKD		
DRAW	Z.	OCT.03'2003

PROJECTION	
UNITS	MM
SCALE	
SIZE	A4



GOLD-TEK ELECTRIC CO., LTD.

TITLE
2.50mm PITCH WAFER
TOP ENTRY TYPE
CPART NO.

PART NO. 1001**ST
CAD NO. F:\DRW\HW\HW-0027
SHEET 1 OF 1

圖面編號:GTKSD1164-A(1)