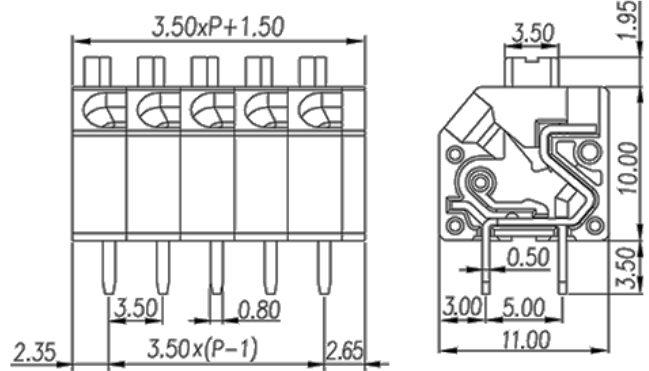
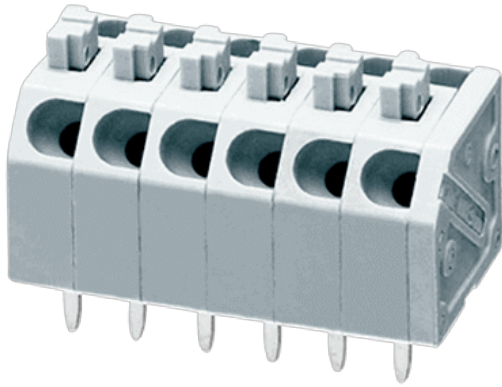


0137-40XX

PCB Terminal blocks > PCB Terminal Blocks



Product Description

Pitch: 3.50 mm , 300V, 5A

General information

Short description	PCB terminal blocks , Push in design
Connection method	Push in design
Type of locking	Without
Pitch mm	3.50
Level	Single level
Pin demensions (Thickness x Width) mm	0.5X0.8
PCB hole diameter mm	1.2

Material information

Insulation material	PA66
Flame retardant rating , compliant with UL94	V0
Color	Gray
Conductor material	Copper Alloy
Plating of conductor surface	Tinned

Connection data-UL

Stripping Length mm	9
---------------------	---

Rated voltage V (UL/CUL standard group B)	300
Rated current A (UL/CUL standard group B)	5
AWG, compliant with UL/CUL, Sol. max (group B)	16
AWG, compliant with UL/CUL, Sol. min (group B)	26
AWG, compliant with UL/CUL, Str. max (group B)	20
AWG, compliant with UL/CUL, Str. min (group B)	24

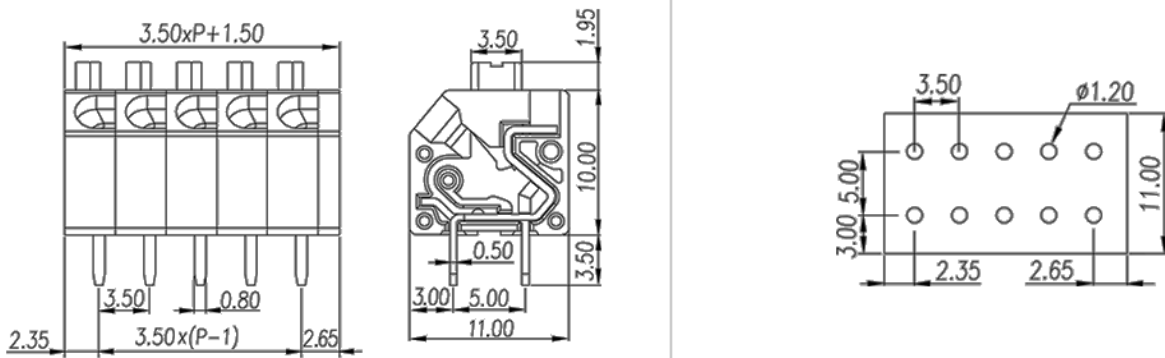
Connection data-IEC

Rated data	IEC 60998
Surge voltage category	III
Pollution degree	2
Insulating material group	I
Rated current A	17.5
Rated voltage V	130
Rated voltage V (II/2)	320
Rated voltage V (III/2)	160
Rated voltage V (III/3)	160
Rated impulse voltage KV (II/2)	2.5
Rated impulse voltage KV (III/2)	2.5
Rated impulse voltage KV (III/3)	2.5
Conductor cross section solid. min mm ²	0.2
Conductor cross section solid.max mm ²	1.5
Conductor cross section stranded. min mm ²	0.2
Conductor cross section stranded. max mm ²	0.5
Conductor cross section flexible, with max ferrule without plastic sleeve mm ²	1.5
Conductor cross section flexible, with min ferrule without plastic sleeve mm ²	0.25
Conductor cross section flexible, with max ferrule with plastic sleeve mm ²	1
Conductor cross section flexible, with min ferrule with plastic sleeve mm ²	0.25
2 conductors with same cross section flexible, max twin ferrules with plastic sleeve mm ²	0.75
2 conductors with same cross section flexible, min twin ferrules with plastic sleeve mm ²	0.5

Environment & Safety

Back of the hand protection (YES or NO)	YES
Finger protection (YES or NO)	YES
Operating temperature. max °C	115
Operating temperature. min °C	-40

Drawings



Approvals

