

胜业电气股份有限公司
胜业电气(香港)有限公司

销售热线: 0757-27830190/278301407
传真: 0757-2783 0187
邮箱: dz@shengye.com

技术支持: 0757-27881763
传真: 0757-2783 0187
邮箱: itc.tech@shengye.com

SHENGYE ELECTRICAL CO., LTD
SHENGYE ELECTRICAL (HONGKONG) CO., LTD

ITC Department
Sales Hotline
Tel : +86 757 27830190/27830147
Fax : +86 757-27830187
Email : dz@shengye.com

Technical Service
Tel : 0757-27881763
Fax : +86 757-27830187
Email : itc.tech@shengye.com

 胜业国际
Sheng Ye International



 胜业国际 | 电容
Sheng Ye International Capacitor

Web: www.shengye.com

地址: 广东省佛山市顺德区伦教新熹四路4号
528309

Add: NO.4,Xinxi 4th Road, Shun de Foshan City,
Guang dong Province,528309,P.R.China

油式薄膜电容器
OIL FILLED CAPACITOR

www.shengye.com

安全 安稳 安心
 Safety Reliability Assurance



目录 CONTENTS



- 专注生产薄膜电容20年
 Specialized in manufacturing film capacitors for 20 years
- 国产电容国际化领导品牌
 International leading brand of China-made capacitor
- 电气行业领跑者战略供应商
 Forerunner of strategic supplier in Electrical Industry

> 质量方针 Our Mission

精益求精，让用户放心；同心协力，创胜业名牌！
 Our excellence, your confidence, thorough coordination & teamwork will strengthen our reputation!

1	企业简介 ----- About Us	Page - 01-02
2	金属化薄膜油式电容器产品介绍 ----- Oil Filled Capacitor Introduction	Page - 03-04
3	顶盖防爆电容器 Top Cover Bulge Capacitor	
○	3.1 顶盖防爆圆形单容量电容器 (B级) ----- Single Round shape capacitor (Class B)	Page - 05
○	3.2 顶盖防爆圆形双容量电容器 (B级) ----- Dual Round capacitor(Class B)	Page - 06
○	3.3 顶盖防爆椭圆形单容量电容器 (B级) ----- Single Oval shape capacitor(Class B)	Page - 07
○	3.4 顶盖防爆椭圆形双容量电容器 (B级) ----- Dual Oval Capacitor(Class B)	Page - 08
○	3.5 顶盖防爆圆形单容量电容器 (C级) ----- Single Round shape capacitor (Class C)	Page - 09
○	3.6 顶盖防爆圆形双容量电容器 (C级) ----- Dual Round capacitor(Class C)	Page - 10
○	3.7 顶盖防爆椭圆形单容量电容器 (C级) ----- Single Oval shape capacitor(Class C)	Page - 11
○	3.8 顶盖防爆椭圆形双容量电容器 (C级) ----- Dual Oval Capacitor(Class C)	Page - 12
○	3.9 顶盖防爆滤波电容器 ----- Filter Capacitor	Page - 13
○	3.10 顶盖防爆灯具电容器 ----- Lighting Capacitor	Page - 14
4	拉伸防爆电容器 Two Grooves Extension Capacitor	
○	2.1 拉伸防爆圆形单容量电容器 (A/B级) ----- Two Grooves Extension Capacitor (Class A/B)	Page - 15
○	2.2 拉伸防爆圆形单容量电容器 (C级) ----- Two Grooves Extension Capacitor (Class C)	Page - 16



企业简介 ABOUT US

www.shengye.com

胜业电气股份有限公司始建于1996年，属国家高新技术企业，是一家集研发、生产、销售及售后服务于一体大型专业薄膜电容器及相关电子元器件制造企业。建筑面积50,000平方米、员工800多人、拥有50余项国家专利。公司先后通过了ISO9001、ISO 14001、OHSAS 18001、TS16949等体系认证、产品通过UL、中国CQC、德国 VDE、TUV及加拿大CSA等质量认证。

产品70%远销欧美，年销售额达4亿多元。已与多家国际知名企业建立合作，包括美国通用电气（GE），美国惠而浦（WHIRLPOOL），新西兰ABB电气，艾默生电气（EMERSON），日本电产，国家电网，南瑞，特变电工等。

主要产品系列包括：

- 家用电器、工业电机、灯具补偿类电容器：CBB61，CBB60及CBB65系列电容器。
- 电能质量管理类电容、元器件及相关设备：无功补偿、滤波电容，4S智能电容，无功补偿控制器，电抗器，补偿/滤波组件，模组，APF成套设备等。
- 电力电子类电容器：直流支撑、高频交流滤波、阻尼吸收、储能类电容器。主要应用于光伏、风电、焊机、UPS、SVG、开关电源、电动汽车、电力机车及柔性高压直流输电等电力电子行业。

欢迎广大用户前来我司参观指导！

> 展会 Exhibitions



ShengYe Electrical Co.,Ltd was established in 1996, an ISO9001\ ISO 14001\OHSAS 18001\TS16949 approved enterprise, one of the National High Technology Enterprises, specialized in R&D, manufacture, sales and after-sale service of film capacitors and other electrical elements. The New factory covers more than 50 thousands square meters, with more than 800 skillful workers. Our products have got over 40 patents and international certificates of UL\ CQC\ VDE\ TUV\ CSA.

Our products are sold to North America, Europe, Southeast Asia, Australia and other oversea markets by 70%; annual turnover reaches USD 70 millions. Through years of hardworking, we have earned customers' trust and reputation. Now we have become strategic partners with GE\ WHIRLPOOL\ ABB (NEW ZEALAND)\ EMERSON \ NIDEC \ State Grid Corporation of China\WARINTEBA,ETC.

Our business scope including:

- AC motor capacitors: including CBB61, CBB60, CBB65 series, which are used in household appliances\ industrial motors\ lights and etc;
- Power quality management components and devices: including PFC capacitors, 4S intelligent capacitors, PFC controller, series reactor, PFC groupware, PFC module, APF device, etc.
- Power electronics capacitors: including DC-link capacitors, Heavy-duty AC filter capacitors, Impulse capacitor, Snubber capacitors, which are used in PV inverter, wind-power converter, Energy-storage welding machine, UPS, SVG, HVDC, electric locomotive and etc.

Kindly invite you to contact ShengYe Electrical Co.,Ltd.

> 车间设备 Workshop



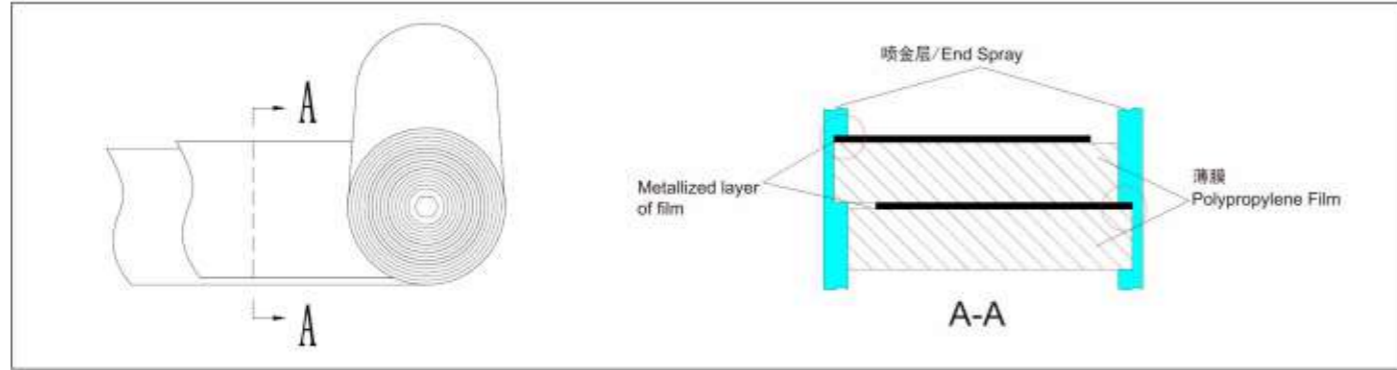


金属化薄膜油式电容器产品介绍

OIL FILLED CAPACITOR INTRODUCTION

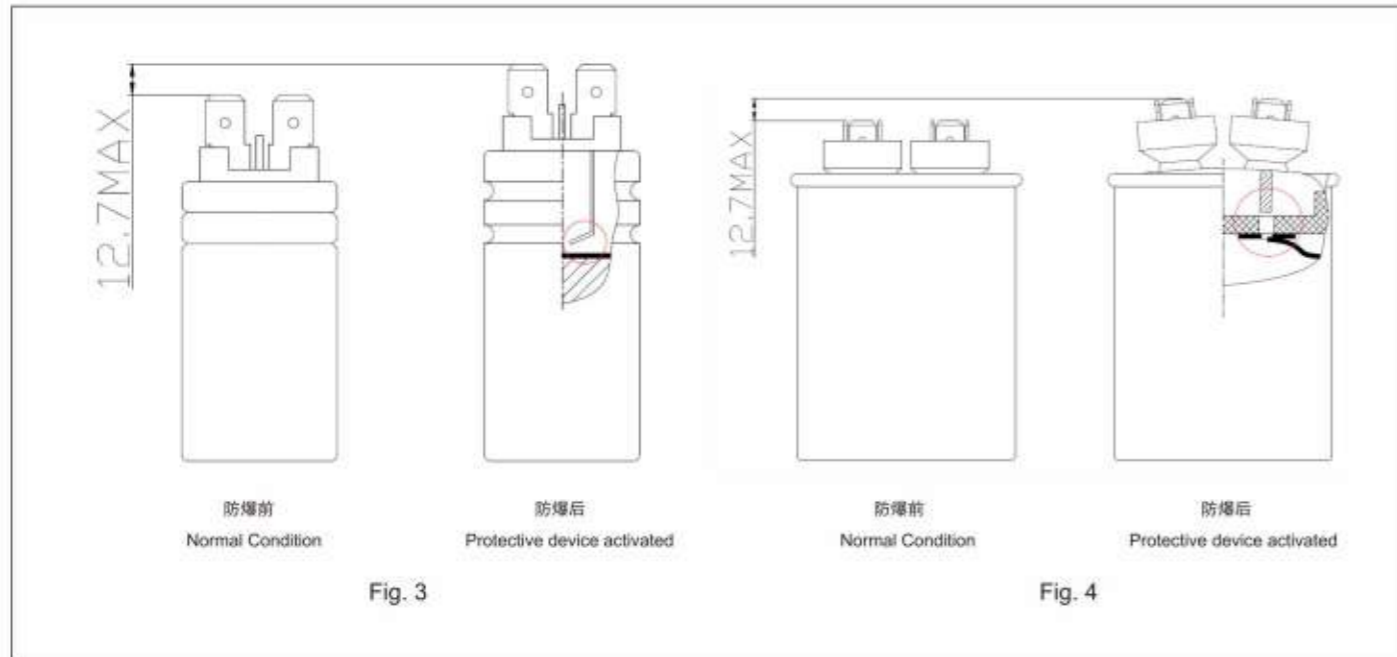
胜业油式电容器采用高品质金属化聚丙烯薄膜。聚丙烯薄膜对于连续性工作交流电压的应用是最高效，节能的介质材料。金属化的膜卷绕成电容器芯子（具有相反留边的两层薄膜卷绕在一起），然后喷金属到电容器芯子的两端作为连接层，从而在每一端引出电极。请参考图片如下：

Sheng Ye oil filled capacitor utilize high quality of metallized polypropylene film. Polypropylene films are the most energy efficient dielectric materials for continuous duty AC voltage applications. The films are metallized and wound into capacitor elements (Two layers of film with opposite margin are wound together). Then spray the metal to the two end of capacitor elements to connect layers and form the electrodes at each end. Please refer the pictures as below:



我们用高分子量的矿物油作为填充材料，这种类型的油可以防护电容器芯子被腐蚀，并具有良好的散热性和稳定的分子链，对于油式电容它是一种理想的填充材料。我们的油式电容有两种机械防爆结构，分别为双滚槽拉伸防爆电容（图3）和顶盖防爆电容（图4）。当电容器内部永久性击穿或聚丙烯薄膜长期在电场作用下的老化，电流会导致介质分解为气体，所产生的压力向上推盖板部分，从而内部的连接保护装置断开，中断电流回路，防止了电容器的爆炸和燃烧。

We use high molecular weight of mineral oil as filling material. This type of oil can protect capacitor elements from corrosion and have excellent heat dissipation property and stable molecular chain. It is one type of ideal filling material for oil filled capacitor. Our oil filled capacitor has two mechanical explosion proof constructions, one is two grooves extension capacitor as Fig.3, the other is the top cover bulge capacitor as Fig.4. In case of permanent short-circuit or the polypropylene film is influenced for long-term under the electric field, the current causes the dielectric to decompose, forming gas: the resulting pressure pushes up the part of the lid where the terminals are mounted, thus breaking the internal connections and stopping the current flow, preventing the capacitor from exploding or burning.



超压安全装置的操作

OPERATION OF THE OVERPRESSURE SAFETY DEVICE

为了确保安全装置正确的使用，当电容器被安装，在端子以上必须保留至少12.7毫米的间隙
In order to ensure proper device operation, when the capacitor is installed, A clearance of at least 12.7 mm must be left above terminals

产品特点:

- 预期寿命长
- 高安全可靠等级
- 损耗因数小
- 低温升
- 自愈性优异
- 终端失效率低
- 容量稳定

FEATURES:

- Long life expectation
- High safety level
- Low dissipation factor
- Low temperature rise
- Excellent self healing character
- Low DPPM in field
- Stable capacitance

存放条件:

1. 电容不要存储在腐蚀条件下，如储存有酸性或碱性液体，硫化物或类似的物质的地方。
2. 存储电容器时，请整理好电容的存放空间。不要让不干净的物质贴附电容器上，特别是端子，以防止与其他部件组装完成后接触不良。

STORAGE CONDITIONS:

1. Do not store capacitor in corrosive conditions, like where acidic or alkali liquid, sulfide or similar substances are stored or present.
2. When storing the capacitor, please pack it well. Do not let dirty substance pasted on the capacitor, specially on the terminals, to prevent bad contact after assembling with other components.

工作条件:

1. 电容器应该在额定的温度下使用，例如：40/70/21是指所允许的最低温度是-40℃和允许的最高温度是70℃。较高的温度会导致电容器的期望寿命变短，并可能会导致保护装置不能正常工作。
2. 电容器应在额定电压下使用，较高的电压将导致缩短电容器的预期寿命。
3. 请注意电容器的应用：不要使用暖通空调类型的电容应用在UPS电源，灯具或其他类型的装置上，反之如此。例如：暖通空调的应用的频率是50或60赫兹，但UPS电源的应用频率为50或60赫兹的整数倍，这将导致一个高于额定的电流通过电容器，从而导致更多的热量产生和迅速地聚集在电容器的内部，这可能会导致你的设备或系统故障。

OPERATION CONDITIONS:

1. The capacitor shall be used under rated temperature. Example: 40/70/21 means the minimum allowable temperature is -40°C and the maximum permissible temperature is +70 °C. Higher temperatures will cause the expectation life of capacitor shorter and may cause the protection device inoperable.
2. The capacitor shall be used under rated voltage. Higher voltage will cause the expectation life of capacitor shorter.
3. Please note the application of capacitor. Do not use a HVAC capacitor to UPS application or Light application or other application, vice versa. For example: for HVAC application the frequency is 50 or 60 Hz but for UPS application the frequency are multiples of 50 or 60 Hz. It will cause a higher than rated current through capacitor, resulting with more heat generating and gathering inside of capacitor very quickly. It may cause a catastrophic failure to your equipment or system.

维修:

1. 如果电容器发生故障后，不要试图维修，请立刻更换。
2. 在触摸电容器之前请记住对电容器短路放电。

MAINTENANCE:

1. Do not try to repair or maintain the capacitor if one fails, please just replace it.
2. Remember to short circuit and discharge the capacitor before handling.



顶盖防爆电容器-B级

TOP COVER BULGE CAPACITOR-CLASS B

- 执行标准: 《UL810-2008》《IEC 60252-1:2013》《GB/T 3667.1-2016》。
- 产品特点: 损耗小, 内部温升低, 使用寿命长, 自愈性优异, 电容量稳定, 内置防爆装置, 使用安全可靠。
- 产品用途: 广泛用于空调、洗衣机、洗碗机、风机等电器设备的电机(压缩机)启动运行。

● 主要技术参数:

额定电压: 110VAC—600VAC
容量偏差: ±5%、+10/-5%、±10%
损耗角正切值: tg δ ≤ 0.0025 (100Hz)
极间耐压: 2Un/5s
极壳耐压: 2000VAC or 2.4Un+1200VAC
产品认证: UL、CUL、TUV

稳态过电压: 允许1.1Un下长期运行
稳态过电流: 允许1.3In下长期运行
气候类别: 40/70/21 40/85/21
运行等级: B (10000h)
安全防护等级: S2

Standard: 《UL810-2008》《IEC 60252-1:2013》《GB/T 3667.1-2016》。

Feature: Low dissipation factor, Low temperature rise, Long service life, Excellent self-healing property, Stable capacitance, Inner explosion-proof device

Application: Mainly as motor run capacitor for Air conditioner, washing machine, dishwasher, fan ect.

Technical parameter:

Rate voltage: 110VAC—600VAC
Overload voltage: Be allowable to operate under 1.1 Un
Tolerance: ±5%、+10/-5%、±10%
Overload current: Be allowable to operate under 1.3 In
Dissipation factor: tgδ≤0.0025(100Hz)
Operation Temperature: 40/70/21 40/85/21
Class of operation: B(10000h) Safety level: 10000AFC,S2.
Withstanding voltage between terminal to case: 2000VAC or 2.4Un+1200VAC
Life Expectation: 10,000hours.
Approval: UL、CUL、TUV



顶盖防爆电容器-B级

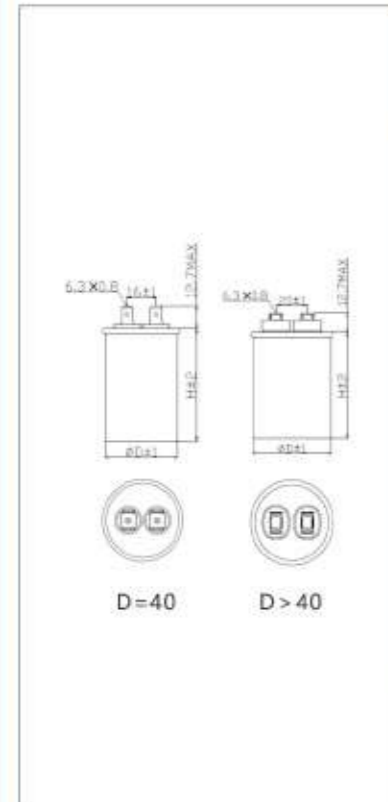
TOP COVER BULGE CAPACITOR-CLASS B

顶盖防爆圆形双容量电容器 (B级)

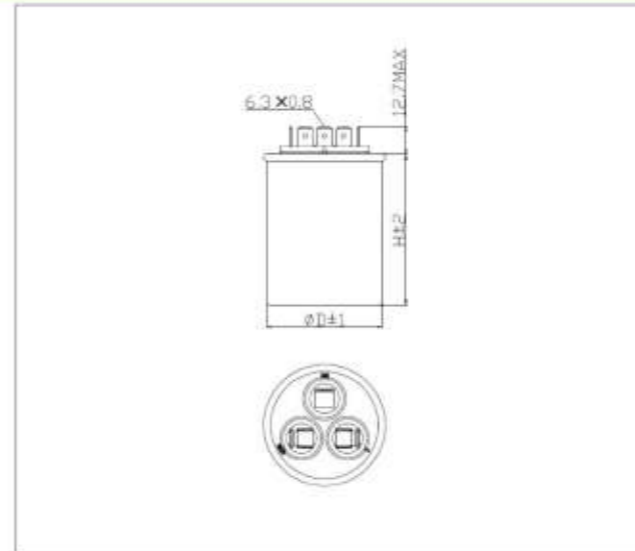
Dual round capacitor dimension sheet (Class B)

容量 μF	尺寸 Dim	电压 Voltage			
		370VAC/400VAC		440VAC/450VAC	
		D	H	D	H
20+5		50	91	50	91
20+7.5		50	91	50	101
20+10		50	101	50	101
25+5		50	91	50	101
25+7.5		50	91	50	111
25+10		50	101	50	111
30+5		50	101	50	111
30+7.5		50	101	50	121
30+10		50	111	50	121
35+5		50	101	50	121
35+7.5		50	101	50	131
35+10		50	111	50	131
40+5		50	111	50	101
40+7.5		50	111	50	101
40+10		50	121	50	111
45+5		50	121	50	101
45+7.5		50	121	50	101
45+10		50	131	50	111
50+5		50	121	50	111
50+7.5		50	121	50	111
50+10		50	131	50	121
55+5		63.5	101	63.5	111
55+7.5		63.5	101	63.5	111
55+10		63.5	101	63.5	121
60+5		63.5	101	63.5	121
60+7.5		63.5	101	63.5	121
60+10		63.5	101	63.5	131
65+5		63.5	111	63.5	121
65+7.5		63.5	111	63.5	121
65+10		63.5	111	63.5	131
70+5		63.5	111	63.5	131
70+7.5		63.5	111	63.5	131
70+10		63.5	111	63.5	141
75+5		63.5	121	63.5	131
75+7.5		63.5	121	63.5	131
75+10		63.5	121	63.5	141
80+5		63.5	121	63.5	141
80+7.5		63.5	121	63.5	141
80+10		63.5	121	63.5	151

顶盖防爆圆形单容量电容器 (B级)
Single round capacitor dimension sheet (Class B)



容量 μF	尺寸 Dim	电压 Voltage							
		250VAC		300VAC		370VAC/400VAC		440VAC/450VAC	
		D	H	D	H	D	H	D	H
2		40	61	40	61	40	61	40	61
3		40	61	40	61	40	61	40	61
4		40	61	40	61	40	61	40	61
5		40	61	40	61	40	61	40	61
6		40	61	40	61	40	61	40	61
7.5		40	61	40	61	40	61	40	61
8		40	61	40	61	40	61	40	61
10		40	61	40	61	40	61	40	71
12.5		40	61	40	61	40	71	40	81
15		40	61	40	61	40	71	40	81
17.5		40	61	40	61	40	81	40	91
20		40	61	40	61	40	81	45	81
25		40	61	40	71	40	91	45	91
30		40	71	40	71	45	91	45	111
35		45	71	40	81	45	101	50	101
40		45	81	45	81	45	101	50	106
45		45	81	45	81	45	111	50	111
50		45	81	45	81	50	101	55	111
55		45	81	45	91	50	106	55	111
60		45	81	45	91	50	121	63.5	101
65		50	91	50	91	55	111	63.5	101
70		50	91	50	91	55	111	63.5	111
75		50	91	50	91	55	111	63.5	111
80		50	101	50	101	63.5	101	63.5	121

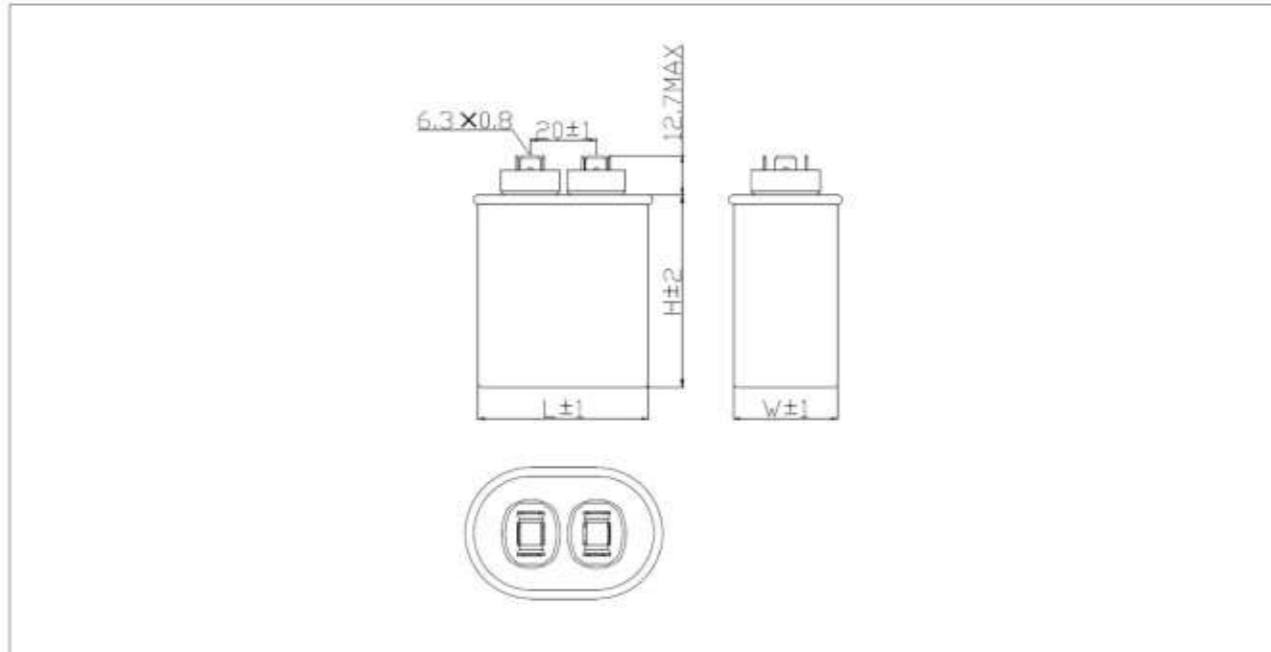


- ◆ 该产品取得UL认证, 型号为C65R。 UL certificate and related Model: C65R.
- ◆ 端子数为: 1+3+3。 Terminal blades No.: 1+3+3.
- ◆ 根据客户需求, 该产品可设计为A级。 This model can be designed by 30000h of life expectation based on client request.
- ◆ 特殊要求可根据客户要求协商制作。 Special request or dimension can be meet as well.



顶盖防爆电容器-B级

TOP COVER BULGE CAPACITOR-CLASS B



顶盖防爆椭圆形单容量电容器 (B级)
Single oval capacitor dimension sheet (Class B)

容量 μF	尺寸 Dim	电压 Voltage											
		250VAC			300VAC			370VAC/400VAC			440VAC/450VAC		
		L	W	H	L	W	H	L	W	H	L	W	H
2		51.5	31.5	41	51.5	31.5	41	51.5	31.5	41	51.5	31.5	41
3		51.5	31.5	41	51.5	31.5	41	51.5	31.5	41	51.5	31.5	41
4		51.5	31.5	41	51.5	31.5	41	51.5	31.5	41	51.5	31.5	41
5		51.5	31.5	41	51.5	31.5	41	51.5	31.5	41	51.5	31.5	61
6		51.5	31.5	41	51.5	31.5	41	51.5	31.5	61	51.5	31.5	61
7.5		51.5	31.5	41	51.5	31.5	41	51.5	31.5	61	51.5	31.5	61
8		51.5	31.5	61	51.5	31.5	61	51.5	31.5	61	51.5	31.5	71
10		51.5	31.5	61	51.5	31.5	61	51.5	31.5	61	51.5	31.5	71
12.5		51.5	31.5	61	51.5	31.5	61	51.5	31.5	71	51.5	31.5	81
15		51.5	31.5	71	51.5	31.5	71	51.5	31.5	71	51.5	31.5	81
17.5		51.5	31.5	71	51.5	31.5	71	51.5	31.5	81	71	45	71
20		51.5	31.5	71	51.5	31.5	71	51.5	31.5	81	71	45	71
25		51.5	31.5	81	51.5	31.5	81	71	45	71	71	45	81
30		51.5	31.5	81	51.5	31.5	81	71	45	71	71	45	81
35		71	45	71	71	45	71	71	45	81	71	45	91
40		71	45	71	71	45	71	71	45	81	71	45	101
45		71	45	71	71	45	71	71	45	91	71	45	111
50		71	45	81	71	45	81	71	45	91	71	45	111
55		71	45	81	71	45	81	71	45	101	90	48	91
60		71	45	91	71	45	91	71	45	111	90	48	101
65		71	45	91	71	45	91	71	45	111	90	48	111
70		71	45	91	71	45	91	90	48	91	90	48	111
75		71	45	101	71	45	101	90	48	91	90	48	121
80		71	45	101	71	45	101	90	48	101	90	48	121

- ◆ 该产品取得UL认证, 型号为C65V.
- ◆ 根据客户需求, 该产品可设计为A级.
- ◆ 端子数为: 4+4.
- ◆ 特殊要求可根据用户要求协商制作.

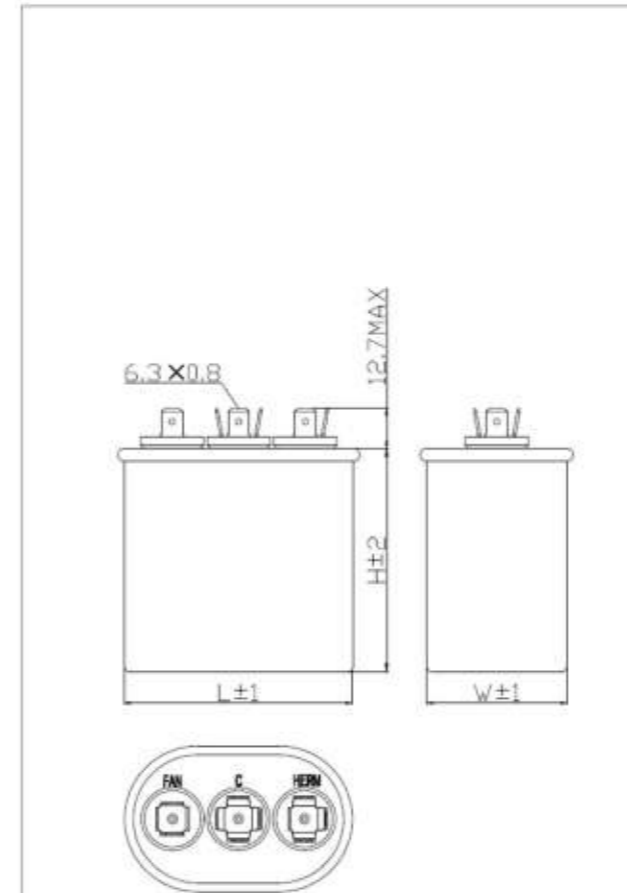
UL certificate and related Model: C65V.
This model can be designed by 30000h of life expectation based on client request.
Terminal blades No.: 4+4.
Special request or dimension can be meet as well.

顶盖防爆电容器-B级

TOP COVER BULGE CAPACITOR-CLASS B

顶盖防爆椭圆形双容量电容器 (B级)

Dual oval capacitor dimension sheet (Class B)



容量 μF	尺寸 Dim	电压 Voltage					
		370VAC			440VAC		
		L	W	H	D	D	H
20+5		71	45	71	71	45	81
20+7.5		71	45	71	71	45	81
20+10		71	45	71	71	45	81
25+5		71	45	81	71	45	91
25+7.5		71	45	81	71	45	91
25+10		71	45	81	71	45	91
30+5		71	45	81	71	45	101
30+7.5		71	45	81	71	45	101
30+10		71	45	81	71	45	101
35+5		71	45	91	71	45	111
35+7.5		71	45	91	71	45	111
35+10		71	45	91	71	45	111
40+5		71	45	101	90	48	101
40+7.5		71	45	101	90	48	101
40+10		71	45	101	90	48	101
45+5		71	45	101	90	48	101
45+7.5		71	45	101	90	48	101
45+10		71	45	101	90	48	101
50+5		71	45	111	90	48	111
50+7.5		71	45	111	90	48	111
50+10		71	45	111	90	48	111
55+5		90	48	101	90	48	111
55+7.5		90	48	101	90	48	111
55+10		90	48	101	90	48	111
60+5		90	48	101	90	48	121
60+7.5		90	48	101	90	48	121
60+10		90	48	101	90	48	121
65+5		90	48	111	90	48	121
65+7.5		90	48	111	90	48	121
65+10		90	48	111	90	48	121
70+5		90	48	111	90	48	131
70+7.5		90	48	111	90	48	131
70+10		90	48	111	90	48	131
75+5		90	48	111	90	48	131
75+7.5		90	48	111	90	48	131
75+10		90	48	111	90	48	131
80+5		90	48	121	90	48	141
80+7.5		90	48	121	90	48	141
80+10		90	48	121	90	48	141

- ◆ 该产品取得UL认证, 型号为C65V. UL certificate and related Model: C65V.
- ◆ 根据客户需求, 该产品可设计为A级. This model can be designed by 30000h of life expectation based on client request.
- ◆ 端子数为: 2+3+4. Terminal blades No.: 2+3+4.
- ◆ 特殊要求可根据用户要求协商制作. Special request or dimension can be meet as well.





顶盖防爆电容器-C级

TOP COVER BULGE CAPACITOR-CLASS C

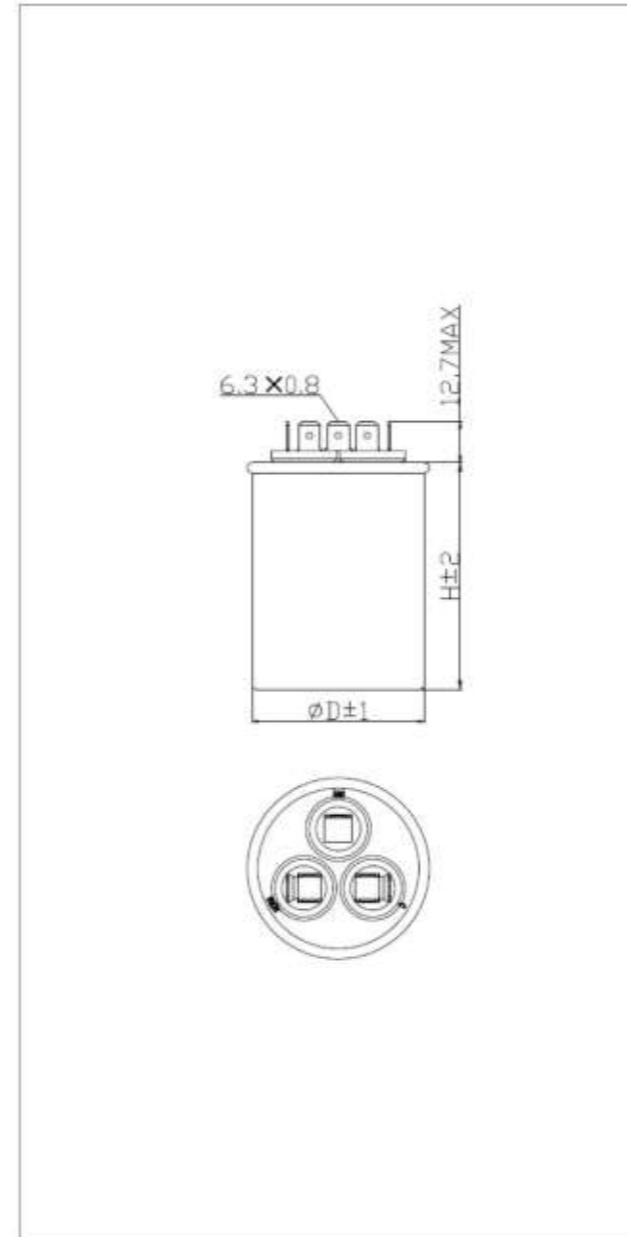
- 执行标准: 《UL810-2008》《IEC 60252-1:2013》《GB/T 3667.1-2016》。
 - 产品特点: 损耗小, 内部温升低, 自愈性优异, 电容量稳定, 内置防爆装置, 使用安全可靠。
 - 产品用途: 广泛用于空调、洗衣机、洗碗机、风机等电器设备的电机(压缩机)启动运行。
 - 主要技术参数:
 - 额定电压: 110VAC—600VAC
 - 容量偏差: $\pm 5\%$, $+10/-5\%$, $\pm 10\%$
 - 损耗角正切值: $\text{tg } \delta \leq 0.0025$ (100Hz)
 - 极间耐压: $2U_n/5s$
 - 极壳耐压: 2000VAC or $2.4U_n+1200VAC$
 - 产品认证: UL, CUL, VDE, TUV, CQC
 - 稳态过电压: 允许 $1.1U_n$ 下长期运行
 - 稳态过电流: 允许 $1.3I_n$ 下长期运行
 - 气候类别: 40/70/21, 40/85/21
 - 运行等级: C (3000h)
 - 安全防护等级: 10000AFC, S2
- Standard: 《UL810-2008》《IEC 60252-1:2013》《GB/T 3667.1-2016》。
 Feature: Low dissipation factor, Low temperature rise, Long service life, Excellent self-healing property, Stable capacitance, Inner explosion-proof device
 Application: Mainly as motor run capacitor for Air conditioner, washing machine, dishwasher, fan ect.
 Technical parameter:
 Rate voltage: 110VAC—600VAC
 Overload voltage: Be allowable to operate under $1.1 U_n$
 Tolerance: $\pm 5\%$, $+10/-5\%$, $\pm 10\%$
 Overload current: Be allowable to operate under $1.3 I_n$
 Dissipation factor: $\text{tg } \delta \leq 0.0025$ (100Hz)
 Operation Temperature: 40/70/21, 40/85/21
 Class of operation: C(3000h) Safety level: 10000AFC, S2
 Withstanding voltage between terminal to case: 2000VAC or $2.4U_n+1200VAC$
 Withstanding voltage between terminal to terminal: $2U_n/5s$
 Life Expectation: 3000hours.
 Approval: UL, CUL, TUV, VDE, CQC.



顶盖防爆电容器-C级

TOP COVER BULGE CAPACITOR-CLASS C

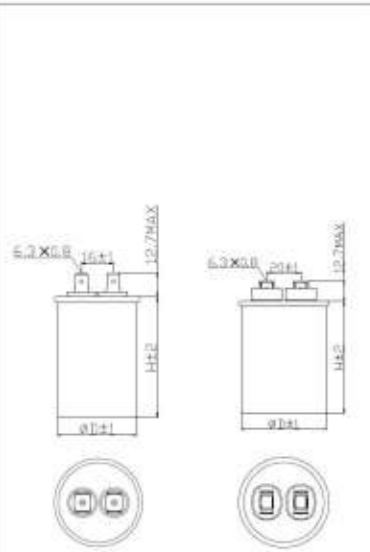
顶盖防爆圆形双容量电容器 (C级)
Dual round capacitor(Class C)



容量 μF	尺寸 Dim	电压 Voltage			
		370VAC/400VAC		440VAC /450VAC	
		D	H	D	H
20+5		50	91	50	91
20+7.5		50	91	50	101
20+10		50	101	50	101
25+5		50	91	50	91
25+7.5		50	91	50	101
25+10		50	101	50	101
30+5		50	101	50	101
30+7.5		50	101	50	111
30+10		50	111	50	111
35+5		50	101	50	101
35+7.5		50	101	50	111
35+10		50	111	50	111
40+5		50	111	50	111
40+7.5		50	111	50	121
40+10		50	121	50	121
45+5		50	121	50	121
45+7.5		50	121	50	131
45+10		50	131	50	131
50+5		50	121	50	121
50+7.5		50	121	50	131
50+10		50	131	50	131
55+5		63.5	101	63.5	101
55+7.5		63.5	101	63.5	101
55+10		63.5	101	63.5	111
60+5		63.5	101	63.5	101
60+7.5		63.5	101	63.5	101
60+10		63.5	101	63.5	111
65+5		63.5	111	63.5	111
65+7.5		63.5	111	63.5	111
65+10		63.5	111	63.5	121
70+5		63.5	111	63.5	111
70+7.5		63.5	111	63.5	111
70+10		63.5	111	63.5	121
75+5		63.5	121	63.5	121
75+7.5		63.5	121	63.5	121
75+10		63.5	121	63.5	131
80+5		63.5	121	63.5	121
80+7.5		63.5	121	63.5	121
80+10		63.5	121	63.5	131

顶盖防爆圆形单容量电容器 (C级)

Single round capacitor dimension sheet(Class C)



容量 μF	尺寸 Dim	电压 Voltage							
		250VAC		300VAC		370VAC/400VAC		440VAC/450VAC	
		D	H	D	H	D	H	D	H
2		40	61	40	61	40	61	40	61
3		40	61	40	61	40	61	40	61
4		40	61	40	61	40	61	40	61
5		40	61	40	61	40	61	40	61
6		40	61	40	61	40	61	40	61
7.5		40	61	40	61	40	61	40	61
8		40	61	40	61	40	61	40	61
10		40	61	40	61	40	61	40	61
12.5		40	61	40	61	40	71	40	71
15		40	61	40	61	40	71	40	71
17.5		40	61	40	61	40	81	40	81
20		40	61	40	61	40	81	40	81
25		40	61	40	71	40	91	40	91
30		40	71	40	71	45	91	45	91
35		45	71	40	81	45	101	45	101
40		45	81	45	81	45	101	45	101
45		45	81	45	81	45	111	45	111
50		45	81	45	81	50	101	50	101
55		45	81	45	91	50	106	50	106
60		45	81	45	91	50	121	50	121
65		45	91	50	91	55	111	55	111
70		45	91	50	91	55	111	55	111
75		45	91	50	91	55	111	55	111
80		50	91	50	101	63.5	101	63.5	101

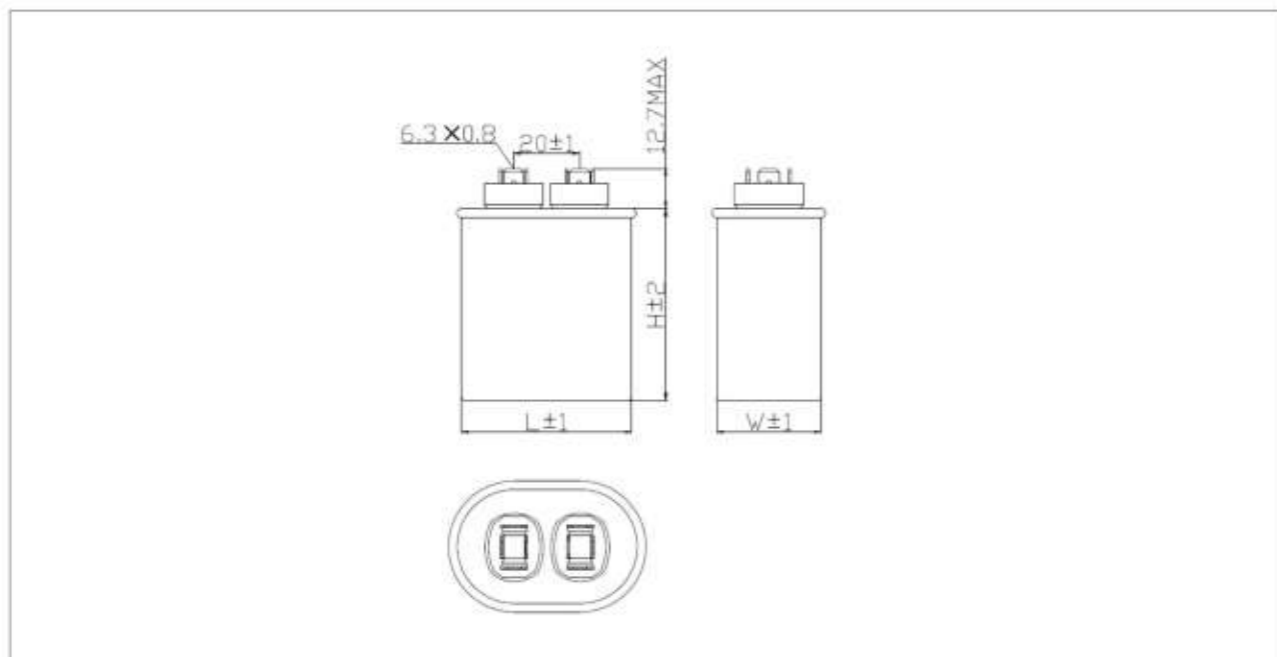
- ◆ 该产品取得UL认证, 型号为C65R;
 - ◆ 取得VDE, CQC, TUV认证, 型号为CBB65;
 - ◆ 直径为φ40时端子数为: 2+2; 直径大于φ40时端子数为: 4+4; 特殊要求可根据用户要求协商制作。
- UL certificate and related model: C65R
 VDE CQC TUV certificate and related model: CBB65
 Terminal blades number is 2+2 when the diameter is 40mm.
 Terminal blades number is 4+4 when the diameter more than 40mm.
 Special request or dimension can be meet as well.





顶盖防爆电容器-C级

TOP COVER BULGE CAPACITOR-CLASS C



顶盖防爆椭圆形单容量电容器 (C级)
Single oval capacitor dimension sheet(Class C)

容量 μF	尺寸 Dim	电压Voltage											
		250VAC			300VAC			370VAC/400VAC			440VAC/450VAC		
2		51.5	31.5	41	51.5	31.5	41	51.5	31.5	41	51.5	31.5	41
3		51.5	31.5	41	51.5	31.5	41	51.5	31.5	41	51.5	31.5	41
4		51.5	31.5	41	51.5	31.5	41	51.5	31.5	41	51.5	31.5	41
5		51.5	31.5	41	51.5	31.5	41	51.5	31.5	41	51.5	31.5	61
6		51.5	31.5	41	51.5	31.5	41	51.5	31.5	61	51.5	31.5	61
7.5		51.5	31.5	41	51.5	31.5	41	51.5	31.5	61	51.5	31.5	61
8		51.5	31.5	61	51.5	31.5	61	51.5	31.5	61	51.5	31.5	71
10		51.5	31.5	61	51.5	31.5	61	51.5	31.5	61	51.5	31.5	71
12.5		51.5	31.5	61	51.5	31.5	61	51.5	31.5	71	51.5	31.5	81
15		51.5	31.5	71	51.5	31.5	71	51.5	31.5	71	51.5	31.5	81
17.5		51.5	31.5	71	51.5	31.5	71	51.5	31.5	81	71	45	71
20		51.5	31.5	71	51.5	31.5	71	51.5	31.5	81	71	45	71
25		51.5	31.5	81	51.5	31.5	81	71	45	71	71	45	81
30		51.5	31.5	81	51.5	31.5	81	71	45	71	71	45	81
35		71	45	71	71	45	71	71	45	81	71	45	91
40		71	45	71	71	45	71	71	45	81	71	45	101
45		71	45	71	71	45	71	71	45	91	71	45	111
50		71	45	81	71	45	81	71	45	91	71	45	111
55		71	45	81	71	45	81	71	45	101	90	48	91
60		71	45	91	71	45	91	71	45	111	90	48	101
65		71	45	91	71	45	91	71	45	111	90	48	111
70		71	45	91	71	45	91	90	48	91	90	48	111
75		71	45	101	71	45	101	90	48	91	90	48	121
80		71	45	101	71	45	101	90	48	101	90	48	121

◆ 该产品取得UL认证, 型号为C65V。
◆ 端子数为: 4+4。
◆ 特殊要求可根据用户要求协商制作

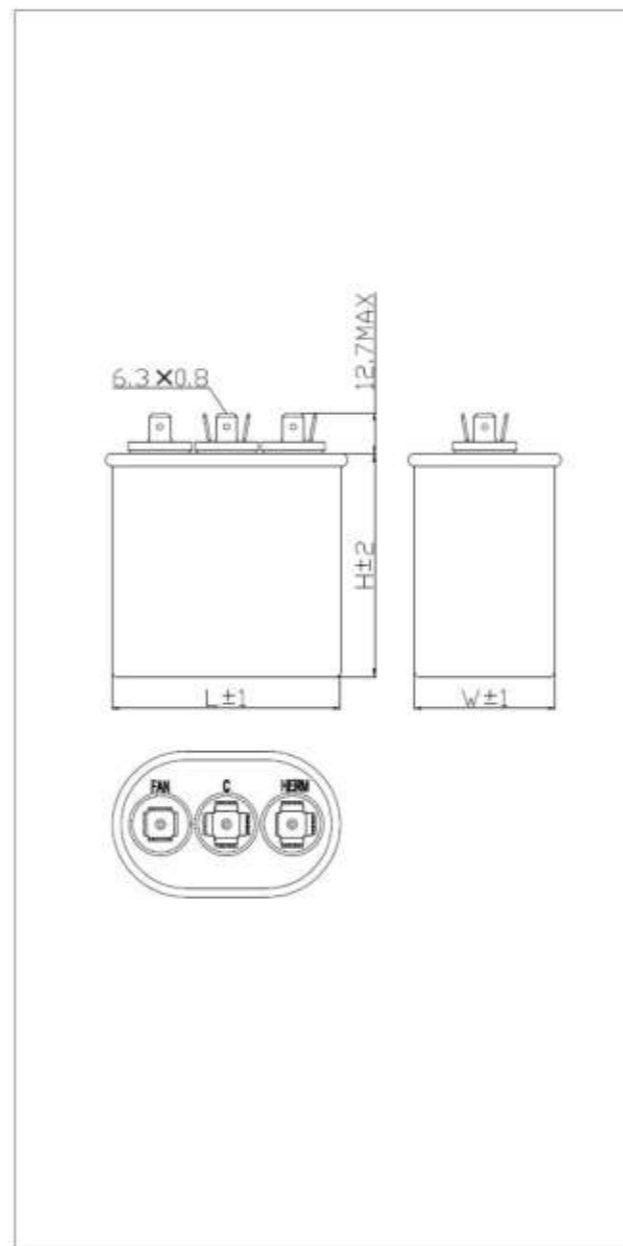
UL certificate and related Model: C65V.
Terminal blades number is 4+4.
Special request or dimension can be meet as well.

顶盖防爆电容器-C级

TOP COVER BULGE CAPACITOR-CLASS C

顶盖防爆椭圆形双容量电容器 (C级)

Dual oval capacitor dimension sheet (Class C)



容量 μF	尺寸 Dim	电压Voltage					
		370VAC			440VAC		
20+5		71	45	70	71	45	80
20+7.5		71	45	70	71	45	80
20+10		71	45	70	71	45	80
25+5		71	45	80	71	45	90
25+7.5		71	45	80	71	45	90
25+10		71	45	80	71	45	90
30+5		71	45	80	71	45	100
30+7.5		71	45	80	71	45	100
30+10		71	45	80	71	45	100
35+5		71	45	90	71	45	110
35+7.5		71	45	90	71	45	110
35+10		71	45	90	71	45	110
40+5		71	45	100	71	45	110
40+7.5		71	45	100	71	45	110
40+10		71	45	100	71	45	110
45+5		71	45	100	90	48	100
45+7.5		71	45	100	90	48	100
45+10		71	45	100	90	48	100
50+5		71	45	110	90	48	110
50+7.5		71	45	110	90	48	110
50+10		71	45	110	90	48	110
55+5		71	45	110	90	48	110
55+7.5		71	45	110	90	48	110
55+10		71	45	110	90	48	110
60+5		71	45	110	90	48	120
60+7.5		71	45	110	90	48	120
60+10		71	45	110	90	48	120
65+5		90	48	110	90	48	120
65+7.5		90	48	110	90	48	120
65+10		90	48	110	90	48	120
70+5		90	48	110	90	48	130
70+7.5		90	48	110	90	48	130
70+10		90	48	110	90	48	130
75+5		90	48	110	90	48	130
75+7.5		90	48	110	90	48	130
75+10		90	48	110	90	48	130
80+5		90	48	120	90	48	140
80+7.5		90	48	120	90	48	140
80+10		90	48	120	90	48	140

◆ 该产品取得UL认证, 型号为C65V。
◆ 端子数为: 2+3+4。
◆ 特殊要求可根据用户要求协商制作。

UL certificate and related Model: C65V.
Terminal blades number is 2+3+4.
Special request or dimension can be meet as well.





顶盖防爆滤波电容器
FILTER CAPACITOR



● 执行标准: 《UL810-2008》《GB/T 17702.2-2013》《IEC 61071-1:2007》《GB/T 3667.1-2016》。

● 产品特点: 产品为油式顶盖防爆结构, 具有内部温升低, 耐高频电流, 使用寿命长, 自愈性优异, 电容量稳定, 内置防爆装置, 使用安全可靠。

● 产品用途: 适用于参数稳压电源的谐振滤波及不间断电源的输出滤波电路。

● 主要技术参数:

额定电压: 250VAC—500VAC

容量偏差: ±5%、+10/-5%、±10%

损耗角正切值: $\tan\delta \leq 0.0025$ (100Hz)

极间耐压: 2Un/5s

极壳耐压: 2000VAC or 2.4Un+1200VAC

产品认证: UL、CUL、CQC

放电性能: $\sqrt{2}U_n$ 下端开60s后剩余电压小于50V。

稳态过电流: 允许1.1Un下长期运行

稳态过电流: 允许1.3In下长期运行

气候类别: 40/70/21 40/85/21

预期寿命: 10000h

安全防护等级: 10000AFC、S2

Standard: 《UL810-2008》《GB/T 17702.2-2013》《IEC 61071-1:2007》《GB/T 3667.1-2016》。

Feature: High safety level, low temperature rise, high frequency current carrying, long life expectation

Excellent self healing property, stable capacitance, Inner explosion-proof device.

Application: Mainly for resonance filter circuit for parameters stabilized voltage supply and the output filter circuit for UPS.

Technical parameter:

Rate voltage: 250VAC—500VAC

Dissipation factor: $\tan\delta \leq 0.0025$ (100Hz)

Safety level: 10000AFC, S2

Withstanding voltage between terminal to terminal: 2Un/5s

Withstanding Voltage between terminal to case: 2000VAC or 2.4Un+1200VAC

Overload voltage: Be allowable to operate under 1.1 Un

Overload current: Be allowable to operate under 1.3 In

Discharging property: The remaining voltage is less than 50V after being switched off from $\sqrt{2} U_n$ voltage 60s.

Capacitance tolerance: ±5%、+10/-5%、±10%

Climate classification: 40/70/21 40/85/21

Approval: UL, CUL, VDE, TUV, CQC

顶盖防爆灯具电容器
LIGHTING CAPACITOR



● 执行标准: 《UL810-2008》《IEC 61048:2006》《IEC 61049:1991》《GB/T 18489-2008》《GB/T 18504-2001》。

● 产品特点: 产品为油式顶盖防爆结构, 分为圆形和椭圆形。具有内部温升低, 使用寿命长, 自愈性优异, 电容量稳定, 内置防爆装置, 使用安全可靠。

● 产品用途: 适用于串联、并联型的日光灯和金属卤化物灯。

● 主要技术参数:

额定电压: 250VAC—580VAC

容量偏差: ±5%、+10/-5%、±10%

损耗角正切值: $\tan\delta \leq 0.0025$ (100Hz)

极间耐压: 2Un/5s

极壳耐压: 2000VAC or 2.4Un+1200VAC

产品认证: UL、CUL

放电性能: $\sqrt{2}U_n$ 下端开60s后剩余电压小于50V。

稳态过电流: 允许1.1Un下长期运行

稳态过电流: 允许1.3In下长期运行

气候类别: 40/70/21 40/85/21 40/105/21

预期寿命: 30000h

安全防护等级: 10000AFC、S2

Standard: 《UL810-2008》《IEC 61048:2006》《IEC 61049:1991》《GB/T 18489-2008》《GB/T 18504-2001》。

Feature: High safety level, low temperature rise, high frequency current carrying, long life expectation

Excellent self healing property, stable capacitance, Inner explosion-proof device. Usually the shape of capacitor is round or oval.

Application: Mainly to be in series or in parallel with fluorescent lamps and metal halide lamps.

Technical parameter:

Rate voltage: 250VAC—580VAC

Dissipation factor: $\tan\delta \leq 0.0025$ (100Hz)

Safety level: 10000AFC, S2

Withstanding voltage between terminal to terminal: 2Un/5s

Withstanding Voltage between terminal to case: 2000VAC or 2.4Un+1200VAC

Overload voltage: Be allowable to operate under 1.1 Un

Overload current: Be allowable to operate under 1.3 In

Discharging property: The remaining voltage is less than 50V after being switched off from $\sqrt{2} U_n$ voltage 60s.

Life Expectation: 30000h

Capacitance tolerance: ±5%、+10/-5%、±10%

Climate classification: 40/70/21, 40/85/21, 40/105/21.

Approval: UL, CUL, VDE, TUV, CQC.



拉伸防爆圆形单容量电容器-A/B级

TWO GROOVES EXTENSION CAPACITOR-CLASS A/B

- 执行标准: 《IEC 60252-1:2013》《GB/T 3667.1-2016》。
- 产品特点: 体积小, 损耗小, 内部温升低, 自愈性优异, 电容量稳定, 内置防爆装置, 使用安全可靠。
- 产品用途: 产品用途: 广泛用于冰箱、洗碗机、风机等电器设备的电机(压缩机)启动运行。
- 主要技术参数:

额定电压: 450VAC/475VAC	稳态过电压: 允许1.1Un下长期运行
容量偏差: ±5%、+10/-5%、±10%	稳态过电流: 允许1.3In下长期运行
损耗角正切值: $tg\delta \leq 0.0025$ (100Hz)	气候类别: 40/70/21 40/85/21
极间耐压: 2Un/5s	运行等级: A (30000h) B (10000h)
极壳耐压: 2000VAC or 2Un+1000VAC	安全防护等级: S2
产品认证: VDE、TUV	

Standard: 《IEC 60252-1:2013》《GB/T 3667.1-2016》。

Application: Mainly as motor run capacitor for refrigerator, dishwasher, fan ect.

Technical parameter:

Rate voltage: 450VAC/475VAC
 Overload voltage: Be allowable to operate under 1.1 Un
 Tolerance: ±5%、+10/-5%、±10%
 Overload current: Be allowable to operate under 1.3 In
 Dissipation factor: $tg\delta \leq 0.0025$ (100Hz)
 Operation Temperature: 40/70/21 40/85/21
 Class of operation: A(30000h) B(10000h)
 Safety Class: S2
 Withstanding voltage between terminal to case: 2000VAC or 2Un+1000VAC
 Withstanding voltage between terminal to terminal: 2Un/5s
 Approval: VDE、TUV



拉伸防爆圆形单容量电容器-C级

TWO GROOVES EXTENSION CAPACITOR-CLASS C

- 执行标准: 《IEC 60252-1:2013》《GB/T 3667.1-2016》。
- 产品特点: 体积小, 损耗小, 内部温升低, 自愈性优异, 电容量稳定, 内置防爆装置, 使用安全可靠。
- 产品用途: 产品用途: 广泛用于冰箱、洗碗机、风机等电器设备的电机(压缩机)启动运行。
- 主要技术参数:

额定电压: 400VAC-500VAC	稳态过电压: 允许1.1Un下长期运行
容量偏差: ±5%、+10/-5%、±10%	稳态过电流: 允许1.3In下长期运行
损耗角正切值: $tg\delta \leq 0.0025$ (100Hz)	气候类别: 40/70/21 40/85/21
极间耐压: 2Un/5s	运行等级: C (3000h)
极壳耐压: 2000VAC or 2Un+1000VAC	安全防护等级: S2
产品认证: VDE、TUV	

Standard: 《IEC 60252-1:2013》《GB/T 3667.1-2016》。

Application: Mainly as motor run capacitor for refrigerator, dishwasher, fan ect.

Technical parameter:

Rate voltage: 400VAC-500VAC
 Overload voltage: Be allowable to operate under 1.1 Un
 Tolerance: ±5%、+10/-5%、±10%
 Overload current: Be allowable to operate under 1.3 In
 Dissipation factor: $tg\delta \leq 0.0025$ (100Hz)
 Operation Temperature: 40/70/21 40/85/21
 Class of operation: C(3000h)
 Safety Class: S2
 Withstanding voltage between terminal to case: 2000VAC or 2Un+1000VAC
 Withstanding voltage between terminal to terminal: 2Un/5s
 Approval: VDE、TUV



拉伸防爆圆形单容量电容器 (A/B级)

Two Grooves Extension Capacitor(Class A/B) Specification Sheet

容量 μF	尺寸 Dim	电压 Voltage	
		450VAC-A/475VAC-B	
0.5		25	50
1		25	50
1.5		25	50
2		30	50
2.5		25	60
3		30	60
3.5		30	60
4		30	70
4.5		30	70
5		30	70
6		35	70
7		35	70
7.5		35	70
8		35	70

◆ 该产品取得VDE、CQC认证, 型号为CBB65。
 ◆ 400VAC、425VAC、450VAC取得TUV B级认证, 型号为CBB65。
 ◆ 特殊要求可根据用户要求协商制作。
 ◆ For this type of capacitor ,mode number relative to VDE、CQC certificate is CBB65。
 ◆ Under 400VAC、425VAC、450VAC have got TUV Class B certificate。
 ◆ Special request or dimension can be meet as well.

拉伸防爆圆形单容量电容器 (C级)

Two grooves extension capacitor (Class C) specification sheet

容量 μF	尺寸 Dim	电压 Voltage					
		400VAC-C		450VAC-C		500AC-C	
		D	H	D	H	D	H
0.5		25	45	25	45	25	45
1		25	45	25	45	25	45
1.5		25	45	25	50	25	50
2		25	50	25	50	25	50
2.5		25	50	25	50	25	50
3		25	50	30	50	30	50
3.5		25	50	30	50	30	50
4		30	50	30	50	30	50
4.5		30	50	30	60	30	60
5		30	50	30	60	30	60
6		30	60	30	60	30	60
7		30	60	35	60	35	60
7.5		30	60	35	60	35	60
8		30	60	35	60	35	60
9		35	60	35	70	35	70
10		35	60	35	70	35	70
12		35	60	40	60	40	60
12.5		40	60	40	70	40	70
14		40	60	40	70	40	70
15		40	60	40	70	40	70
16		40	60	40	80	40	80
17.5		40	70	40	80	40	80
18		40	70	40	80	40	80
20		40	70	40	90	40	90

◆ 该产品取得VDE、CQC认证, 型号为CBB65。
 ◆ 425VAC、450VAC、475VAC取得TUV认证, 型号为CBB65。
 ◆ 特殊要求可根据用户要求协商制作。
 ◆ For this type of capacitor ,mode number relative to VDE、CQC certificate is CBB65。
 ◆ Under 400VAC、425VAC、450VAC、475VAC have got TUV certificate。
 ◆ Special request or dimension can be meet as well.