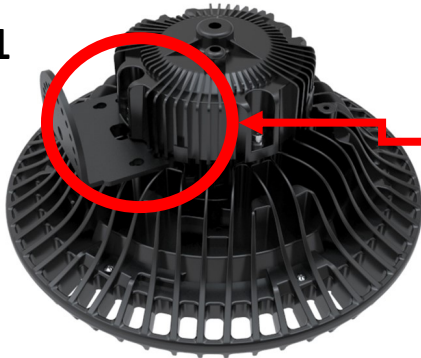




## 100 Watt Bracket assembly instructions

1

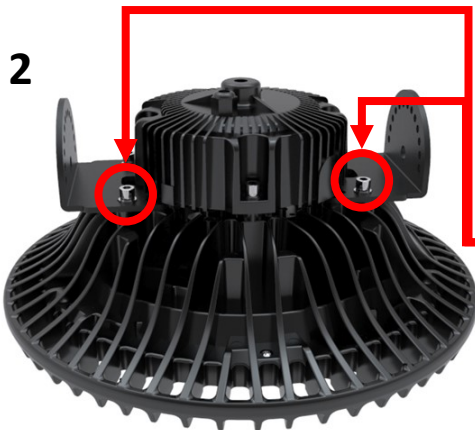


1. CR.15BS000002

**Pinboard of ceiling bracket**

HBL100W/150W/200W-02-TA/TC pinboard of ceiling bracket iron matt in black 98\*69\*63 thickness 4mm

2



2. GA.03NW000006

**Lockwasher (Spring gasket, M5)**

external diameter: 7.7mm, inner diameter: 5mm, thickness: 1.3mm, SUS304, with M5 screw, spring gasket

3. GA.13NW000005

**Flat mat (Flat gasket, M5)**

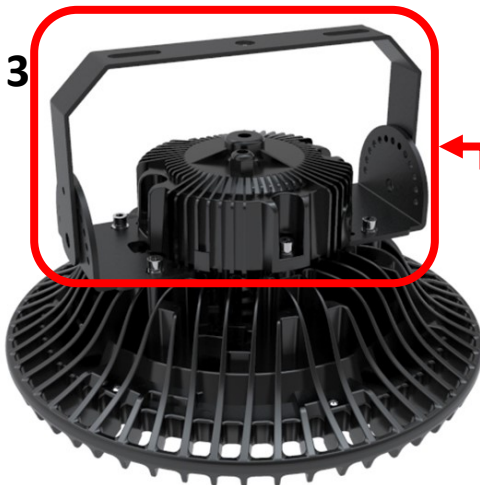
external diameter: 9.8mm, inner diameter: 5.3mm, thickness 1.0mm, SUS304, with M5 screw, flat gasket

4. SC.2M05025100000001

**screw (Screw M5\*25 hex socket)**

M5\*25, SUS304, hex socket set screws

3



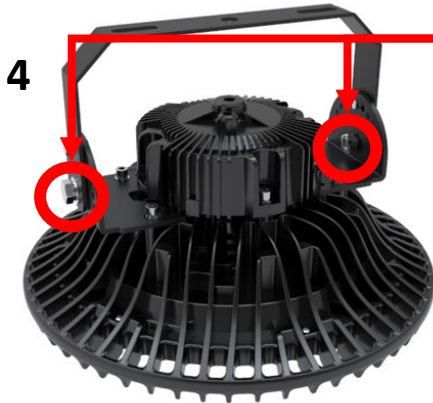
5. SU.501BSHB000001

**100W bracket**

HBL100W-02-TA/TB/TC/TD 216\*123\*35\*3mm Iron, matt black



## 100 Watt Bracket assembly instructions



6. GA.03NW000005

**Lockwasher (Spring gasket, M10)**

external diameter: 15.6mm, inner diameter: 10.2mm, thickness: 2.6mm, SUS304, with M10 screw, spring gasket

7. GA.13NW000006

**Flat gasket/washers (Flat gasket, M10)**

external diameter: 19.6mm, inner diameter: 10.5mm, thickness: 2.0mm, SUS304, with M10 screw, flat gasket

8. SC.3M10025400000001

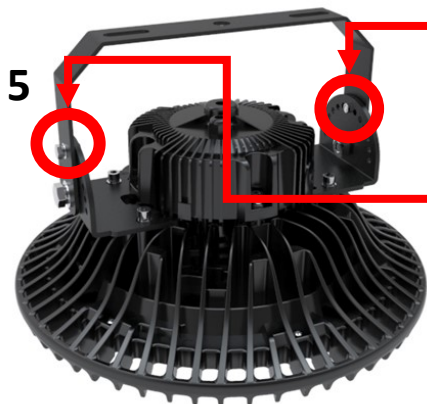
**Screw M10\*25 hex screw**

M10\*25, SUS304, outer-hexagonal /hex screw

9. SC.7M10000100000001

**Nut (Nut M10)**

M10\*P1.5\*T=8mm hex nut SUS304



9. SC.3M04014400000001

**screw (Screw M5\*14 hex screw)**

M5\*14, SUS304, outer-hexagonal /hex screw

10. SC.7M05000100000001

**Nut (Nut M5)**

M5\*P0.8\*T4mm hex nut SUS304 Hexagon on edge is 8mm head thickness 4mm



11. GA.03NW000005

**Lockwasher (Spring gasket, M10)**

external diameter: 15.6mm, inner diameter: 10.2mm, thickness: 2.6mm, SUS304, with M10 screw, spring gasket

12. GA.13NW000006

**Flat gasket/washers (Flat gasket, M10)**

external diameter: 19.6mm, inner diameter: 10.5mm, thickness: 2.0mm, SUS304, with M10 screw, flat gasket

13. SC.7M10000100000001

**Nut (Nut M10)**

M10\*P1.5\*T=8mm hex nut SUS304