

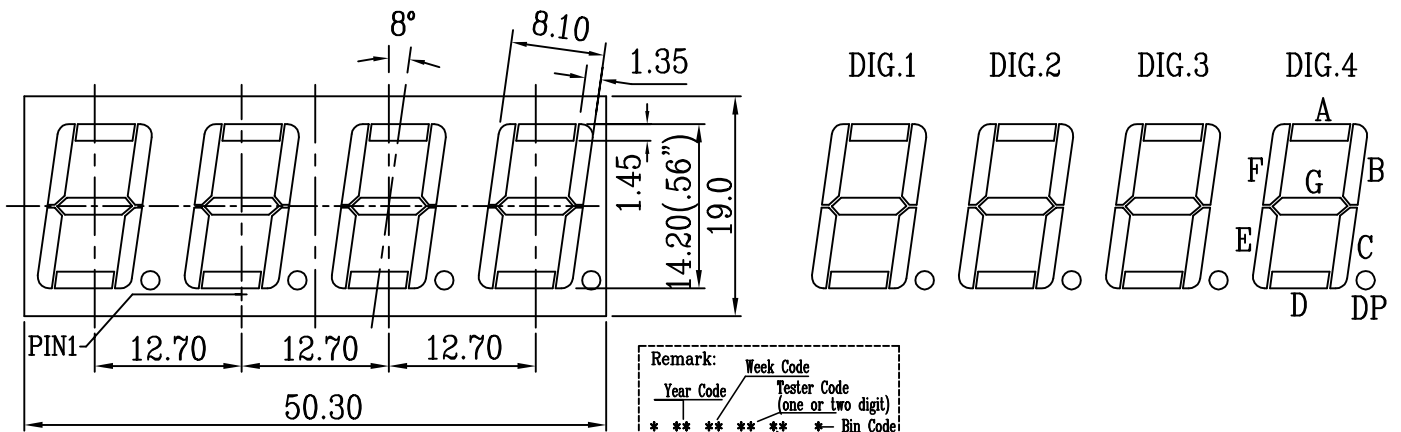


TAIWAN OASIS LED DATA SHEET

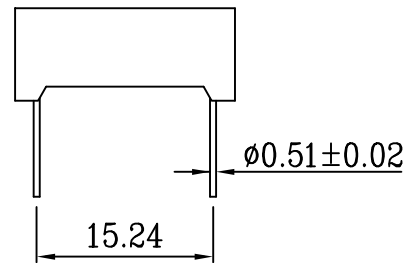
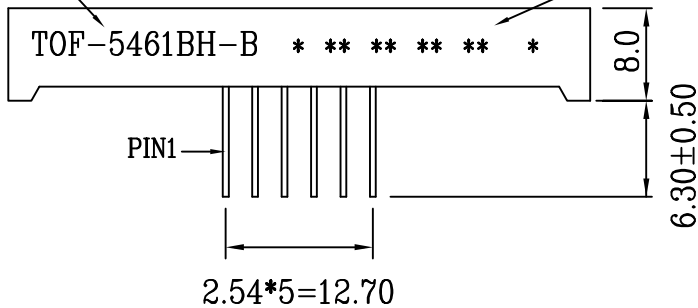
PART NO. : TOF-5461BH-B

| | | | | |
|------------|---------|-------------|--------------|-------------|
| APPEARANCE | | | TECHNOLOGY | GaAlAs/GaAs |
| FACE | SEGMENT | PIN | SOURCE COLOR | Hi-red |
| | | | DRIVER MODE | Com. Anode |
| Black | White | ∅0.51x10.28 | PACKING | Plastic box |

PACKAGE DIMENSIONS

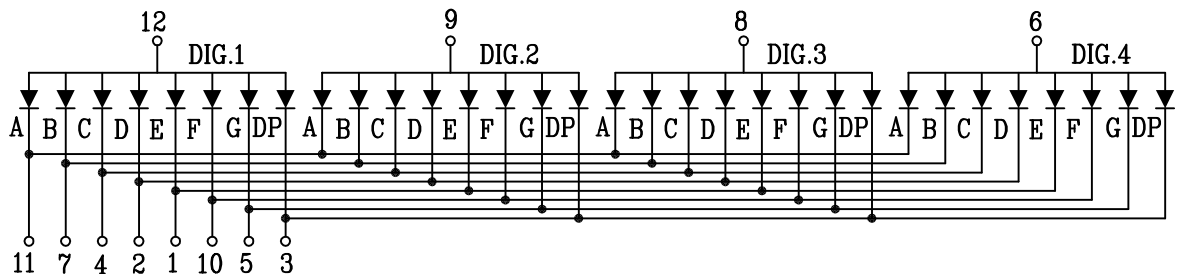


MODEL NO.



NORMAL TOLERANCE: ±0.25 ANGLE: ±1°

INTERNAL CIRCUIT DIAGRAM



| | | | | | | | | | |
|------|-----------|-----------|-------|-------------|--------------|----------|-------------|----------|--|
| DATE | 09/08/06' | SCALE | 1.5:1 | DRAWING NO. | S-5461BH-B-A | DRAWN | Q.C.F/L.D.Y | CHECKED | |
| UNIT | M/M | SHEET NO. | 1/2 | | | CUSTOMER | | APPROVED | |



TAIWAN OASIS LED DATA SHEET

PART NO. : TOF-5461BH-B

ABSOLUTE MAXIMUM RATINGS AT TA=25°C

| PARAMETER | VALUE | UNITS |
|--|------------------|-------|
| Power Dissipation Per Segment | 75 | mW |
| Peak Forward Current Per Segment (1/10 Duty Cycle, 0.1ms Pulse Width) | 80 | mA |
| Continuous Forward Current Per Segment | 20 | mA |
| Recommend Operating Current | 12 | mA |
| Reverse Voltage Per Segment | 5 | V |
| Operating Temperature Range | -25 to +85 | °C |
| Storage Temperature Range | -30 to +85 | °C |
| Junction Temperature | +85 | °C |
| Storage Time at 25±2°C or 65%RH±5%RH | 6 | Month |
| Lead Solder Temperature(1/16 Inch Below Seating Plane) | 260°C for 3 sec. | |

ELECTRICAL/OPTICAL CHARACTERISTICS AT TA=25°C

| PARAMETER | SYMBOL | MIN. | TYP. | MAX. | UNITS | TEST CONDITION | GRADE |
|----------------------------------|-------------------|-------|-------|-------|-------|----------------------|-------|
| Luminous Intensity Per Segment | I _v | 6145 | 7066 | 7987 | ucd | I _F =10mA | M |
| Luminous Intensity Per Segment | I _v | 7988 | 9185 | 10383 | ucd | I _F =10mA | N |
| Luminous Intensity Per Segment | I _v | 10384 | 11941 | 13499 | ucd | I _F =10mA | P |
| Peak Emission Wavelength | λ _p | | 660 | | nm | I _F =20mA | |
| Spectral Line Half-Width | Δλ | | 20 | | nm | I _F =20mA | |
| Forward Voltage Per Segment | V _F | 1.7 | 1.8 | 2.0 | V | I _F =20mA | |
| Reverse Current Per Segment | I _R | | | 20 | μA | V _R =5V | |
| Luminous Intensity Matching Rate | I _v -m | | | 1.5:1 | | I _F =20mA | |

| | | | | | | | | | |
|------|-----------|-----------|-----|-------------|--------------|----------|-------------|----------|--|
| DATE | 09/08/06' | SCALE | — | DRAWING NO. | S-5461BH-B-A | DRAWN | Q.C.F/L.D.Y | CHECKED | |
| UNIT | — | SHEET NO. | 2/2 | | | CUSTOMER | | APPROVED | |