

BOLYMIN

**SPECIFICATIONS FOR
LCD MODULE**

MODEL NO.
BL12864GEPNH\$
VER.01

ROHS
COMPLIANT

FOR MESSRS:

ON DATE OF:

APPROVED BY:

BOLYMIN, INC.
13F-1, 20, TA-LONG RD., TAICHUNG CITY 403, TAIWAN, R.O.C.
WEB SITE:<http://www.bolymin.com.tw> TEL:+886-4-23293029 FAX:+886-4-23293055

CONTENTS

1. Numbering System
2. General Specification
3. Absolute Maximum Ratings
4. Electrical Characteristics
5. Optical Characteristics
6. Interface Pin Function
7. Timing Characteristics
8. Display Control Instruction
9. Appendix

1. Numbering System

<u>B</u>	<u>L</u>	<u>12864</u>	<u>G</u>	<u>E</u>	<u>P</u>	<u>N</u>	<u>:</u>	<u>H</u>	<u>\$</u>
0	1	2	3	4	5	6	7	8	9

0	Brand	Bolymin	
1	Module Type	C= character type G= graphic type P= TAB/TCP type	O= COG type F= COF type L=PLED/OLED
2	Format	2002=20 characters, 2 lines 12232= 122 x 32 dots	
3	Version No.	A type	
4	LCD Color	G=STN/gray Y=STN/yellow-green PLED/yellow-green C=color STN,OLED/RGB E=OLED/yellow	B=STN/blue,OLED/blue F=FSTN T=TN D=OLED/blue+yellow A=OLED/blue+yellow+green
5	LCD Type	R=positive/reflective P=positive/transflective	M=positive/transmissive N=negative/transmissive
6	Backlight type/color	L=LED array/ yellow-green H=LED edge/white R=LED array/red G=LED edge/yellow-green F=RGB array I=RGB edge Q=LED edge/red N=No backlight	D=LED edge/blue E=EL/white B=EL/blue C=CCFL/white Y=LED Bottom/yellow O=LED array/orange K=LED edge/green A=LED edge/amber
7	CGRAM Font (applied only on character type)	J=English/Japanese Font E=English/European Font G=Chinese(simple) F=Chinese(traditional)	C=English/Cyrillic Font H=English/Hebrew Font A=English/Arabic Font
8	View Angle/ Operating Temperature	B=Bottom/Normal Temperature H=Bottom/Wide Temperature U=Bottom/Ultra wide Temperature	T=Top/Normal Temperature W=Top/Wide Temperature C=9H/Normal Temperature E=Top/ultra wide temperature
9	Special Code	3=3 volt logic power supply n=negative voltage for LCD c=cable/connector xxx=to be assigned on datasheet	t=temperature compensation for LCD p=touch panel \$=RoHS

2. General Specification

(1) Mechanical Dimension

Item	Standard Value	Unit
Number of dots	128×64	dots
Module dimension (L*W*H)	76.65*52.7*8.5(MAX)	mm
View area	60.0*32.5	mm
Active area	55.01*27.49	mm
Dot size	0.40(W)×0.40(H)	mm
Dot pitch	0.43(W)×0.43 (H)	mm

(2) Controller IC: SSD1303 Controller

(3) Temperature Range

Operating	-40 ~ +85°C
Storage	-40 ~ +85°C

3. Absolute Maximum Ratings

Item	Symbol	Min	Typ	Max	Unit
Operating Temperature	TOP	-40	—	+85	°C
Storage Temperature	TST	-40	—	+85	°C
Input Voltage	VI	—	—	VDD	V
Operating lift time			66000(*)		Hrs

*:60cd/m² light on

4. Electrical Characteristics

Item	Symbol	Condition	Min.	Typ.	Max.	Unit
Supply Voltage For Logic	V _{DD} -V _{SS}	—	2.4	2.5	3.5	V
Input High Vol	V _{IH}	—	0.7V _{DD}	—	V _{DD}	V
Input Low Vol	V _{IL}	—	0	—	0.3V _{DD}	V
Output High Vol	V _{OH}	—	2.4	—	—	V
Output Low Vol.	V _{OL}	—	—	—	0.4	V
Supply Current	I _{DD}	—	—	120.0	—	mA

5. Optical Characteristics

Item	Symbol	Condition	Min.	Typ.	Max.	Unit
View Angle	(V) θ	CR \geq 20	85		85	deg
	(H) φ	CR \geq 20	85		85	deg
Contrast Ratio	CR	—		100		—
Response Time 25°C	T rise	—		40		ms
	T fall	—		40		ms

6. Interface Pin Function

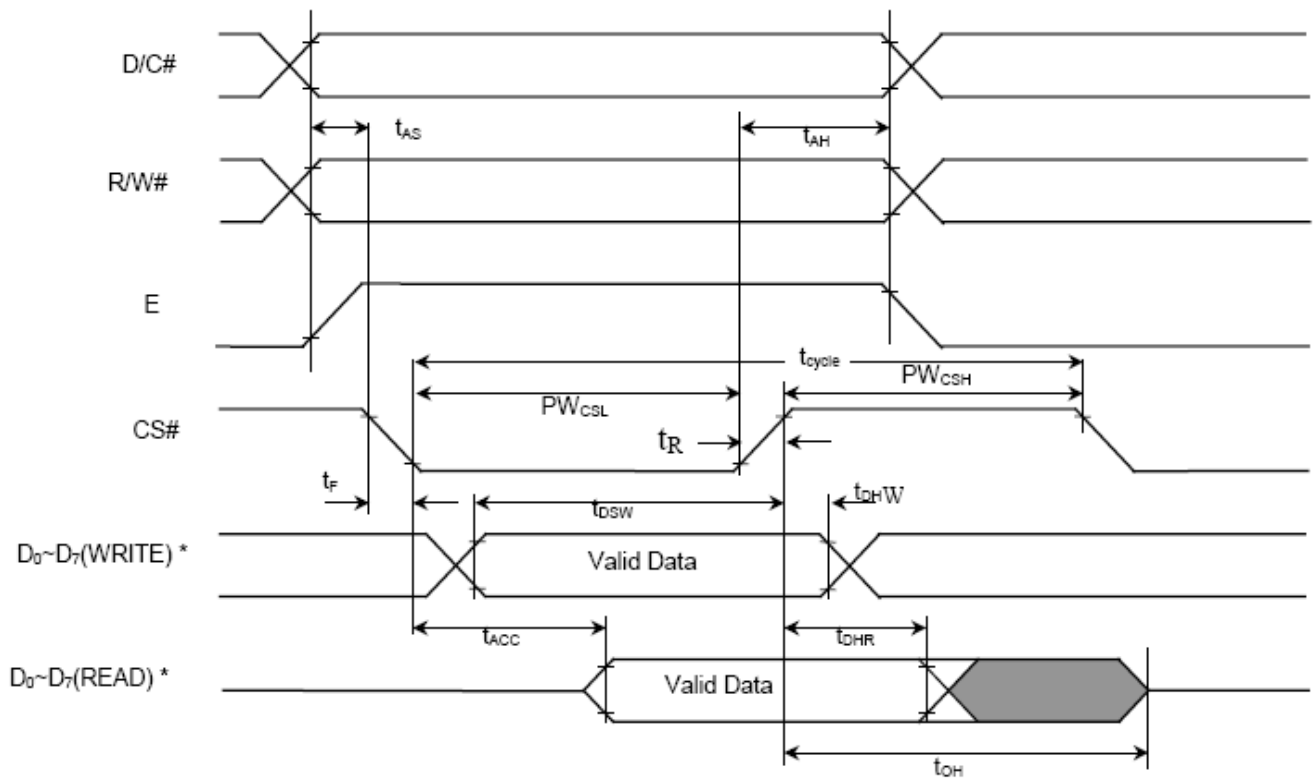
Pin No.	Symbol	Level	Description
1	Vdd	3.3V	Supply voltage for logic
2	Vss	0V	Ground
3	NC	—	No connection
4	DB0	H/L	Data bus line
5	DB1	H/L	Data bus line
6	DB2	H/L	Data bus line
7	DB3	H/L	Data bus line
8	DB4	H/L	Data bus line
9	DB5	H/L	Data bus line
10	DB6	H/L	Data bus line
11	DB7	H/L	Data bus line
12	CS	H/L	Chip select pin
13	NC	—	No connection
14	/RES	H/L	Hardware Reset pin
15	WR	H/L	8080: data write enable pin 6800: Read/Write select pin
16	RS	H/L	H: Data; L: Command.
17	RD	H/L	8080: data read enable pin 6800: Read/Write enable pin
18	NC	—	No connection
19	DISP	L	L:LCM display off
20	NC	—	No connection

※80 Series Interface is Default
 (6800 series MPU interface is option)
 (SPI interface is option)

7. Timing Characteristics

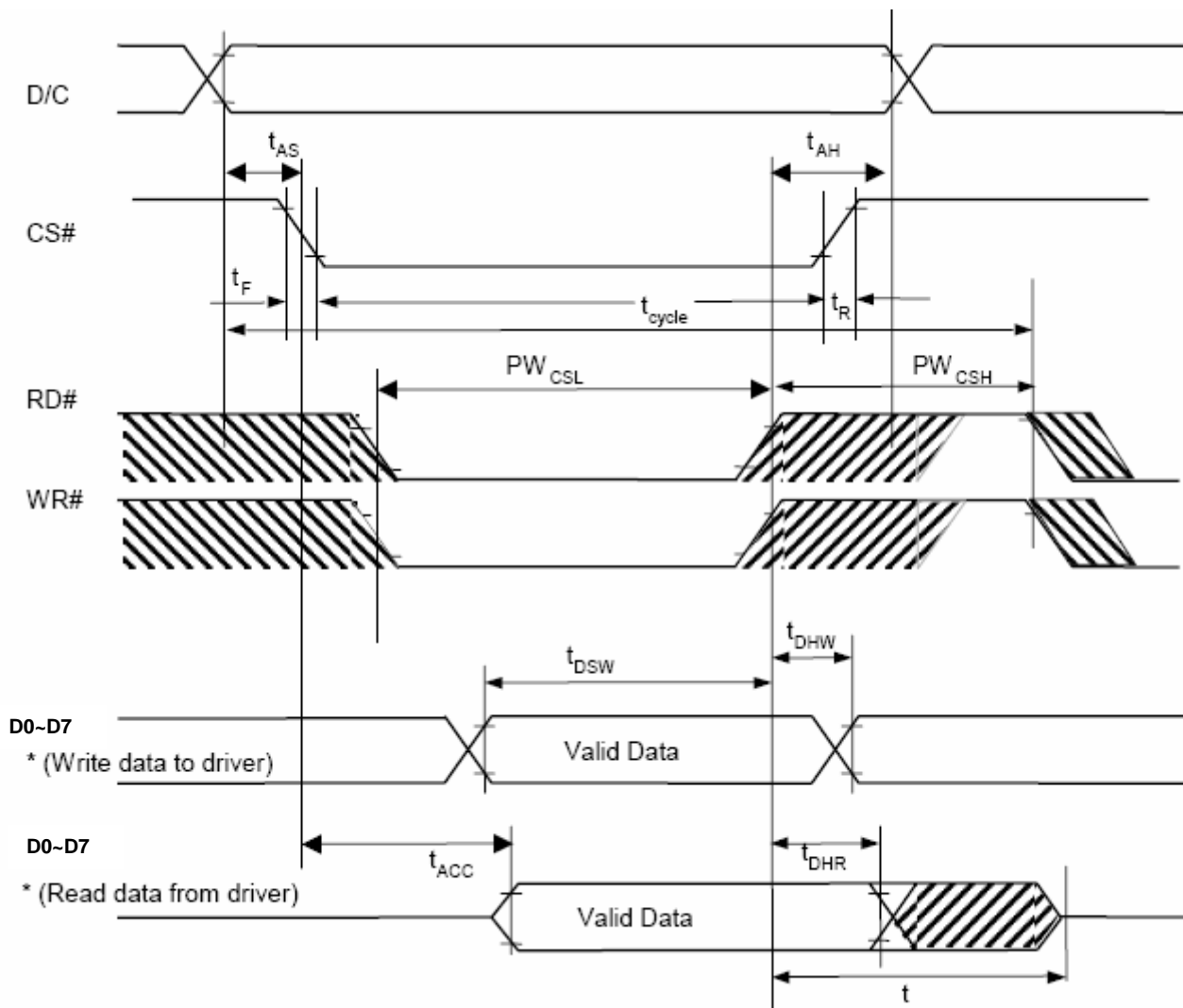
7-1.6800 MPU Interfac

Symbol	Parameter	Min	Typ	Max	Unit
t_{cycle}	Clock Cycle Time	300	-	-	ns
t_{AS}	Address Setup Time	0	-	-	ns
t_{AH}	Address Hold Time	0	-	-	ns
t_{DSW}	Write Data Setup Time	40	-	-	ns
t_{DHW}	Write Data Hold Time	15	-	-	ns
t_{DHR}	Read Data Hold Time	20	-	-	ns
t_{OH}	Output Disable Time	-	-	70	ns
t_{ACC}	Access Time	-	-	140	ns
PWCSL	Chip Select Low Pulse Width (read) Chip Select Low Pulse Width (write)	120 60	-	-	ns
PWCSH	Chip Select High Pulse Width (read) Chip Select High Pulse Width (write)	60 60	-	-	ns
t_R	Rise Time	-	-	15	ns
t_F	Fall Time	-	-	15	ns



7-2.8080 MPU Interface

Symbol	Parameter	Min	Typ	Max	Unit
t_{cycle}	Clock Cycle Time	300	–	–	ns
t_{AS}	Address Setup Time	0	–	–	ns
t_{AH}	Address Hold Time	0	–	–	ns
t_{DSW}	Write Data Setup Time	40	–	–	ns
t_{DHW}	Write Data Hold Time	15	–	–	ns
t_{DHR}	Read Data Hold Time	20	–	–	ns
t_{OH}	Output Disable Time	–	–	70	ns
t_{ACC}	Access Time	–	–	140	ns
PWCSL	Chip Select Low Pulse Width (read) Chip Select Low Pulse Width (write)	120 60	–	–	ns
PWCSH	Chip Select High Pulse Width (read) Chip Select High Pulse Width (write)	60 60	–	–	ns
t_R	Rise Time	–	–	15	ns
t_F	Fall Time	–	–	15	ns



8. Display Control Instruction

(D/C = 0, R/W (WR) = 0, E(RD) = 1) unless specific setting is stated

Single byte command (D/C = 0), Multiple byte command (D/C = 0 for first byte, D/C = 1 for other bytes)

D/C	Hex	D7	D6	D5	D4	D3	D2	D1	D0	Command	Description
0	00~0F	0	0	0	0	X3	X2	X1	X0	Set Lower Column Address **	Set the lower nibble of the column address register using X3X2X1X0 as data bits. The initial display line register is reset to 0000b after POR.
0	10~1F	0	0	0	1	X3	X2	X1	X0	Set Higher Column Address **	Set the higher nibble of the column address register using X3X2X1X0 as data bits. The initial display line register is reset to 0000b after POR.
0	26	0	0	1	0	0	1	1	0	Horizontal scroll setup	A[2:0] Set the number of column scroll per step Valid value: 001b, 010b, 011b, 100b B[2:0] Define start page address C[1:0] Set time interval between each scroll step in terms of frame frequency 00b – 12 frame 01b – 64 frames 10b – 128 frames 11b – 256 frames D[2:0] Define end page address Set the value of D[2:0] larger or equal to B[2:0]
0	A[2:0]	*	*	*	*	*	A2	A1	A0		
0	B[2:0]	*	*	*	*	*	B2	B1	B0		
0	C[1:0]	*	*	*	*	*	*	C1	C0		
0	D[2:0]	*	*	*	*	*	D2	D1	D0		
0	2F	0	0	1	0	1	1	1	1	Activate horizontal scroll	Start horizontal scrolling
0	2E	0	0	1	0	1	1	1	0	Deactivate horizontal scroll	Stop horizontal scrolling
0	40-7F	0	1	X5	X4	X3	X2	X1	X0	Set Display Start Line	Set display TAM display start line register from 0-63 using X5X3X2X1X0. Display start line register is reset to 000000 during POR
0 0	81 A[7:0]	1 A7	0 A6	0 A5	0 A4	0 A3	0 A2	0 A1	1 A0	Set Contrast Control Register **	Double byte command to select 1 out of 256 contrast steps. Contrast increases as the value increases. (POR = 80h)
0	82	1	0	0	0	0	0	1	0	Brightness for color banks	Double byte command to select 1 out of 256 brightness steps. Brightness increases as the value increases. (POR = 80h)
A[7:0]	A7	A6	A5	A4	A3	A2	A1	A0			
0	91	1	0	0	1	0	0	0	1	Set Look Up Table (LUT) for area colour	Set current drive pulse width of Bank 0, Colour A, B and C. Bank 0: X[5:0] = 0... 63; for pulse width set to 1 ~ 64 clocks (POR = 110001b) Colour A: A[5:0] same as above (POR = 111111b) Colour B: B[5:0] same as above (POR = 111111b) Colour C: C[5:0] same as above (POR = 111111b) Note: colour D pulse width is fixed at 64 clocks pulse .
0	X[5:0]	*	*	X5	X4	X3	X2	X1	X0		
0	A[5:0]	*	*	A5	A4	A3	A2	A1	A0		
0	B[5:0]	*	*	B5	B4	B3	B2	B1	B0		
0	C[5:0]	*	*	C5	C4	C3	C2	C1	C0		

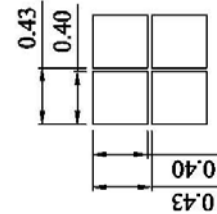
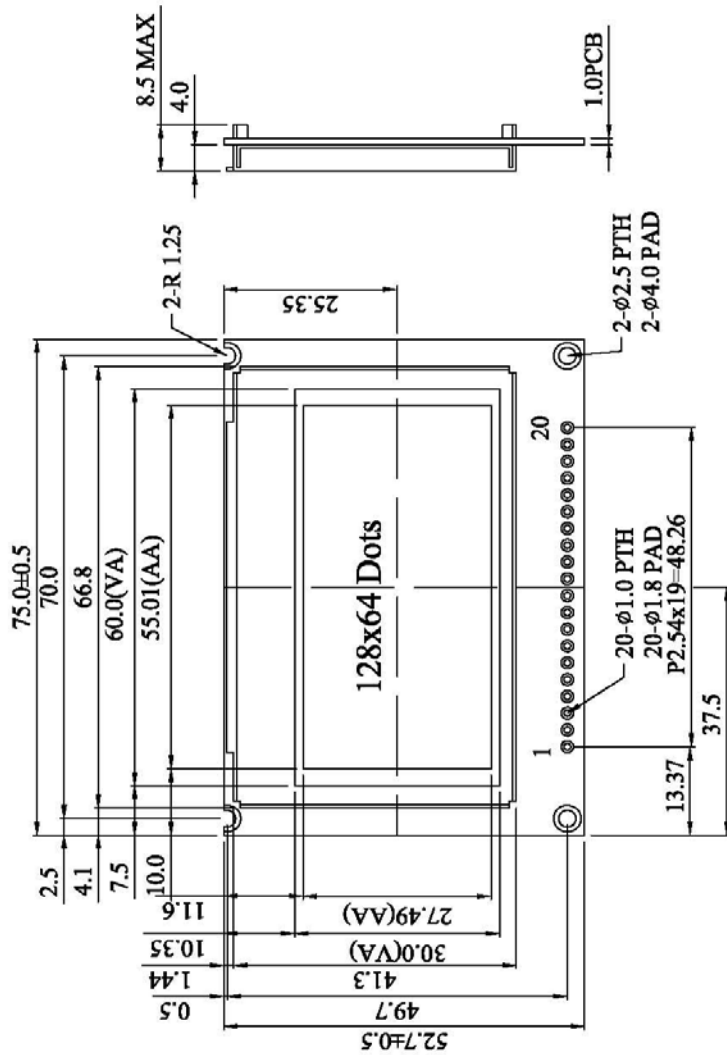
D/C	Hex	D7	D6	D5	D4	D3	D2	D1	D0	Command	Description
0	92	1	0	0	1	0	0	1	0	Set bank colour of for bank 1-16 (Page 0)	A[1:0] : 00, 01, 10, or 11 for Colour = A, B, C or D of bank 1
0	A[7:0]	A7	A6	A5	A4	A3	A2	A1	A0		A[3:2] : 00, 01, 10, or 11 for Colour = A, B, C or D of bank 2
0	B[7:0]	B7	B6	B5	B4	B3	B2	B1	B0		:
0	C[7:0]	C7	C6	C5	C4	C3	C2	C1	C0		:
0	D[7:0]	D7	D6	D5	D4	D3	D2	D1	D0		D[7:6] : 00, 01, 10, or 11 for Colour = A, B, C or D of bank 16
0	93	1	0	0	1	0	0	1	1	Set bank colour of for bank 17-32 (Page 1)	A[1:0] : 00, 01, 10, or 11 for Colour = A, B, C or D of bank 17
0	A[7:0]	A7	A6	A5	A4	A3	A2	A1	A0		A[3:2] : 00, 01, 10, or 11 for Colour = A, B, C or D of bank 18
0	B[7:0]	B7	B6	B5	B4	B3	B2	B1	B0		:
0	C[7:0]	C7	C6	C5	C4	C3	C2	C1	C0		:
0	D[7:0]	D7	D6	D5	D4	D3	D2	D1	D0		D[7:6] : 00, 01, 10, or 11 for Colour = A, B, C or D of bank 32
0	A0~A1	1	0	1	0	0	0	0	X0	Set Segment Re-map **	X0=0: column address 0 is mapped to SEG0 (POR) X0=1: column address 131 is mapped to SEG0
0	A4~A5	1	0	1	0	0	1	0	X0	Set Entire Display ON/OFF **	X0=0: normal display (POR) X0=1: entire display ON
0	A6~A7	1	0	1	0	0	1	1	X0	Set Normal/Inverse Display **	X0=0: normal display (POR) X0=1: inverse display
00	A8 A[5:0]	1 *	0 *	1	0	1	0	0	0	Set Multiplex Ratio **	The next command, A[5:0] determines multiplex ratio N from 16MUX-64MUX, POR= 64MUX
0	AA	1	0	1	0	1	0	1	0	NOP	Reserved, do not use
0	AB	1	0	1	0	1	0	1	1	NOP	Reserved, do not use
00	AD	1 1	0 0	1 0	0 0	1 1	1 0	0 1	1 X0	Set DC-DC on/off	X0 : 1 DC-DC will be turned on when (POR) display on 0 DC-DC is disable
0	AE~AF	1	0	1	0	1	1	1	X0	Set Display ON/OFF **	X0=0: turns OFF OLED panel (POR) X0=1: turns ON OLED panel
0	B0~BF	1	0	1	1	X3	X2	X1	X0	Set Page Address **	Set GDDRAM Page Address (0~7) for read/write using X3X2X1X0
0	C0/C8	1	1	0	0	X3	*	*	*	Set COM Output Scan Direction **	X3=0: normal mode (POR) Scan from COM 0 to COM [N-1] X3=1: remapped mode. Scan from COM [N-1] to COM0 Where N is the Multiplex ratio.
0	D0-D1	1	1	0	1	0	0	0	X0	Reserved	Reserved, do not use

D/C	Hex	D7	D6	D5	D4	D3	D2	D1	D0	Command	Description
0 0	D3 A[5:0]	1 *	1 *	0 A5	1 A4	0 A3	0 A2	1 A1	1 A0	Set Display Offset **	Set vertical scroll by COM from 0-63. The value is reset to 00H after POR.
0 0	D5 A[7:0]	1 A7	1 A6	0 A5	1 A4	0 A3	1 A2	0 A1	1 A0	Set Display Clock Divide Ratio/Oscillator Frequency	A[3:0] Define the divide ratio of the display clocks (DCLK): Divide ratio= A[3:0] + 1, POR is 0000b (divide ratio = 1) A[7:4] Set the Oscillator Frequency. Oscillator Frequency increases with the value of A[7:4] and vice versa. POR is 0111b
0 0	D8	1 0	1 0	0 X5	1 X4	1 0	0 X2	0 0	0 X0	Set area colour mode on/off & low power display mode	X5X4= 00 (POR) : mono mode X5X4= 11 Area Colour enable X2=0 and X0=0: Normal (POR) power mode X2=1 and X0=1: Set low power save mode
0 0	D9 A[7:0]	1 A7	1 A6	0 A5	1 A4	1 A3	0 A2	0 A1	1 A0	Set Pre-charge period**	A[3:0] Phase 1 period of up to 15 dclk clocks [POR=2h]; 0 is invalid entry A[7:4] Phase 2 period of up to 15 dclk clocks [POR=2h]; 0 is invalid entry
0 0	DA	1 0	1 0	0 0	1 X4	1 0	0 0	1 1	0 0	Set COM pins hardware configuration	X4=0, Sequential COM pin configuration (i.e. COM31, 30, 29....0 ; SEG0-132; COM31,32....62,63) X4=1(POR), Alternative COM pin configuration (i.e. COM62,60,58,...2,0; SEG0-132; COM1,3,5...61,63)
0 0	DB A[6:0]	1 *	1 A6	0 A5	1 A4	1 A3	0 A2	1 A1	1 A0	Set VCOM Deselect Level	A[6:0] 0000000 low VCOM deselect level (~0.43 Vref) 0110101 normal VCOM deselect level (~0.77*Vref (POR)) 1111111 high VCOM deselect level (equal Vref)
0	E2	1	1	1	0	0	0	1	0	Reserved	Reserved
0	E3	1	1	1	0	0	0	1	1	NOP **	Command for No Operation
0	F*	1	1	1	1	*	*	*	*	Reserved	Reserved, do not use

Note: Remark "*" stands for "Don't Care"

9. Appendix (Drawing)

PTN	Symbol
1	VDD
2	VSS
3	NC
4	DB0
5	DB1
6	DB2
7	DB3
8	DB4
9	DB5
10	DB6
11	DB7
12	CS
13	NC
14	/RES
15	R/W
16	D/C
17	E
18	NC
19	DISP
20	NC



DETAIL DOT
SCALE 20:1

The non-specified tolerance of dimension is ± 0.2 mm .

SCALE:	1/1	REV:	0	寶麗明有限公司 BOLYMIN,INC.	
UNIT:	mm	PAGE:	1/1	MODEL	BL12864G
APPROVE		CHECK		TITLE	LCM DRAWING
DRAW	Steven	DWG NO.	12/01/06		