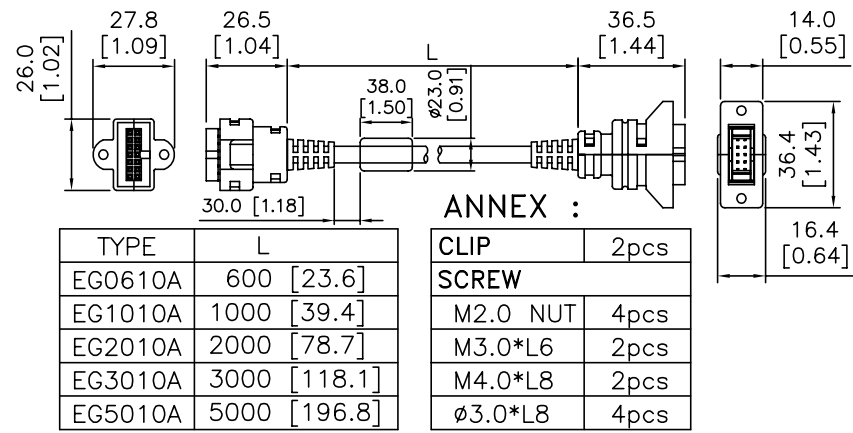
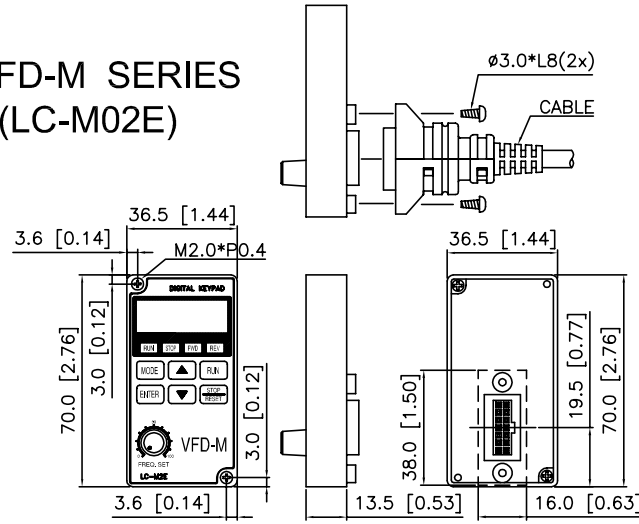


2.VFD-A / B / F / H / M / P SERIES

延長線組 EXTENSION CABLE



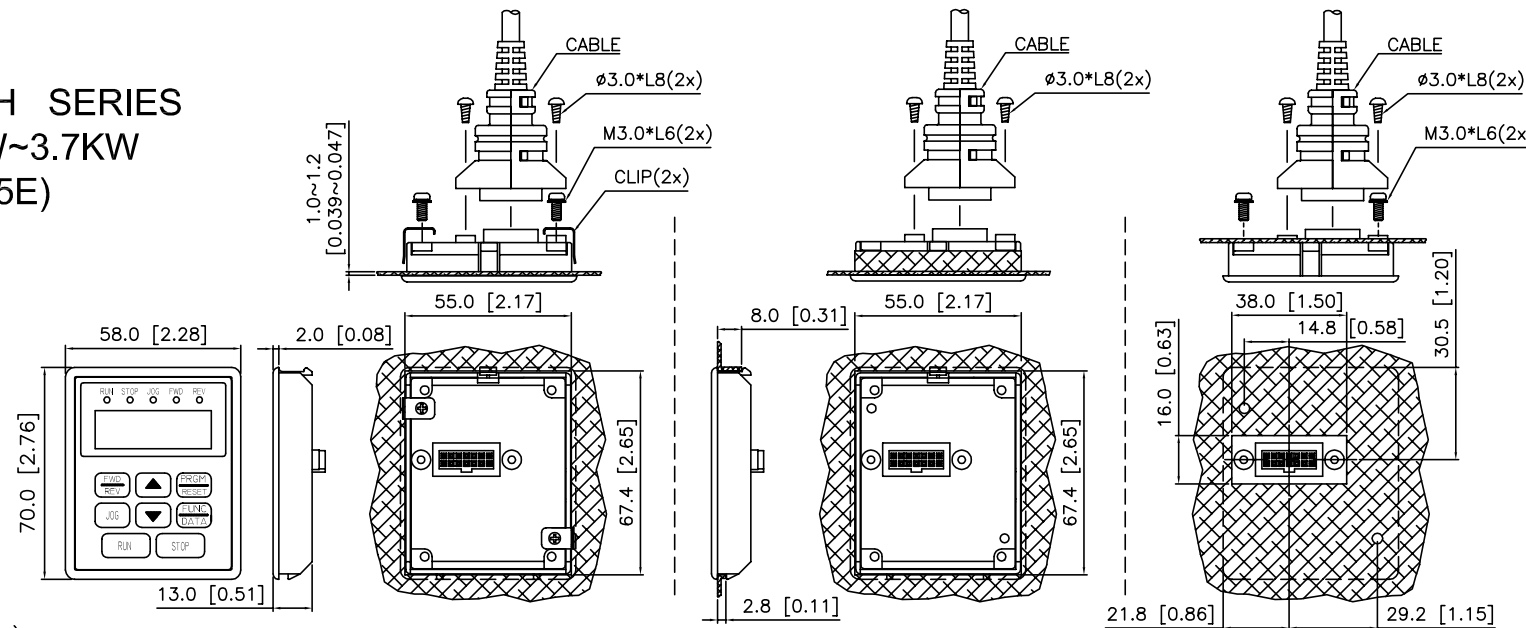
*. VFD-M SERIES (LC-M02E)



VFD-A / B / F / H / L / M / P / S SERIES
數位操作器延長線組及組立圖
KEYPAD EXTENSION CABLE & ASSEMBLY FIGURE

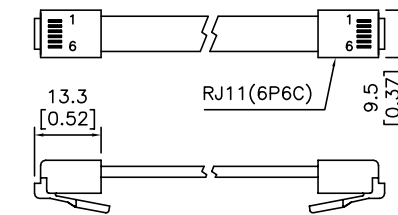
- (1). 夾片嵌入式 CLIPPED TYPE
(2). 折邊嵌入式 FOLDING INSERTED TYPE
(3). 壁掛式 HANGED TYPE

*. VFD-A / H SERIES
0.75KW~3.7KW
(LC-A05E)



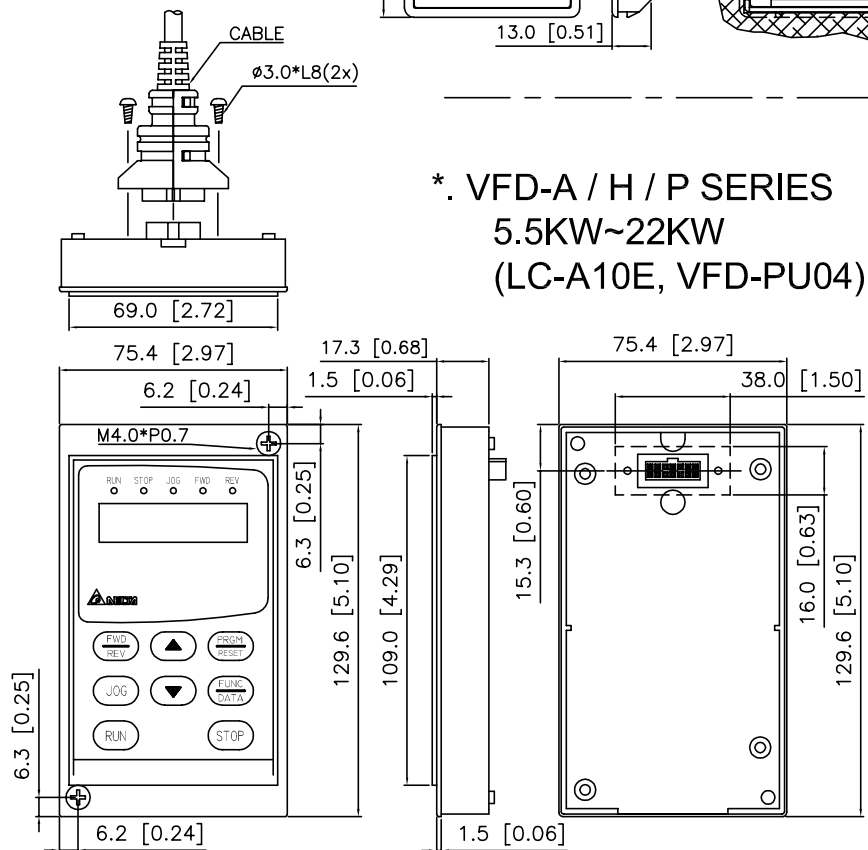
UNIT : mm [inch]

1.VFD-B / F / H / L / M / P / S SERIES
VFD-PU02X
延長線組 EXTENSION CABLE

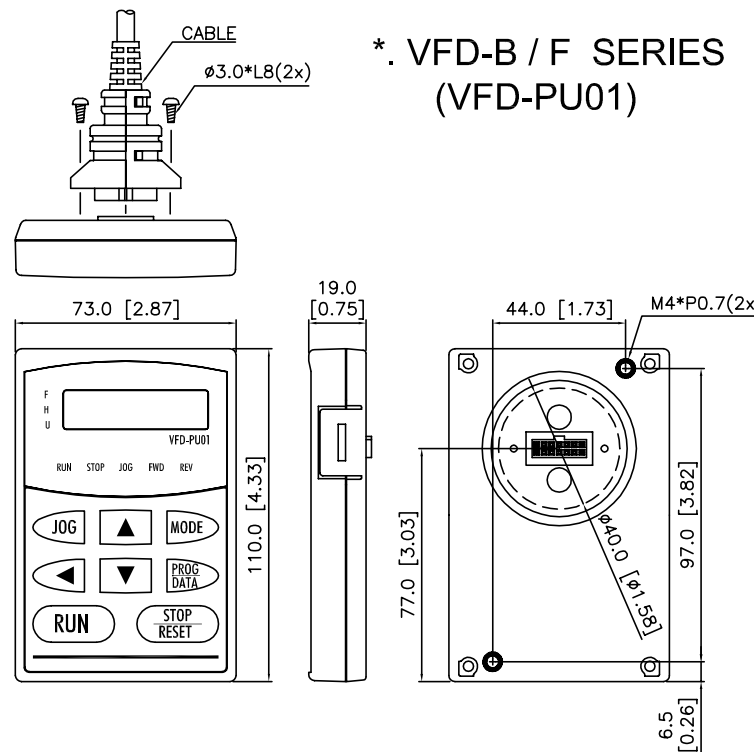


TYPE	L
RJ-01	1000 [39.37]
RJ-02	2000 [78.74]
RJ-03	3000 [118.11]
RJ-04	4000 [157.48]
RJ-05	5000 [196.85]

*. VFD-A / H / P SERIES
5.5KW~22KW
(LC-A10E, VFD-PU04)



*. VFD-B / F SERIES
(VFD-PU01)



*. VFD-PU02X

