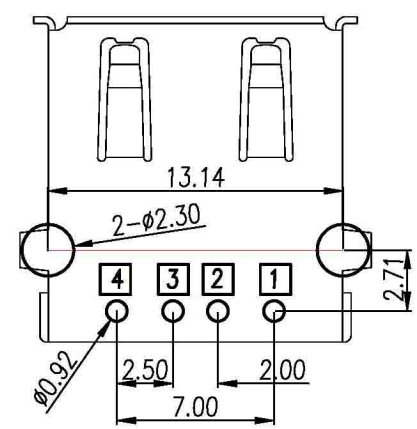
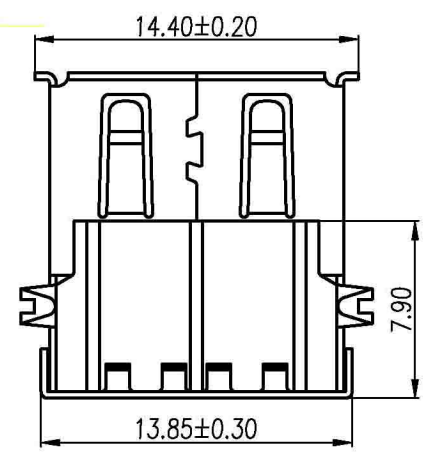
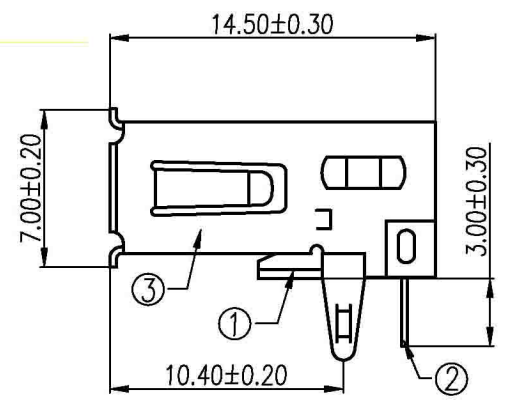
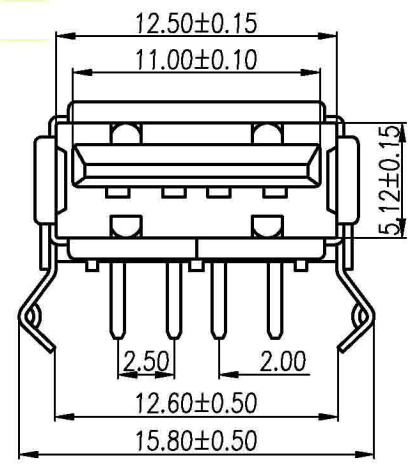


RoHS COMPLIANT

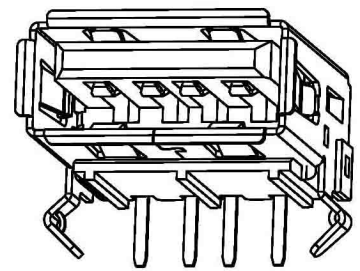
REV	ECN NO.	DESCRIPTION	DATE
A		RELEASE	MAR. 25'14

Specification:

1. Rated voltage and current: 1A at 250V AC minimum.
2. Dielectric withstanding voltage: 500V AC/1 minute without breakdown.
3. Contact resistance: Before life test 30m ohm max, After life test 50m ohm max.
4. Insulation resistance: 1000M ohm min.
5. Insertion force: 35 Newtons maximum.
6. Extraction force: 10 Newtons minimum.
7. Solderability: Terminal shall be immersed in flux before text, Then dip in molten solder for 5±0.5 sec. At 245±5°C.
8. Temperature range: -55°C~+85°C



P.C.B. LAYOUT



3	Shell	1	Steel	T=0.30mm	80u" min. Nickel Plated
2	Contact	4	Brass	T=0.25mm	Contact area:0.8u" min. Gold Plated over 40u"Nickel min. Solder area:80u" min. Tin Plated over 40u"Nickel min.
1	Housing	1	P.B.T	UL 94-V0	K=Black or W=White
No.	Name	Q'ty	Material	Remarks & Thickness	Finish

TOLERANCE UNLESS OTHERWISE SPECIFIED	
LINEAR	ANGLE
X. ± 0.50	X° ±
.X ± 0.30	.X° ±
.XX ± 0.20	.XX° ±
.XXX±	.XXX° ±
APPD	
CHKD	
DRAW	Z
	MAR. 25'2014

PROJECTION	
UNITS	MM
SCALE	
SIZE	A4

GTK GOLD-TEK ELECTRIC CO., LTD.

TITLE: USB A Type Female Right Angle Dip

PART NO. UDRA04FT*NY-01

CAD NO. 1631

F:\PDF\SOC\SOC-0949

CPART NO.

SHEET 1 OF 1

圖面編號:GTKSD3087-A(1)