

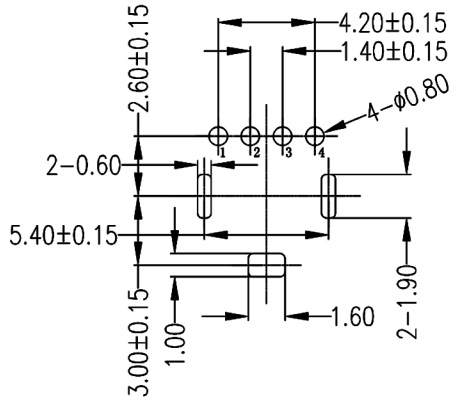
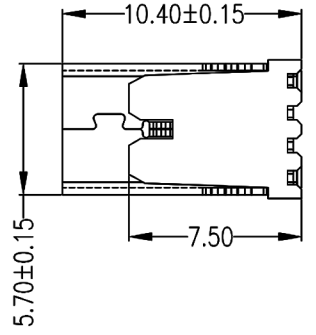
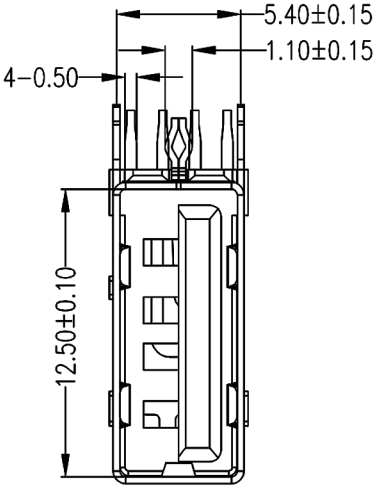
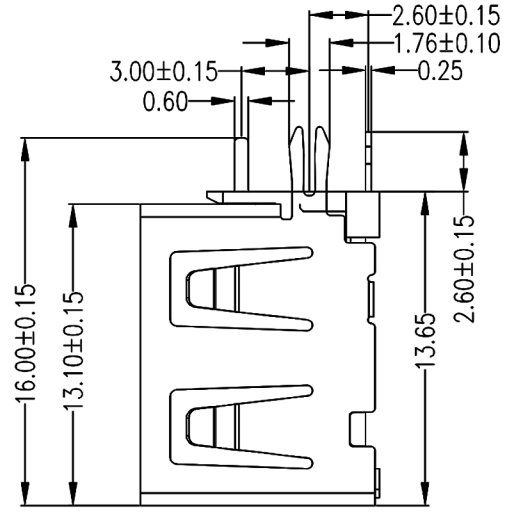
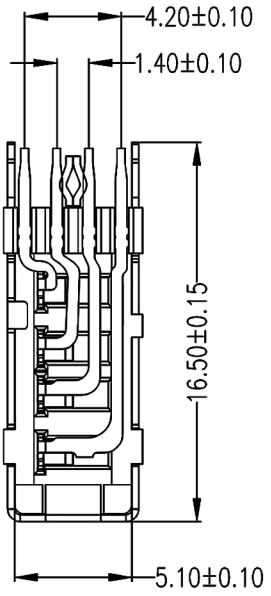
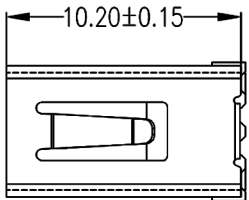
參考圖
REFERENCE

RoHS COMPLIANT

REV	ECN NO.	DESCRIPTION	DATE
1		Ref.	DEC. 20' 17

NOTES:

- Material:
 - Housing: PBT, UL94 V-0 Rated.
 - Color: Black.
 - Contact: Brass, C2680-EH, T=0.25mm.
 - Plating: Gold Plating over Nickel on Contact Area.
 - Tin Plating over Nickel on Solder Tail.
 - Shield: SPCC, T=0.30mm.
 - Plating: Nickel Plating.
- Mechanical:
 - Plug Extraction Force Shall Be Between 1.0Kgf and 2.0Kgf.
- Electrical Specification:
 - Rated Voltage: 500V AC/DC Max.
 - Current Rating: 2.0 Amp Max.
 - Contact Resistance: 30MΩ Max at 20mV 50mA.
 - Insulation Resistance: 1000MΩ Min at 500V DC/Minute.
 - Dielectric Voltage: 500VAC per Minute.
- Environmental:
 - Operating Temperature: -20°C to +85°C.



RECOMMENDED PCB LAYOUT
GENERAL TOLERANCES: ±0.05

TOLERANCE UNLESS OTHERWISE SPECIFIED		PROJECTION	GOLD-TEK ELECTRIC CO., LTD.	
LINEAR			TITLE	PART NO.
X. ±	X° ±		USB A TYPE FEMALE UPRIGHT R/A DIP, SHORT BODY(10.4MM)	UDLA104FTKNN
.XX ±	.XX° ±		CAD NO. 10138A	SHEET
.XXX ±	.XXX° ±			1 OF 1
APPD		SCALE	CPART NO.	
CHKD		SIZE		
DRAW		A4		

圖面編號: