

# NTC Thermistor: TTC03 Series



## Φ3mm Disc Type for Temperature Sensing/Compensation

### ■ Features

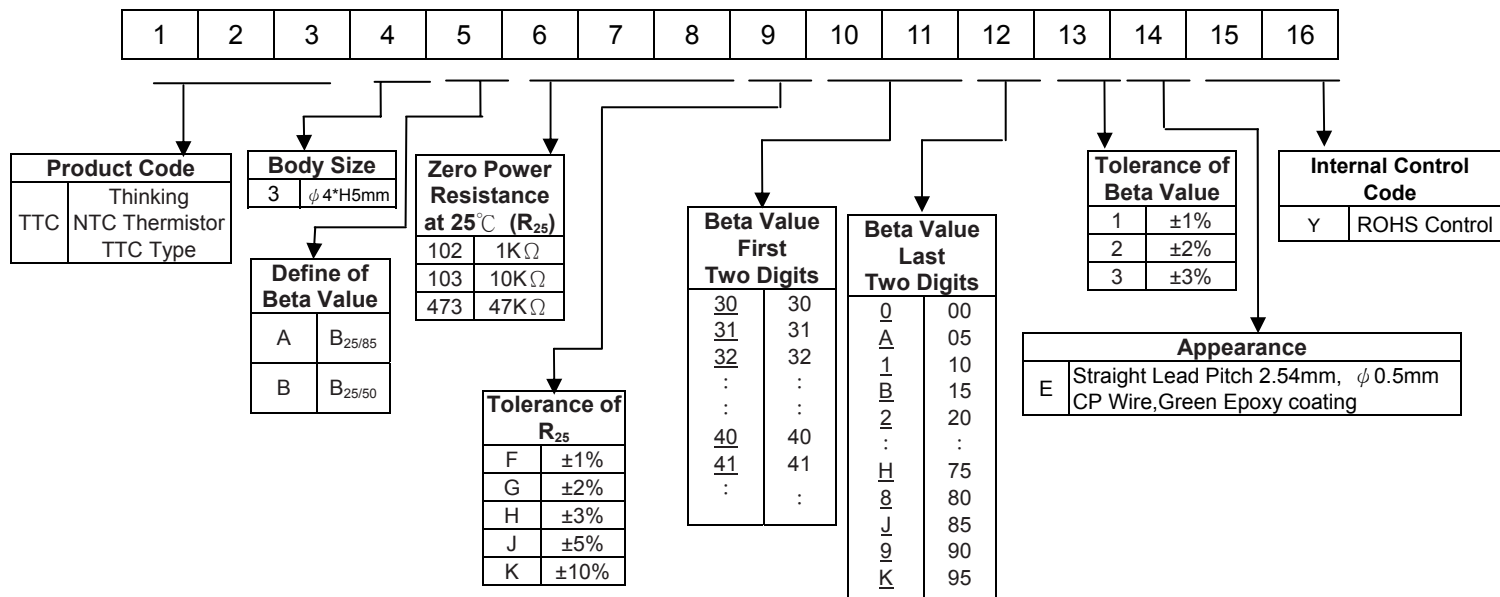
1. RoHS compliant
2. Body size Φ3mm
3. Radial lead resin coated
4. -40 ~ +125°C operating temperature range
5. Wide resistance range
6. Cost effective
7. Agency Recognition: UL /CQC



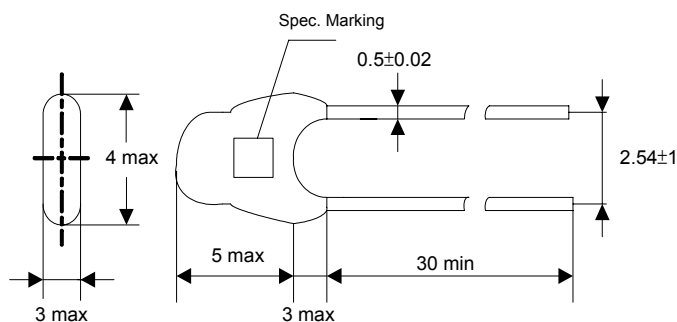
### ■ Recommended Applications

1. Home appliances (air conditioner, refrigerator, electric fan, electric cooker, washing machine, microwave oven, drinking machine, CTV, radio.)
2. Automotive electronics
3. Computers
4. Digital meter

### ■ Part No. Code



### ■ Dimensions



# NTC Thermistor: TTC03 Series



## Φ3mm Disc Type for Temperature Sensing/Compensation

### ■ Characteristics

Part no.	Zero power resistance at 25°C	Tolerance of resistance	B Value		Tolerance of B value	Max. power rating at 25°C	Thermal dissipation constant	Thermal time constant	Operating temperature range	Safety Approvals	
	R25 (KΩ)	( ±%)	(K)		(±%)	P <sub>max</sub> (mW)	δ(mW/°C)	τ(Sec.)	T <sub>L</sub> ~T <sub>U</sub> (°C)	UL	CQC
TTC3A901□39D*	0.9	1、2、3、 5、10	25/85	3935	1、2、3	150	≥2.5	≤18	-40~+125	√	√
TTC3A102□39D*	1			3935						√	√
TTC3A152□39D*	1.5			3935						√	√
TTC3A202□39H*	2			3975						√	√
TTC3A222□39H*	2.2			3975						√	√
TTC3A272□39H*	2.7			3975						√	√
TTC3A302□39H*	3			3975						√	√
TTC3A332□39H*	3.3			3975						√	√
TTC3A472□39H*	4.7			3975						√	√
TTC3A502□39H*	5			3975						√	√
TTC3A682□39H*	6.8			3975						√	√
TTC3A103□34D*	10			3435						√	√
TTC3A103□374*	10			3740						√	√
TTC3A103□39H*	10			3975						√	√
TTC3A123□374*	12			3740						√	√
TTC3A153□374*	15			3740						√	√
TTC3A203□374*	20			3740						√	√
TTC3A223□374*	22			3740						√	√
TTC3A333□409*	33			4090						√	√
TTC3A473□409*	47			4090						√	√
TTC3A503□39H*	50			3975						√	√
TTC3A503□406*	50			4060						√	√
TTC3A683□419*	68			4190						√	√
TTC3A104□419*	100			4190						√	√
TTC3A154□437*	150			4370						√	√
TTC3A224□437*	220			4370						√	√
TTC3A334□457*	330			4570						√	√
TTC3A474□457*	470			4570						√	√

Note 1: □ = Tolerance of resistance

Note 2: \* = Tolerance of B value

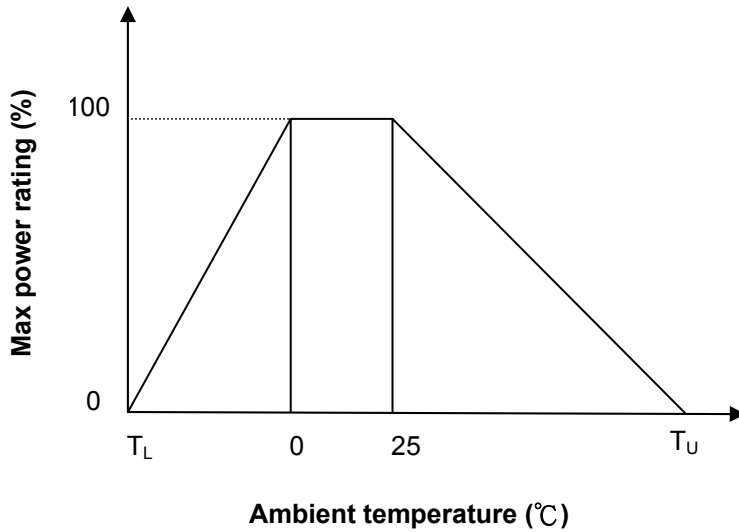
Note 3: UL File No.E138827 CQC File No. 04001011966

# NTC Thermistor: TTC03 Series



## Φ3mm Disc Type for Temperature Sensing/Compensation

### ■ Maximum power rating (Pmax)



$T_U$  : Maximum operating temperature

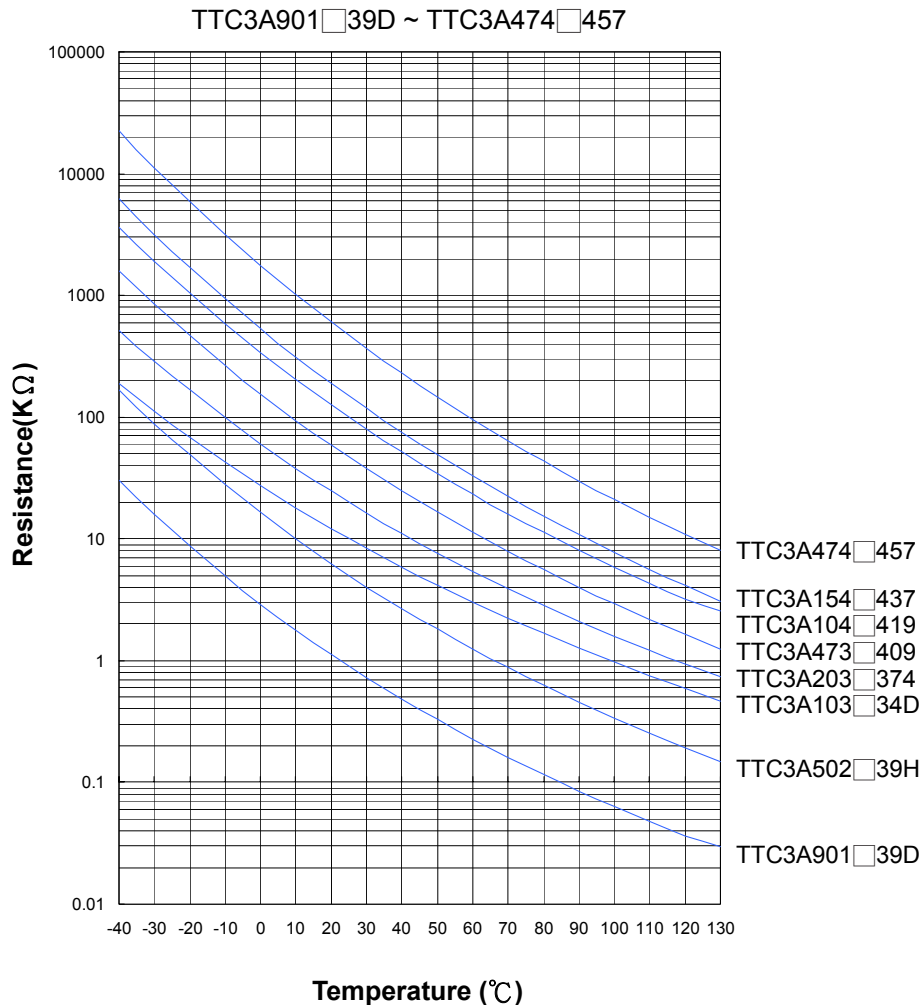
$T_L$  : Minimum operating temperature

For example : Ambient temperature( $T_a$ )=55°C

Maximum operating temperature( $T_u$ )= 125°C

$P_{T_a} = (T_u - T_a) / (T_u - 25) \times P_{max} = 70\% P_{max}$

### ■ R-T characteristic curve (representative)



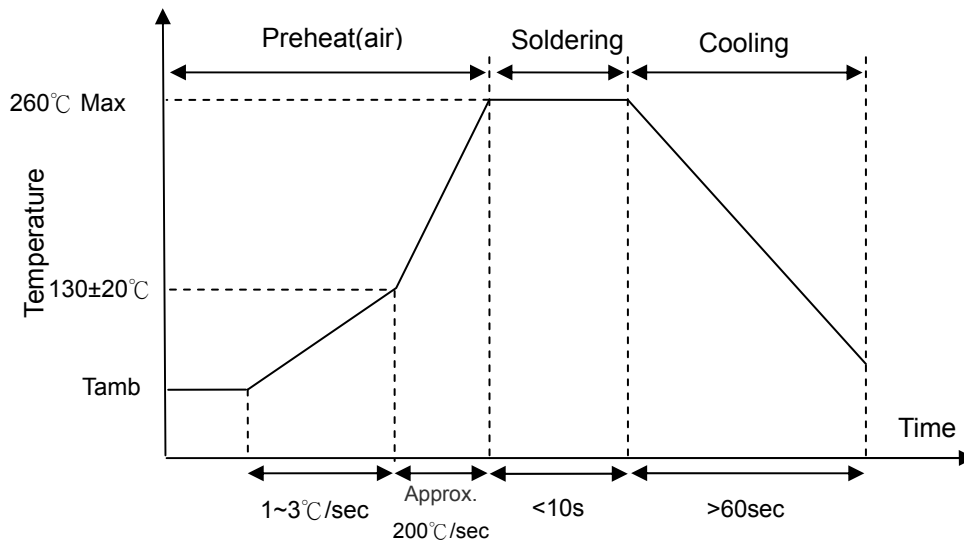
# NTC Thermistor: TTC03 Series



## Φ3mm Disc Type for Temperature Sensing/Compensation

### ■ Soldering Recommendation

#### ● Wave Flow Soldering Profile



#### ● Reworking Conditions With Soldering Iron

Item	Conditions
Temperature of Soldering Iron-tip	360°C (max.)
Distance from thermistor	2 mm (min.)
Soldering Time	3 sec (max.)

# NTC Thermistor: TTC03 Series



## Φ3mm Disc Type for Temperature Sensing/Compensation

### ■ Reliability test

Item	Standard	Test Conditions / Methods	Specifications															
Tensile Strength of Terminations	IEC 60068-2-21	<p>Gradually applying the force specified below to each terminal and keeping the unit fixed for 10±1 sec</p> <table border="1"> <thead> <tr> <th>Terminal diameter (mm)</th> <th>Force (Kg)</th> </tr> </thead> <tbody> <tr> <td>0.3&lt;d≤0.5</td> <td>0.5</td> </tr> <tr> <td>0.5&lt;d≤0.8</td> <td>1.0</td> </tr> </tbody> </table>	Terminal diameter (mm)	Force (Kg)	0.3<d≤0.5	0.5	0.5<d≤0.8	1.0	No visible damage									
Terminal diameter (mm)	Force (Kg)																	
0.3<d≤0.5	0.5																	
0.5<d≤0.8	1.0																	
Bending Strength of Terminations	IEC 60068-2-21	<p>Hanging the force specified below to each terminal and gradually bending each terminal by 90° in one direction, then 90° in the opposite direction, and again back to the origin.</p> <table border="1"> <thead> <tr> <th>Terminal diameter (mm)</th> <th>Force (Kg)</th> </tr> </thead> <tbody> <tr> <td>0.3&lt;d≤0.5</td> <td>0.25</td> </tr> <tr> <td>0.5&lt;d≤0.8</td> <td>0.5</td> </tr> </tbody> </table>	Terminal diameter (mm)	Force (Kg)	0.3<d≤0.5	0.25	0.5<d≤0.8	0.5	No visible damage									
Terminal diameter (mm)	Force (Kg)																	
0.3<d≤0.5	0.25																	
0.5<d≤0.8	0.5																	
Solderability	IEC 60068-2-20	235 ± 5°C , 2 ± 0.5 sec	At least 95% of terminal electrode is covered by new solder															
Resistance to Soldering Heat	IEC 60068-2-20	260 ± 5°C , 10 ± 1sec	No visible damage   ΔR/R   ≤ 3 %															
High Temperature Storage	IEC 60068-2-3 UL1434	125 ± 5°C x 1000 ± 24HRS	No visible damage   ΔR/R   ≤ 5 %															
Damp Heat	IEC 60068-2-3 UL1434	40 ± 2°C , 90~95% RH , 1000 ± 24HRS	No visible damage   ΔR/R   ≤ 3 %															
Thermal Shock	IEC 60068-2-14 UL1434	<p>The thermal shock conditions shown below shall be repeated 5 cycles</p> <table border="1"> <thead> <tr> <th>Step</th> <th>Temperature (°C)</th> <th>Period (minutes)</th> </tr> </thead> <tbody> <tr> <td>1</td> <td>-40±5</td> <td>30±3</td> </tr> <tr> <td>2</td> <td>Room temperature</td> <td>5±3</td> </tr> <tr> <td>3</td> <td>125±5</td> <td>30±3</td> </tr> <tr> <td>4</td> <td>Room temperature</td> <td>5±3</td> </tr> </tbody> </table>	Step	Temperature (°C)	Period (minutes)	1	-40±5	30±3	2	Room temperature	5±3	3	125±5	30±3	4	Room temperature	5±3	No visible damage   ΔR/R   ≤ 3 %
Step	Temperature (°C)	Period (minutes)																
1	-40±5	30±3																
2	Room temperature	5±3																
3	125±5	30±3																
4	Room temperature	5±3																
Life Test	CNS5550	25 ± 5°C , Pmax. X 1000 ± 24HRS	No visible damage   ΔR/R   ≤ 5 %															

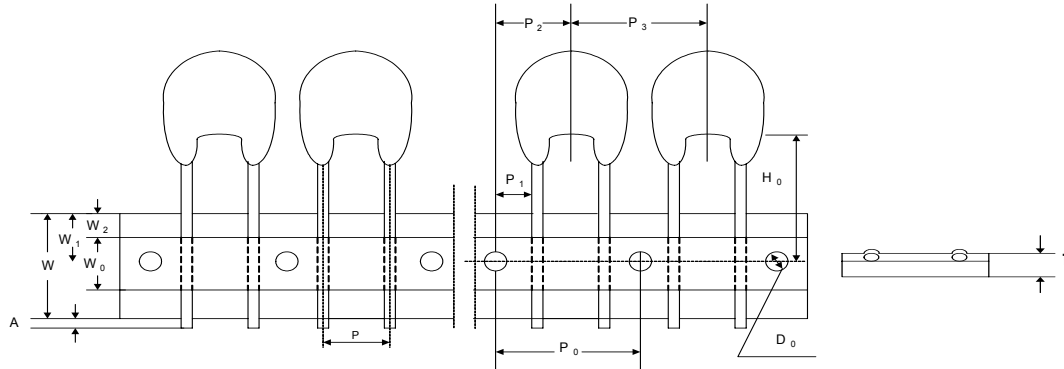
# NTC Thermistor: TTC03 Series



## Φ3mm Disc Type for Temperature Sensing/Compensation

### ■ Packaging

#### ● Taping Specification



(Unit:mm)

Taping Code	$P_0 \pm 1$	$P_3 \pm 1$	$P_1 \pm 1$	$P_2 \pm 1.3$	$H_0 \pm 1$	$W_0 \pm 1$	$W_1 \pm 1$	$W_2(\max)$	$W \pm 1$	Amax	$D_0 \pm 0.2$	$P \pm 1.0$	$t \pm 0.2$
A ( $P_0=12.7$ )	12.7	12.7	4.83	6.35	20	12	9	3	18	1	4	2.54	0.6
E ( $P_0=15.0$ )	15.0	15.0	5.98	7.50	20	12	9	3	18	1	4	2.54	0.6

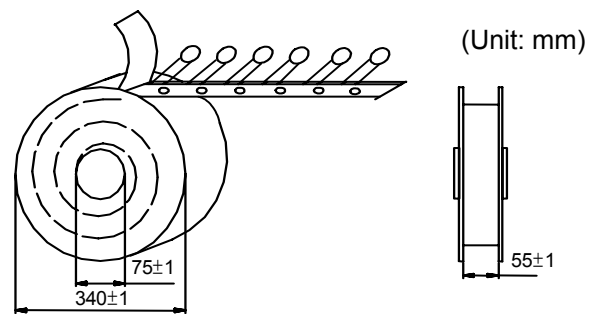
### ■ Quantity

#### ● Bulk Packing

Disc Size/mm	Quantity (PCS/Bag)
Φ03	500

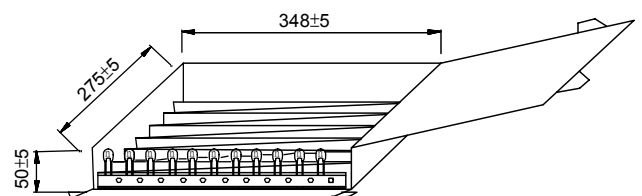
#### ● Reel Packing

Disc Size/mm	Quantity (PCS/Reel)
Φ03 For Pitch 12.7 mm	2500



#### ● Ammo packing

Disc Size/mm	Quantity (PCS/Box)
Φ03 For Pitch 12.7 mm	2500



# NTC Thermistor: TTC03 Series



## Φ3mm Disc Type for Temperature Sensing/Compensation

---

### ■ Storage condition of products

(I) Storage Conditions :

1.Storage Temperature :  $-10^{\circ}\text{C} \sim +40^{\circ}\text{C}$

2.Relative humidity :  $\leq 75\% \text{RH}$

3.Thermistors must be kept away from sunlight and stored in a non-corrosive atmosphere.

(II) Period of Storage : 1 year