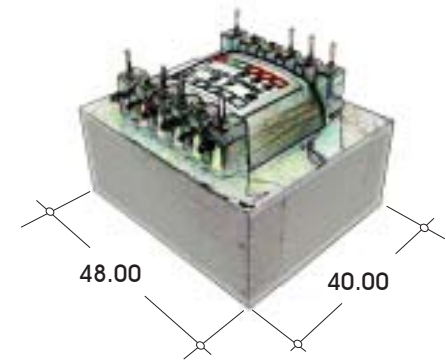
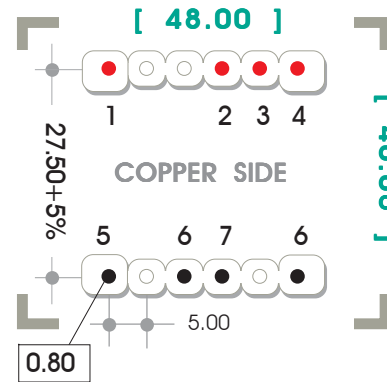
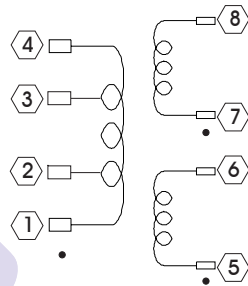


Customer : ELETTRONIC SOURCE
 Item under test : C163001
 Issue Date : 01/07/2020
 Revision : 1
 Primary Voltage : 220V50~60Hz.
 Secondary (Regulation) : 10.8V0.20AX2 : 10%



Height 38 mm.
 Weight 300 gm.

LINE INPUT CONTROL :

- INSTEK APS-9510 AC POWER SOURCE
- METREL HSN260/10 M250 VARIABLE VOLTAGE CONTROLLER

INPUT MONITOR :

- HIOKI 3332 (POWER ANALYZER)

OUTPUT MONITOR :

- HIOKI 3237 (DIGITAL MULTIMETER)
- HIOKI 3283 (CURRENT)

DCR MONITOR :

- HIOKI 3540 (MILLI-OHM METER)

HIPOT :

- KIKUSUI TOS 5051 (HI VOLT)
- INSTEK GPI-725A (HI VOLT / INSULATION)

INSULATION :

- KIKUSUI TOS 7200



Primary Section

Term. No.	No Load		Full load		DCR Ohm	Hi-Pot 2.0 KV Insulation >500Mohm			
	mA.	Watt	mA.	Watt		Pri-Sec	Pri-Core	Pri-Sec	Pri-Core
1-4	8.28	0.49	31.6	5.0	460	✓	✓	✓	✓

Secondary Section (AC)

Term. No.	No Load		Full load		DCR Ohm	Hi-Pot 2.0 KV Insulation >500Mohm			
	Voltage	mA.	Voltage	Watt		Sec-Pri	Sec-Core	Sec-Pri	Sec-Core
5-6	10.78	200	9.67	1.92	2.73	✓	✓	✓	✓
7-8	10.78	200	9.67	1.92	2.75				

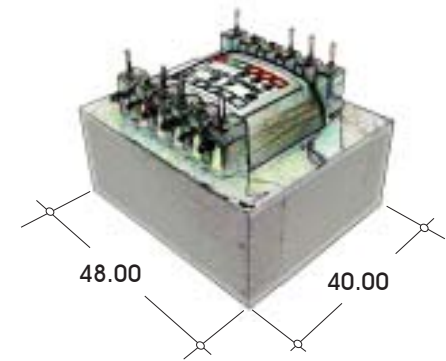
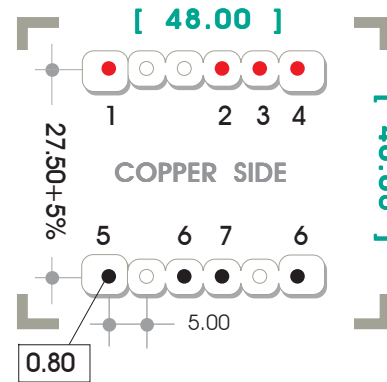
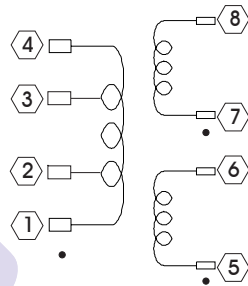
Note :

- 1) DCR at Ambient temperature 20°C
- 2) Voltage testing on full load for 0.5 Hours
- 3) Hi-Pot trip current set to 1 mA. for 5 Sec.
- 4) Insulation by DC 1000 V for 10 sec.
- 5) Supply Voltage under test = AC 220V50Hz.
- 6) Measurements are subject to a toleration of ±5%

01/07/2020

(V.Tan.)
 BANGKOK TRANSTEK LTD.,PART.

Customer : ELETTRONIC SOURCE
 Item under test : C163001
 Issue Date : 01/07/2020
 Revision : 1
 Primary Voltage : 220V50~60Hz.
 Secondary (Regulation) : 11.8V0.20A : 9.7%



Height 38 mm.
 Weight 300 gm.

LINE INPUT CONTROL :

- INSTEK APS-9510 AC POWER SOURCE
- METREL HSN260/10 M250 VARIABLE VOLTAGE CONTROLLER

INPUT MONITOR :

- HIOKI 3332 (POWER ANALYZER)

OUTPUT MONITOR :

- HIOKI 3237 (DIGITAL MULTIMETER)
- HIOKI 3283 (CURRENT)

DCR MONITOR :

- HIOKI 3540 (MILLI-OHM METER)

HIPOT :

- KIKUSUI TOS 5051 (HI VOLT)
- INSTEK GPI-725A (HI VOLT / INSULATION)

INSULATION :

- KIKUSUI TOS 7200



Primary Section

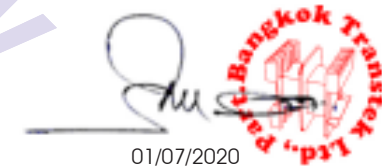
Term. No.	No Load		Full load		DCR Ohm	Hi-Pot 2.0 KV Insulation >500Mohm			
	mA.	Watt	mA.	Watt		Pri-Sec	Pri-Core	Pri-Sec	Pri-Core
1-3	12.1	0.58	34.57	5.47	418	✓	✓	✓	✓

Secondary Section (AC)

Term. No.	No Load		Full load		DCR Ohm	Hi-Pot 2.0 KV Insulation >500Mohm			
	Voltage	mA.	Voltage	Watt		Sec-Pri	Sec-Core	Sec-Pri	Sec-Core
5-6	11.8	200	10.6	2.1	2.73	✓	✓	✓	✓
7-8	11.8	200	10.6	2.1	2.75				

Note :

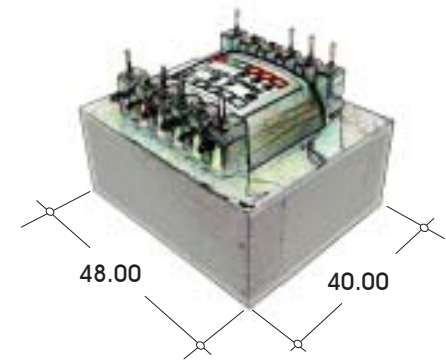
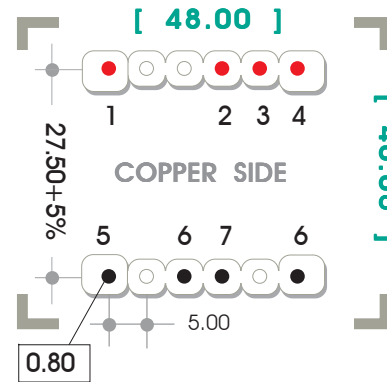
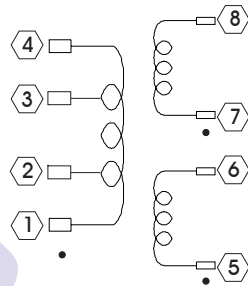
- 1) DCR at Ambient temperature 20°C
- 2) Voltage testing on full load for 0.5 Hours
- 3) Hi-Pot trip current set to 1 mA. for 5 Sec.
- 4) Insulation by DC 1000 V for 10 sec.
- 5) Supply Voltage under test = AC 220V50Hz.
- 6) Measurements are subject to a toleration of ±5%



01/07/2020

(V.Tan.)
 BANGKOK TRANSTEK LTD.,PART.

Customer : ELETTRONIC SOURCE
 Item under test : C163001
 Issue Date : 01/07/2020
 Revision : 1
 Primary Voltage : 220V50~60Hz.
 Secondary (Regulation) : 12.8V0.20A : 9.3%



Height 38 mm.
Weight 300 gm.

LINE INPUT CONTROL :

- INSTEK APS-9510 AC POWER SOURCE
- METREL HSN260/10 M250 VARIABLE VOLTAGE CONTROLLER

INPUT MONITOR :

- HIOKI 3332 (POWER ANALYZER)

OUTPUT MONITOR :

- HIOKI 3237 (DIGITAL MULTIMETER)
- HIOKI 3283 (CURRENT)

DCR MONITOR :

- HIOKI 3540 (MILLI-OHM METER)

HIPOT :

- KIKUSUI TOS 5051 (HI VOLT)
- INSTEK GPI-725A (HI VOLT / INSULATION)

INSULATION :

- KIKUSUI TOS 7200



Primary Section

Term.	No Load		Full load		DCR	Hi-Pot 2.0 KV Insulation >500Mohm					
	No.	mA.	Watt	mA.		Watt	Ohm	Pri-Sec	Pri-Core	Pri-Sec	Pri-Core
1-2	16.93	0.68	37.54	5.96	384	✓	✓	✓	✓		

Secondary Section (AC)

Term.	No Load		Full load		DCR	Hi-Pot 2.0 KV Insulation >500Mohm					
	No.	Voltage	mA.	Voltage		Watt	Ohm	Sec-Pri	Sec-Core	Sec-Pri	Sec-Core
5-6	12.8	200	11.6	2.25	2.73	✓	✓	✓	✓		
7-8	12.8	200	11.6	2.25	2.75						

Note :

- 1) DCR at Ambient temperature 20°C
- 2) Voltage testing on full load for 0.5 Hours
- 3) Hi-Pot trip current set to 1 mA. for 5 Sec.
- 4) Insulation by DC 1000 V for 10 sec.
- 5) Supply Voltage under test = AC 220V50Hz.
- 6) Measurements are subject to a toleration of ±5%

01/07/2020

(V.Tan.)
BANGKOK TRANSTEK LTD.,PART.