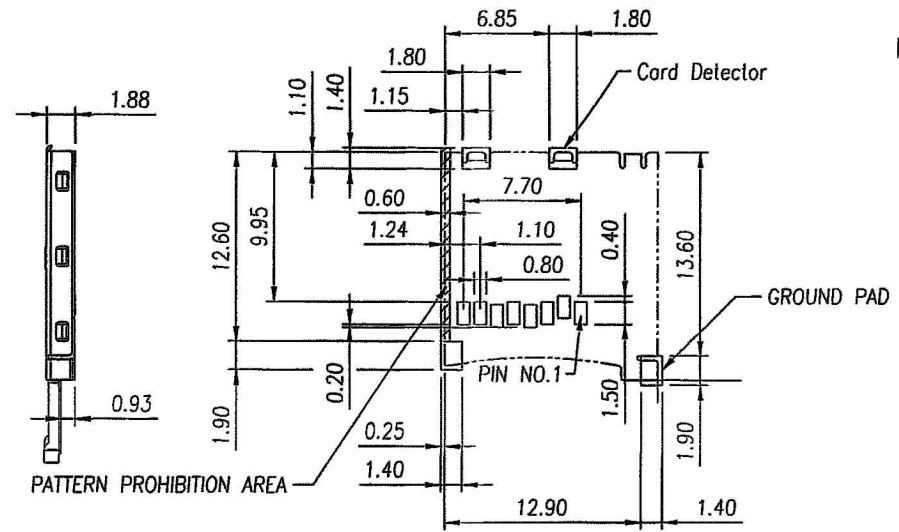
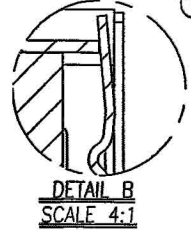
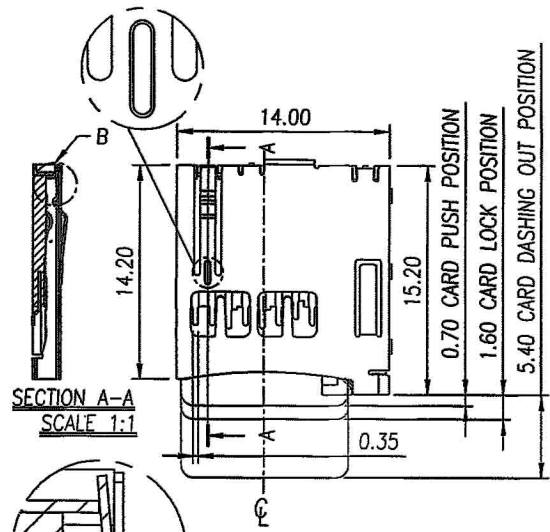


RoHS COMPLIANT

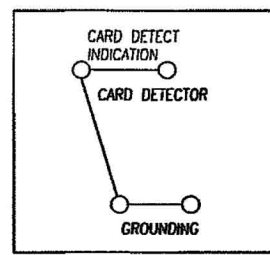
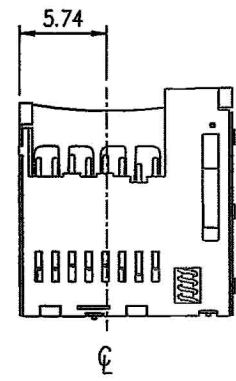
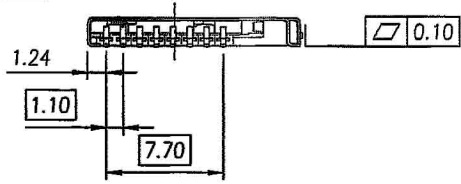
REV	ECN NO.	DESCRIPTION	DATE
A		RELEASE	AUG. 12'13



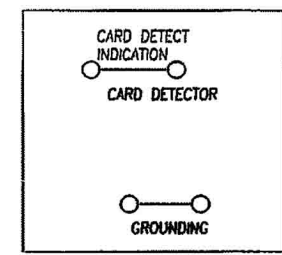
P.C.B Layout ( Top View )

NOTES:

- Material:  
 Housing: Thermoplastic UL94V-0  
 Color: Black (Comply to SONY SS-00259)  
 Push Bar: Thermoplastic UL94V-0  
 Color: Black (Comply to SONY SS-00259)  
 Contact: Phosphor Bronze.  
 Tin 100u" on Solder Tail, Gold Flash on Contact Area Plating (Comply to SONY SS-00259)  
 Shell: SUS 304.t=0.15mm.(Comply to SONY SS-00259)
- Within the 0.3mm high above the shell, it's the function area and please don't do any design for mechanism.
- This product applies to the mechanical specification version 1.0 of SanDisk TransFlash Memory Module.
- Operating Temperature : -40°C TO +85°C  
 Storage Temperature Range : -40°C TO +85°C



WITHOUT CARD



CARD INSERTED

T-FLASH	
PIN	NAME
1	DAT2
2	CD/DAT3
3	CMD
4	VDD
5	CLK
6	VSS2
7	DAT0
8	DAT1

TOLERANCE UNLESS OTHERWISE SPECIFIED		PROJECTION 
LINEAR	ANGLE	
X. ±	X° ±	UNITS MM
.X ± 0.20	.X° ±	
.XX ± 0.10	.XX° ±	SCALE
.XXX±	.XXX° ±	
APPD		SIZE A4
CHKD		
DRAW	Z	AUG. 12'2013

**GTK GOLD-TEK ELECTRIC CO., LTD.**

TITLE: T-Flash Card Conn. Push-Push (Normal Close)  
 CPART NO.

PART NO. **TFMS08TK-PP-02**  
 CAD NO. I025  
**F:\PDF\CF\CF-0073**

SHEET 1 OF 1

圖面編號: **GTKSD3046-A(1)**