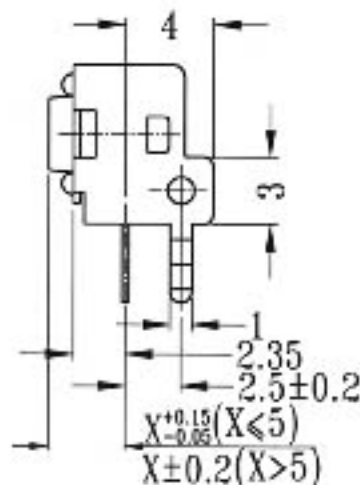
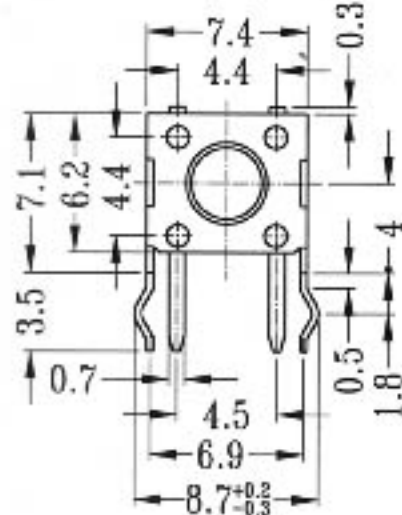
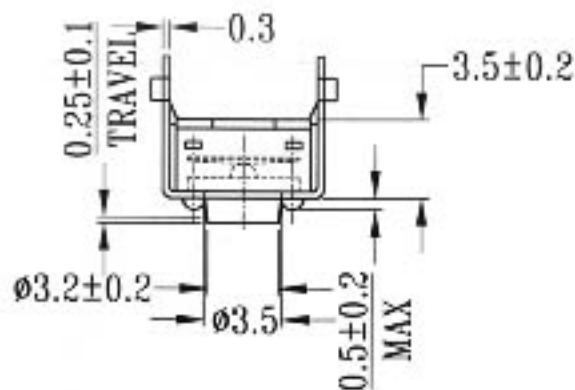
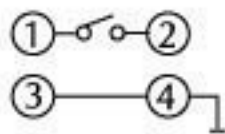


TC-0202 SERIES



CIRCUIT DIAGRAM



SPECIFICATIONS

1. RATING : DC 12V 50mA
2. TRAVEL : 0.25 ± 0.1 mm
3. CONTACT RESISTANCE 100 mΩ MAX.

MODEL NO.	Stem length(mm)
TC-0202	3.15
TC-0203	3.85
TC-0204	5.85
TC-0205	8.35
TC-0206	6.85
TC-0207	11.35
TC-0208	6.15
TC-0209	11.85
TC-0210	12.35

CODE	OPERATING FORCE (gf)
T	100 ± 30
V	130 ± 30
X	160 ± 50
W	170 ± 50
Y	190 ± 50
Z	250 ± 100

