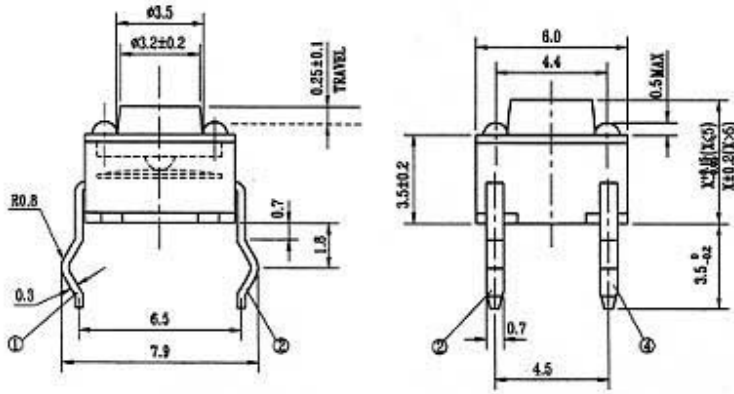


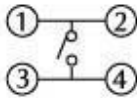
TC-0102 SERIES



MODEL NO.	Stem length(mm)
TC-0102	4.3
TC-0103	5
TC-0104	7
TC-0105	7.3
TC-0106	8
TC-0107	8.5
TC-0108	9.5
TC-0109	12.5
TC-A109	13.0
TC-0110	13.5
TC-0111	17

CODE	OPERATING FORCE (gf)
T	100 ± 30
V	130 ± 30
X	160 ± 50
W	170 ± 50
Y	190 ± 50
Z	250 ± 100
N	350 ± 100

CIRCUIT DIAGRAM



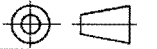
SPECIFICATIONS

1. RATING : DC 12V 50mA
2. TRAVEL : 0.25 ± 0.1mm
3. CONTACT RESISTANCE 100 mΩ MAX

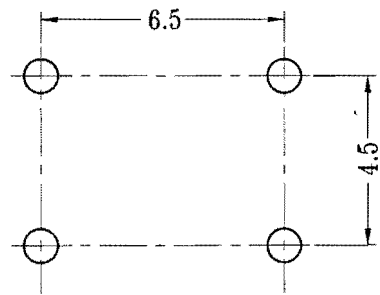
WEALTH METAL FACTORY LTD.

Return

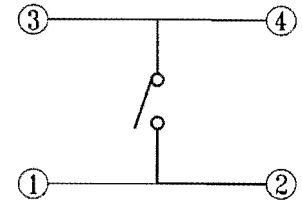




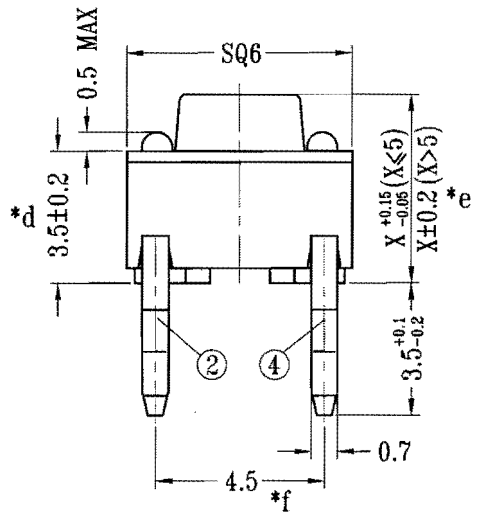
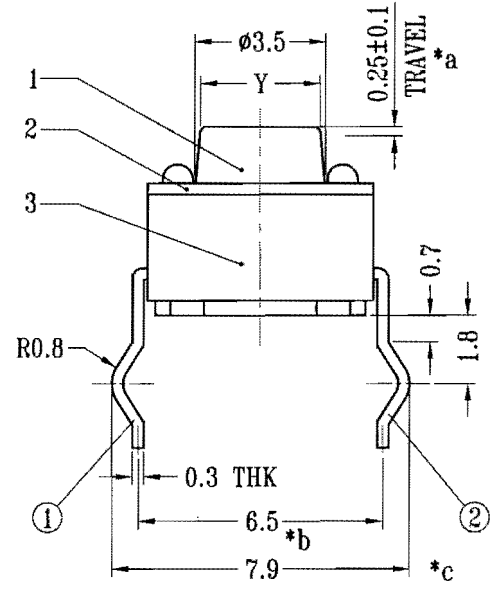
CAD FILE:



P.C.B LAYOUT
BOTTOM VIEW



SCHEMATIC



注：“*”表示关键尺寸(6个)

TC-0111	TC0111	17.0	φ2.7
TC-0110	TC0110	13.5	φ3.2
TC-G109	TCG109	14.0	φ3.1
TC-B109	TCB109	11.0	φ3.2
TC-A109	TCA109	13.0	φ3.3
TC-0109	TC0109	12.5	φ3.0
TC-B108	TCB108	10.5	φ3.2
TC-0108	TC0108	9.5	φ3.3
TC-A107	TCA107	9.0	φ3.1
TC-0107	TC0107	8.5	φ3.1
TC-0106	TC0106	8.0	φ3.3
TC-0105	TC0105	7.3	φ3.3
TC-0104	TC0104	7.0	φ3.3
TC-G103	TCG103	5.5	φ3.4
TC-A103	TCA103	6.0	φ3.4
TC-0103	TC0103	5.0	φ3.4
TC-0102	TC0102	4.3	φ3.5
TC-0101	TC0101	4.2	φ3.5
MODEL NO.	KNOB TYPE	X	Y

8									
7									
6									
5									
4	CONTACT	PBS C5210R-EH	1	Ag CLAD					
3	CASE	NYLON+F.G/BRASS STRIP	1	BLACK/Ag PLATED OVER Ni PLATED					
2	COVER	STEEL STRIP/PET	1	Ni PLATED/CLEAR					
1	KNOB	NYLON+F.G	1	BLACK/RED					
NO.	PARTS	MATERIALS	Q'TY	FINISH	WEALTH METAL FACTORY LTD.				

TOLERANCE UNLESS SPECIFIED				
WITHIN 1.5mm	: ±0.1mm	E	03-May-2012	
OVER 1.5mm	: ±0.2mm	ISSUE	DATE	
TITLE : TACT SWITCH		UNIT : mm		DRWG NO.: TT-DR-TC0101-00
MODEL: TC-0101~0111		SCALE: 5:1		DWN. 甘胜君 03-May-2012
		APPD. 叶满根		3-May-2012

增加明细表: APPD. 叶满根 3-May-2012